

512A

512

A

نام :

نام خانوادگی :

محل امضاء :

دفترچه شماره ۱  
صبح جمعه  
۹۳/۱۱/۱۸



جمهوری اسلامی ایران  
وزارت علوم، تحقیقات و فناوری  
سازمان سنجش آموزش کشور

اگر دانشگاه اصلاح شود مملکت اصلاح می‌شود.  
امام خمینی (ره)

## آزمون ورودی دوره‌های کارشناسی ارشد ناپیوسته داخل - سال ۱۳۹۳

مجموعه مهندسی کامپیوتر - کد ۱۲۷۷

مدت پاسخگویی: ۱۵۰ دقیقه

تعداد سؤال: ۷۳

عنوان مواد امتحانی، تعداد و شماره سؤالات

ردیف	مواد امتحانی	تعداد سؤال	از شماره	تا شماره
۱	زبان عمومی و تخصصی (انگلیسی)	۳۰	۱	۳۰
۲	ریاضیات (ریاضیات مهندسی، آمار و احتمالات، محاسبات عددی، ساختمان‌های گسسته)	۱۶	۳۱	۴۶
۳	دروس تخصصی مشترک (ساختمان داده‌ها، نظریه زبانها و ماشینها، مدارهای منطقی، معماری کامپیوتر، سیستم عامل)	۲۷	۴۷	۷۳

بهمن ماه سال ۱۳۹۲

استفاده از ماشین حساب مجاز نمی‌باشد.

این آزمون دارای نمره منفی است.

حق چاپ و تکثیر سؤالات پس از برگزاری آزمون برای تمامی اشخاص حقیقی و حقوقی تنها با مجوز این سازمان مجاز می‌باشد و با متخلفین برابر مقررات رفتار می‌شود.

### Part A: Vocabulary

**Directions:** Choose the word or the phrase (1), (2), (3), or (4) that best completes each sentence. Then mark your answer sheet.

- 1- The two groups of students should be taught differently in that their learning needs are quite \_\_\_\_\_.  
1) bizarre                      2) distinct                      3) stable                      4) reckless
- 2- This mildly picaresque novel \_\_\_\_\_ a boy's flight from prep school to an eventful weekend in a big city.  
1) recounts                      2) accumulates                      3) asserts                      4) restricts
- 3- The two companies worked in \_\_\_\_\_ and lowered their prices to make their rival company collapse.  
1) ambivalence                      2) validity                      3) chaos                      4) collusion
- 4- The U.S. was accused of \_\_\_\_\_ international efforts to combat global warming.  
1) regretting                      2) convicting                      3) undermining                      4) accelerating
- 5- Richard is so \_\_\_\_\_ that his diet consists almost exclusively of catfish and chicken liver-the two most inexpensive foods in the store.  
1) frugal                      2) timid                      3) selective                      4) astute
- 6- Even after traveling 62 miles, the \_\_\_\_\_ runner kept on moving.  
1) congenial                      2) indefatigable                      3) flimsy                      4) indifferent
- 7- As we traveled to college for the first time, the family car was laden with books, clothing, \_\_\_\_\_, and other necessities.  
1) warehouses                      2) amenities                      3) fragments                      4) appliances
- 8- When Eileen \_\_\_\_\_ me to a fight, I could see the hatred in her eyes.  
1) strengthened                      2) derived                      3) challenged                      4) justified
- 9- People like to be around George because he is so \_\_\_\_\_ and good-natured, so it comes as no surprise that he has so many good friends.  
1) affable                      2) sarcastic                      3) superficial                      4) half-hearted
- 10- The new tax policy was criticized in that it was argued that the rich were actually the main \_\_\_\_\_ of the tax cuts.  
1) hedonists                      2) savants                      3) benefactors                      4) beneficiaries

### Part B: Cloze Passage

**Directions:** Read the following passage and decide which choice (1), (2), (3), or (4) best fits each space. Then mark your answer sheet.

Quantum teleportation exploits some of the most basic (and peculiar) features of quantum mechanics, (11) \_\_\_\_\_ in the first quarter of the 20th century to explain (12) \_\_\_\_\_ at the level of individual atoms. (13) \_\_\_\_\_ the beginning, theorists realized that quantum physics led to a plethora of new phenomena, (14) \_\_\_\_\_ defy common sense. Technological progress in the final quarter of the 20th century has enabled researchers to conduct many experiments that not only demonstrate fundamental, sometimes bizarre aspects of quantum mechanics but, (15) \_\_\_\_\_ in the case of quantum teleportation, apply them to achieve previously inconceivable feats.

- 11- 1) invented a branch of physics                      2) a branch of physics invented  
3) a branch of physics was invented                      4) that invented a branch of physics
- 12- 1) occurrence in processes                      2) that processes that occur  
3) processes that occur                      4) processes of occurrence
- 13- 1) Since                      2) Of                      3) From                      4) For
- 14- 1) some of which                      2) some of them                      3) some of those                      4) of them some
- 15- 1) also                      2) as                      3) like                      4) such a



**Directions:** Read the following passages and answer the questions by choosing the best choice (1), (2), (3), or (4). Then mark the correct choice on your answer sheet.

**Passage 1:**

Driven by a new generation of wireless devices, user data traffic and the corresponding network load are increasing in an exponential manner. As a result, conventional homogeneous cellular deployments that are devised to cater to large coverage areas and optimized for homogeneous traffic are facing unprecedented challenges to meet the increasing demands. In order to enhance network capacity, there has been an increasing interest in deploying relays, distributed antennas, and small cells (such as picocells and femtocells) underlying current macrocell networks. Such network deployments are commonly referred to as heterogeneous and small cell networks (HetSNets). By deploying small cells within the local-area range and bringing the network closer to end-users, HetSNets can potentially improve spatial resource reuse and communication coverage, thus allowing future cellular networks to achieve higher data rates, while retaining the seamless connectivity and mobility of current cellular network deployments.

HetSNets inspire new challenges on resource management, signal processing, and security in the design of cellular systems. In many settings, HetSNets will require development of decentralized algorithms and autonomous operations of nodes, because of the delays and overhead in the backhaul connections between the nodes. Novel approaches for interference coordination and mitigation algorithms considering the characteristics of heterogeneous network interference will also become important. Cognitive radio techniques become more practical by viewing the macrocell network as the primary user and the second-tier network as the secondary user. This special issue aims to bring together contributions from academic and industrial researchers in the area of signal processing and resource management for wireless communications with an emphasis on heterogeneous networks.

- 16- The term “conventional” underlined in the provided text refers to:  
1) Partial                      2) Typical                      3) Social                      4) Radical
- 17- According to the provided text, exponential growth of data traffic is due to:  
1) Heterogenous networks deployment need.  
2) Role of devices in macrocell, picocells and femtocells.  
3) Security signalling overhead for data protection and privacy.  
4) Wireless communication coverage on heterogoneous networks.
- 18- The underline term “unprecedented” in the provided text yields:  
1) Groundbreaking      2) Worldbreaking      3) Mindstoriming      4) Upcoming
- 19- Which one of the following statements is FALSE:  
1) Size of cells are proportional to network capacity.  
2) Network capacity can be increased by increasing number of relays.  
3) Higher number of users support can be met by deployment of HetSNets.  
4) Seamless mobility and connectivity assures spatial resource management.
- 20- The underlined term “Autonomous” in the provided text means:  
1) Independent              2) Automatic              3) Autonomic              4) Driven

**Passage 2:**

The emerging smart energy system is expected to be a large-scale cyber-physical system that can improve the efficiency, reliability, and robustness of power and energy grids by integrating advanced techniques from power systems, control, communications, signal processing, and networking. For instance, advanced communications and networking technologies are expected to play a vital role in the future smart grid infrastructures by supporting two-way energy and information flow and enabling more efficient monitoring, control, and optimisation of different grid functionalities and smart power devices. The efficient design of the forthcoming smart grid system faces a plethora of challenges at different levels ranging from communications and networking to control and power systems.

Smart meters, which transmit radio frequencies (RF) to provide two-way secure communication of electricity usage data to the electric company, will begin to replace mechanical meters used in homes and businesses. These devices have raised concerns among some consumers about cybersecurity threats and RF's impact on human health.

Cybersecurity threats can cause disruptions in the flow of power and other problems if cyber intruders send computer signals to the electronic controls used in some electric generation and transmission infrastructures. The electric power industry takes cybersecurity threats very seriously. In fact, electric companies must meet mandatory cybersecurity standards that require them to implement training programs, address physical security, and formulate plans for how they will recovery from such attacks.

As the smart grid is built, electric companies are incorporating cybersecurity protections into both the grid architecture and the new smart grid technologies. The electric power industry is working closely with vendors, manufacturers, and government agencies to ensure that the smart grid is secure. These measures will also help to ensure that customer data remains protected from cybersecurity threats.

The bottom line is that security cannot be added to a system as an afterthought. Strategic consideration of these issues will make a huge difference in the confidence and protection that the overall system provides. This is necessary whether the design effort is focusing on silicon chips, network components, end-user devices, the architecture, or the system as whole. We need to start at the very beginning of any microgrid project and consider privacy and security in all design criteria.

**21- Bottom line, who is responsible to provide cybersecurity for smart grid systems?**

- 1) Silicon chip designers of microgrid projects.
- 2) Strategic consideration of electric companies
- 3) Vendors, government agencies and electric power industry
- 4) End-user devices, the architecture, RF channels and network components

**22- According to the provided text, which of the following statements is TRUE?**

- 1) A key role in the future smart grid infrastructure is advanced communications and networking technologies.
- 2) Networking and communication standard measures will help to ensure that customer data remains protected from cybersecurity threats.
- 3) Networking companies are incorporating cybersecurity protections into both the grid architecture and the new smart grid technologies.
- 4) Communications and networking to control and power systems in forthcoming smart grid system introduces no new challenges at different levels.



- 23- The underline term **“Disruption”** in the provided text yields:  
 1) Distressed                      2) Disordered                      3) Depression                      4) Deceased
- 24- The underline term **“Mandatory”** in the provided text means:  
 1) Updated                              2) Optional                              3) Obligatory                              4) Technical
- 25- To attack a smart grid system, cyber intruders can send \_\_\_\_\_ to control the infrastructure.  
 1) RF signals                      2) Security threat                      3) Computer signals                      4) Cybersecurity alarm

**Passage 3:**

Secure transactions across the Internet have three goals. Firstly, two parties engaging in a transaction (for instance, an email or a business order) do not want a third party to be able to read their communication messages. Therefore, some form of data encryption is necessary to prevent this issue. Secondly, the receiver of the message should be able to detect whether someone has tampered the message during the transmission process. This is called a message integrity scheme. Finally, both parties must know that they are communicating with each other, and not an intruder. This is done by means of user authentication techniques.

Today’s data encryption methods rely on a technique called public-key cryptography. Everyone using the public-key system holds a public-key and a private-key. Messages are encrypted and decrypted with these keys. In other words, an encrypted message with your public-key can only be decrypted by a system that knows your private-key.

For a communication system to work securely, two parties engaging in a secure transaction must be aware of each other’s public-keys. Private-keys, however, are closely guarded secret information known only to their owners. For instance, when I want to send you an encrypted message, I use your public-key to turn my message into gibberish. I know that only you can turn the gibberish back into the original message, as you are the only entity that holds your own private-key. Public-key cryptography also works in reverse; i.e., only your public-key can decipher your private-key’s encrypted message.

- 26- What is the best title for this passage?  
 1) Public-key vs. Private-key                      2) Safe Data Transfer  
 3) Data Encryption techniques                      4) Data Security Challenges
- 27- What is the best description for the underlined word **“gibberish”** as highlighted in the provided text?  
 1) Person pretending to be someone else                      2) Message authentication feature  
 3) Meaningless data                      4) Garbage
- 28- A message encrypted with the recipient’s public key can only be decrypted with:  
 1) The sender’s private-key                      2) The recipient’s private key  
 3) The sender’s public-key                      4) Both recipient’s and sender’s private key
- 29- Which one of the followings is not necessary to achieve a secure transaction via Internet?  
 1) Data encryption                      2) User authentication  
 3) Third party detection                      4) Message integrity scheme
- 30- Which system is commonly used for data encryption?  
 1) Data security system                      2) Data hiding system  
 3) Private-key system                      4) Public-key system

۳۱- پاسخ  $u(x, t)$  مسأله

$$u_{tt} = u_{xx}, \quad 0 < x < 1, \quad t > 0$$

$$u_x(0, t) = 0, \quad u(1, t) = 0$$

$$u(x, 0) = 0, \quad u_t(x, 0) = \sin x$$

عبارت است از:

$$\sum_{n=1}^{\infty} C_n \cos(n\pi t) \sin(n\pi x) \quad (1)$$

$$\sum_{n=1}^{\infty} C_n \sin(n\pi t) \cos(n\pi x) \quad (2)$$

$$\sum_{n=1}^{\infty} C_n \cos\left(\frac{(2n-1)\pi t}{2}\right) \sin\left(\frac{(2n-1)\pi x}{2}\right) \quad (3)$$

$$\sum_{n=1}^{\infty} C_n \sin\left(\frac{(2n-1)\pi t}{2}\right) \cos\left(\frac{(2n-1)\pi x}{2}\right) \quad (4)$$

۳۲- اگر  $f(z) = u(r, \theta) + iv(r, \theta)$  تابعی تحلیلی باشد و  $u = -r^3 \sin 3\theta$ ، تابع  $f(z)$  بر حسب  $z$  کدام است؟

$$z^3 + ik \quad (2) \qquad -z^3 + ik \quad (1)$$

$$-iz^3 + ik \quad (4) \qquad iz^3 + ik \quad (3)$$

۳۳- مقدار  $\oint_{C_r} \frac{e^z}{(z^2+1)(z-3)} dz$  که در آن  $C_r$  دایره‌ای به مرکز مبدأ و با شعاع  $r$  ثابت که در آن  $1 < r < 2$  باشد، کدام است؟

$$-\frac{\pi}{\Delta}(e^3 + 3 \sin 1)i \quad (2) \qquad -\frac{\pi}{\Delta}(\cos 1 + 3 \sin 1)i \quad (1)$$

$$\frac{\pi}{\Delta}(3 \cos 1 + \sin 1)i \quad (4) \qquad \frac{\pi}{\Delta}(\cos 1 + e^3)i \quad (3)$$

۳۴- در معادله‌ی انتگرالی  $\int_0^{\infty} f(\lambda) \sin \lambda x \, d\lambda = \begin{cases} \cos x & 0 < x < \pi \\ 0 & x > \pi \end{cases}$  تابع  $f(\lambda)$  کدام است؟

$$\frac{2}{\pi(\lambda^2-1)}(1-\cos \lambda \pi) \quad (2) \qquad \frac{2\lambda}{\pi(\lambda^2-1)}(1-\cos \lambda \pi) \quad (1)$$

$$\frac{2}{\pi(\lambda^2-1)}(1+\cos \lambda \pi) \quad (4) \qquad \frac{2\lambda}{\pi(\lambda^2-1)}(1+\cos \lambda \pi) \quad (3)$$

۳۵- متغیر تصادفی  $X$  دارای تابع احتمالی به صورت

$$f(x) = \begin{cases} 2e^{-2x} & x \geq 0 \\ 0 & \text{در سایر جاها} \end{cases}$$

است. مقدار  $P(|X - \mu| < 1)$  کدام است؟  
( $\mu$  میانگین متغیر تصادفی  $X$  است)

(۱)  $\frac{1}{e}$

(۲)  $e^{-2}$

(۳)  $\frac{1}{\sqrt{e}}$

(۴)  $1 - e^{-2}$

۳۶- متغیر تصادفی  $X$  دارای تابع احتمالی به صورت زیر است.

$$f(x) = \frac{1}{\pi(x^2 + 1)}, \quad x \in \mathbb{R}$$

مقدار  $P(\frac{1}{3} < X^2 < 1)$  کدام است؟

(۱)  $\frac{1}{6}$

(۲)  $\frac{5}{12}$

(۳)  $\frac{\pi}{6}$

(۴)  $\frac{\pi}{4}$

۳۷- متغیر تصادفی  $X$  دارای تابع احتمال زیر است.

$$f(x) = ce^{-a|x|}, \quad x \in \mathbb{R} \quad (a > 0)$$

مقدار ثابت  $c$  کدام است؟

(۱)  $\frac{2}{a}$

(۲)  $\frac{1}{a}$

(۳)  $\frac{a}{2}$

(۴)  $a$

۳۸- سه جعبه داریم که در جعبه اول ۳ مهره سفید و ۵ مهره سیاه، در جعبه دوم ۴ مهره سفید و ۴ مهره سیاه و در جعبه سوم ۶ مهره سفید و ۲ مهره سیاه است. جعبه‌ای را به تصادف انتخاب و سه مهره از این جعبه بیرون می‌آوریم. اگر مهره‌های انتخابی یک سفید و دو سیاه باشند، احتمال این که جعبه دوم انتخاب شده باشد، کدام است؟

$$(1) \frac{1}{5}$$

$$(2) \frac{2}{5}$$

$$(3) \frac{3}{5}$$

$$(4) \frac{4}{5}$$

۳۹- در یک دستگاه ممیز شناور نرمال شده برای نمایش اعداد حقیقی در مبنای ۷ با ۲ رقم مانتیس و روش بریدن، فاصله بین عدد ۷ (در مبنای ۱۰) و نزدیکترین عدد قابل نمایش دیگر چقدر است؟

$$(1) \frac{1}{7}$$

$$(2) \frac{6}{7}$$

$$(3) 1$$

$$(4) 7$$

۴۰- برای محاسبه جدول کسرهای تفاضلی وابسته به درونیایی  $(x_j, f_j)$  ( $i = 1, 2, \dots, n$ )، توسط یک چند جمله‌ای از درجه کوچکتر یا مساوی  $n$ ، تعداد کسرهای تفاضلی محاسبه شده مورد نیاز برابر است با:

$$(1) \frac{n(n-1)}{2}$$

$$(2) \frac{n(n+1)}{2}$$

$$(3) \frac{n^2}{2}$$

$$(4) n^2$$

۴۱- فرض کنید  $T(h)$  قاعده انتگرال گیری عددی دوزنقه‌ای و  $E(T)$  خطای آن باشد. برای انتگرال زیر مناسب‌ترین گزینه کدام است؟

$$\int_0^{10} (0.2x - 1) dx$$

$$(1) E\left(T\left(\frac{h}{4}\right)\right) > \frac{1}{32} E(T(h))$$

$$(2) E\left(T\left(\frac{h}{4}\right)\right) < \frac{1}{16} E(T(h))$$

$$(3) E\left(T\left(\frac{h}{4}\right)\right) < E(T(h))$$

$$(4) E\left(T\left(\frac{h}{4}\right)\right) = E(T(h))$$



- ۴۲- کدام یک از موارد زیر درست هستند؟  
 الف)  $[\forall x p(x) \Rightarrow \forall x q(x)] \Rightarrow \forall x [p(x) \Rightarrow q(x)]$   
 ب)  $\forall x [p(x) \Rightarrow q(x)] \Rightarrow [\forall x p(x) \Rightarrow \forall x q(x)]$   
 ۱) تنها الف  
 ۲) تنها ب  
 ۳) هیچ کدام از الف و ب  
 ۴) هر دو الف و ب
- ۴۳- با فرض آن که  $R$  یک رابطه بر روی مجموعه‌ی  $n$  عضوی  $A$  باشد و  $R^* = R \cup R^2 \cup R^3 \cup \dots$ ، کدام یک از گزینه‌های زیر نادرست است؟  
 ۱)  $R^*$  یک رابطه‌ی متعدی است.  
 ۲) زوج مرتبی در  $R^*$  وجود دارد که در بستار تعدی  $R$  نیست.  
 ۳)  $R^*$  برابر  $R^m \cup R^{m-1} \cup \dots \cup R \cup R^0$  است.  
 ۴)  $R^*$  می‌تواند خاصیت تقارن داشته باشد.
- ۴۴- چند عدد صحیح ۴ رقمی وجود دارد که در آن‌ها هر رقم از ارقام سمت چپ خود بزرگ‌تر نباشد؟  
 ۱) ۷۱۴  
 ۲) ۷۱۵  
 ۳) ۴۹۵  
 ۴) ۴۹۴
- ۴۵- جواب کلی رابطه‌ی بازگشتی  $a_n = 7a_{n-1} - 10a_{n-2} + 4n$  چیست؟ (فرض کنید  $c_1, c_2, c_3$  اعداد ثابتی هستند.)  
 ۱)  $a_n = c_1 2^n + c_2 5^n + c_3 3^n$   
 ۲)  $a_n = c_1 2^n + c_2 5^n + 3n$   
 ۳)  $a_n = c_1 2^n + c_2 5^n + n + c_3$   
 ۴)  $a_n = c_1 2^n + c_2 5^n + 3n + c_3$
- ۴۶- درجه‌های ورودی و خروجی یک گراف جهت‌دار  $G$  داده شده‌اند. فرض کنید که گراف طوقه (یالی از یک رأس به خودش) نداد و یال چندگانه هم نداریم (یعنی از یک رأس به رأس دیگر حداکثر یک یال جهت‌دار وجود دارد). برای چندتا از دنباله‌ی درجه‌های ورودی و خروجی زیر، گراف متناظری وجود دارد؟ فرض کنید که رأس‌های گراف از ۱ تا  $n$  شماره‌گذاری شده، و دنباله‌ی درجه‌ها به ترتیب شماره‌ی رأس‌ها آمده است.  
 الف)  $d_{out} = (2, 2, 1, 1)$  و  $d_{in} = (0, 1, 2, 3)$   
 ب)  $d_{out} = (2, 2, 1)$  و  $d_{in} = (2, 2, 1)$   
 ج)  $d_{out} = (2, 2, 3, 1, 2)$  و  $d_{in} = (1, 1, 2, 3, 3)$   
 ۱) ۰  
 ۲) ۱  
 ۳) ۲  
 ۴) ۳

۴۷- در یک لیست خطی یک‌سویه با عناصر  $\langle x_1, x_2, \dots, x_n \rangle$  اگر  $x_1$  عنصر اول لیست باشد، جست‌وجو برای عنصر  $x_i$  برابر  $i$  واحد هزینه خواهد داشت. MTF (Move to Front) روشی برای کاهش میانگین زمان جست‌وجو است. در این روش هر عنصری که مورد جست‌وجو قرار می‌گیرد به ابتدای لیست منتقل می‌شود. لیستی با ۱۰۰ عنصر  $A = \langle x_1, x_2, \dots, x_{100} \rangle$  را در نظر بگیرید. ابتدا به ترتیب عناصر زوج  $x_2$  تا  $x_{100}$  و سپس عناصر فرد  $x_1$  تا  $x_{99}$  را در  $A$  جست‌وجو می‌کنیم. اگر جست‌وجوی لیست به روش‌های (الف) عادی و (ب) MTF مدیریت شود، اختلاف میانگین هزینه‌ها بین این دو روش چقدر است؟

- (۱) ۰  
(۲) ۱۲۷۵  
(۳) ۳۷۷۵  
(۴) ۲۵۵۰

۴۸- مخزنی با  $n$  لیتر آب داریم. هر بار  $1/k$  از آب مخزن را برمی‌داریم. حداقل چند بار باید این کار را تکرار کنیم تا میزان آب به یک لیتر یا کم‌تر از آن برسد؟ فرض کنید  $k > 2$ .

- (۱)  $\lceil \log_{\frac{k}{k-1}} n \rceil$  (۲)  $\lceil \log_{1-\frac{1}{k}} n \rceil$  (۳)  $\lceil \log_{1+\frac{1}{k}} n \rceil$  (۴)  $\lceil \log_k n \rceil$

۴۹- بر روی لیست پیوندی و دوسویه‌ی  $Q$  که عناصر آن عدد هستند و اشاره‌گر به عنصر اول و آخر آن را داریم، اعمال زیر تعریف شده‌اند.

- $Delete(k)$ : عنصر ابتدای  $Q$  را به ترتیب حذف می‌کند.
- $Append(c)$ : عنصر آخر  $Q$  را نگاه می‌کند، اگر مقدارش از  $c$  بیش‌تر بود آن را حذف می‌کند. این کار را تکرار می‌کند تا عنصر انتهایی کم‌تر یا مساوی  $c$  شود (یا  $Q$  تهی شود). در آن صورت عنصر  $c$  را به انتهای صف درج می‌کند.

اگر دنباله‌ای از  $n$  تا از این دو عمل را با ترتیب دل‌خواه بر روی یک لیست تهی  $Q$  انجام دهیم، مجموع کل هزینه‌ها به کدام گزینه‌ی زیر نزدیک‌تر است؟

- (۱)  $n - k$  (۲)  $n$   
(۳)  $2n$  (۴)  $3n$

۵۰- کمینه و بیشینه‌ی ارتفاع یک درخت «بی»  $(h)$  با ۱۰۰۰ عنصر با شرایط زیر چقدر است؟ هر بلوک برگ بین ۱ تا ۴ رکورد از عناصر را می‌تواند ذخیره کند. تعداد فرزندان گره‌های داخلی بین ۳ و ۵ و تعداد فرزندان ریشه بین ۲ تا ۵ است.

- (۱)  $4 \leq h \leq 8$  (۲)  $3 \leq h \leq 8$   
(۳)  $3 \leq h \leq 7$  (۴)  $4 \leq h \leq 7$

۵۱- اگر  $acdfbeg$  (از چپ به راست) پیمایش پیش‌ترتیب (preorder) یک درخت دودویی باشد، کدام یک از گزینه‌های زیر نمی‌تواند پیمایش میان‌ترتیب (inorder) آن باشد؟

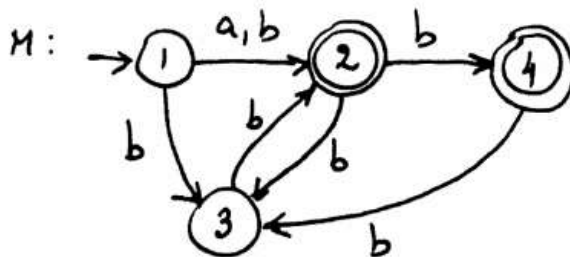
- (۱)  $fdecbag$  (۲)  $cabhged$   
(۳)  $fdbcage$  (۴)  $adcbfge$

۵۲- هزار عنصر با کلیدهای ۱ تا ۱۰۰۰ را با تابع درهم‌سازی  $h(i) = i^3 \bmod 10$  در آرایه‌ای به اندازه‌ی ۱۰ (و با اندیس‌های ۰ تا ۹) به روش زنجیره‌ای تخصیص می‌دهیم. احتمال آن که دو عنصر دلخواه (از کلیدهای داده‌شده) به یک درایه نگاشت شوند چقدر است؟ نزدیک‌ترین گزینه را انتخاب کنید.

- (۱) ۰/۰۱ (۲) ۰/۰۲ (۳) ۰/۱ (۴) ۰/۲

۵۳- گرامر  $G$ ، ماشین  $M$  و عبارت منظم  $R$  با تعاریف زیر مفروضند. کدام گزاره است؟

$R = (a|b)(bb|b)^*$   
 $G: S \rightarrow aAB|bAb$   
 $A \rightarrow bbA|b|\epsilon$   
 $B \rightarrow bB|bAB|\epsilon$



- (۱)  $L(G) = L(M) = L(R)$   
 (۲)  $L(M) \neq L(R) \neq L(G)$   
 (۳)  $L(G) \neq L(R), L(G) \neq L(M)$   
 (۴)  $L(G) \neq L(R), L(M) \neq L(R)$

۵۴- کدام گزینه درباره گرامرهای  $G_1$  و  $G_2$  صحیح است؟

$G_1: S \rightarrow SS|(S)|\lambda$   
 $G_2: S \rightarrow (S)S|\lambda$

- (۱) هر دو  $G_1$  و  $G_2$  مبهم و با هم معادلند.  
 (۲)  $G_1$  مبهم و  $G_2$  غیر مبهم ولی با هم معادلند.  
 (۳) هر دو  $G_1$  و  $G_2$  مبهم ولی معادل نیستند.  
 (۴)  $G_1$  مبهم و  $G_2$  غیر مبهم هستند و معادل نیستند.

۵۵- کدام یک از موارد زیر درست است؟

- (۱) هر گرامر خطی، گرامر منظم است.  
 (۲) هر زبان خطی، مستقل از متن قطعی است.  
 (۳) هر زبان مستقل از متن غیر قطعی، ذاتاً مبهم است.  
 (۴) هیچ زبان منظمی نمی‌تواند غیر قطعی و یا ذاتاً مبهم باشد.



۵۶- زبان  $L = \{a^n b^n c^n : n \geq 0\}$  و زبان‌های وابسته آن به شرح زیر مفروض است:

I.  $h(L)$  ,  $h(a) = a$  ,  $h(b) = bb$  ,  $h(c) = b$

II.  $L^R$

III.  $L^*$

IV.  $h(L)$  ,  $h(a) = a$  ,  $h(b) = bb$  ,  $h(c) = a$

کدام گزینه صحیح است؟

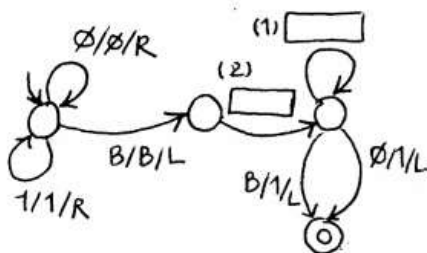
(۱) I مستقل از متن است و بقیه مستقل از متن نیستند.

(۲) I و III مستقل از متن و بقیه نیستند.

(۳) I و IV مستقل از متن و بقیه نیستند.

(۴) II مستقل از متن نیست و بقیه هستند.

۵۷- ماشین تورینگ مطابق شکل زیر با ورودی  $x = (\phi + 1)^*$  مفروض است. به منظور پیاده سازی تابع  $F(x) = x \text{div} 2 + 1$  آن را تکمیل نمایید. مقصود از  $\phi$  یا یک (1) است.



(۱)  $1: \phi/1/R$

(۲)  $1: \phi/1/L$

(۳)  $1: 1/\phi/L$

(۴)  $1: 1/\phi/L$

(۱)  $2: -/\phi/R$

(۲)  $2: 1/B/L$

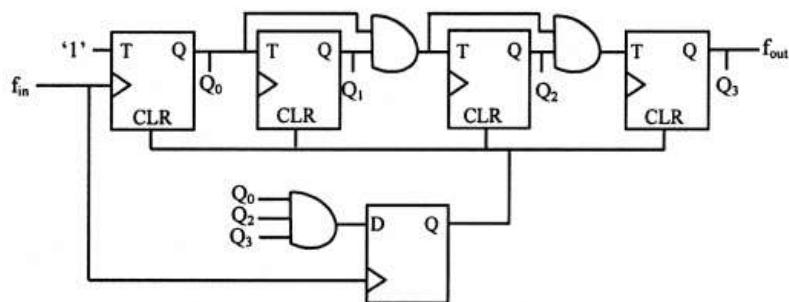
(۳)  $2: -/B/L$

(۴)  $2: 1/\phi/R$

۵۸- شکل زیر یک شمارنده را نشان می‌دهد. (۴ فلیپ فلاپ T و یک فلیپ فلاپ D) اگر فرکانس ورودی ساعت آن  $2112 \text{ Hz}$  باشد، فرکانس خروجی آن چند هرتز است؟ (سیگنال CLR، فلیپ فلاپ‌ها را به‌طور مستقل از کلاک صفر می‌کند)

$$f_{in} = f_{CLK} = 2112 \text{ Hz}$$

$$f_{out} = ?$$



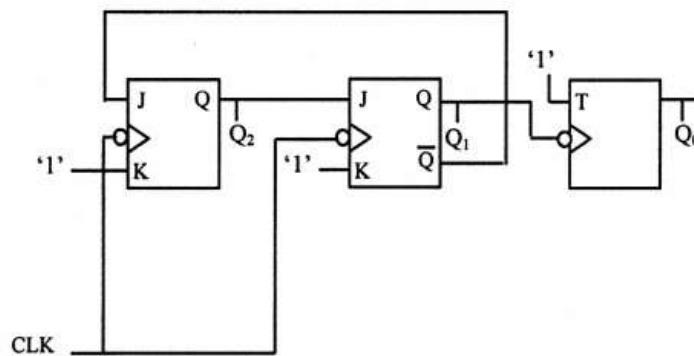
$$176 \text{ Hz} \quad (2)$$

$$132 \text{ Hz} \quad (1)$$

$$2112 \text{ Hz} \quad (4)$$

$$192 \text{ Hz} \quad (3)$$

۵۹- مدار شکل زیر از کدام دنباله پیروی می‌کند؟ خروجی به صورت  $Q_2 Q_1 Q_0$  می‌باشد.



$$\circ \leftarrow 6 \leftarrow 5 \leftarrow 4 \leftarrow 3 \leftarrow 1 \leftarrow \circ \quad (1)$$

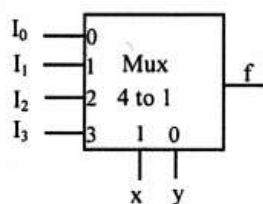
$$\circ \leftarrow 5 \leftarrow 4 \leftarrow 3 \leftarrow 2 \leftarrow 1 \leftarrow \circ \quad (2)$$

$$\circ \leftarrow 6 \leftarrow 5 \leftarrow 4 \leftarrow 2 \leftarrow 1 \leftarrow \circ \quad (3)$$

$$\circ \leftarrow 6 \leftarrow 5 \leftarrow 3 \leftarrow 2 \leftarrow 1 \leftarrow \circ \quad (4)$$

۶۰- ورودی‌های  $I_0$  تا  $I_3$  طوری انتخاب شده‌اند که خروجی mux، پیاده‌سازی تابع  $f$  باشد. حداقل گیت‌های دو ورودی لازم برای این کار چه تعداد است؟ (مکمل متغیرهای ورودی در اختیار نمی‌باشند)

$$L(x,y,z,t) = \Pi M(0,1,3,5,7) \text{ و } D(2,6,8,12)$$



۱ (۱)

۱ (۲)

۲ (۳)

۳ (۴)

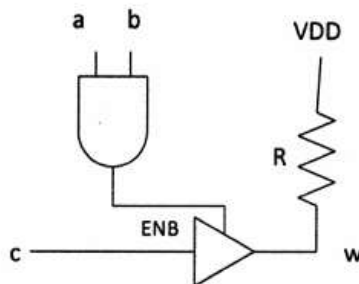
۶۱- در مدار زیر، گیت بافر یک بافر سه حالت است. کدام گزینه مقدار خروجی  $w$  را به درستی نشان می‌دهد؟ (گیت‌ها را ایده‌آل فرض نمایید.)

۱ (۱)  $w = abc$

۲ (۲)  $w = ab + c$

۳ (۳)  $w = a + b + \bar{c}$

۴ (۴)  $w = \bar{a} + \bar{b} + c$



۶۲- در تابع بولی که دارای ترمهای زیر می‌باشد ساده‌ترین فرم حاصل جمع حاصل ضربها (sum of products) کدام است؟

$$f(a,b,c,d,e) = \sum(0, 2, 4, 9, 11, 12, 14, 18, 20, 21, 27, 29)$$

$$d(a,b,c,d,e) = (6, 10, 16, 22, 25)$$

۱ (۱)  $F_{(a,b,c,d,e)} = \bar{A} \bar{B} \bar{E} + \bar{A} B D + B \bar{D} \bar{E} + B C D$

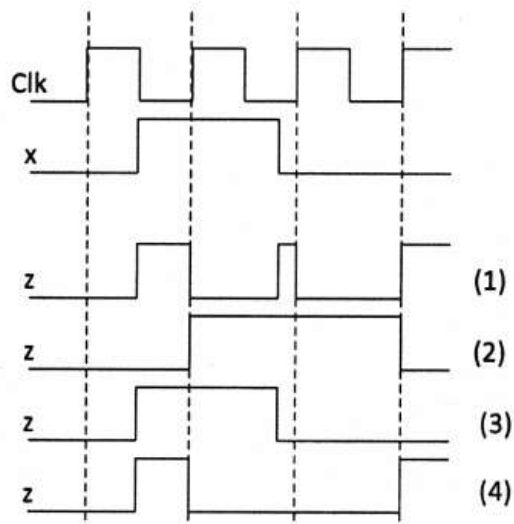
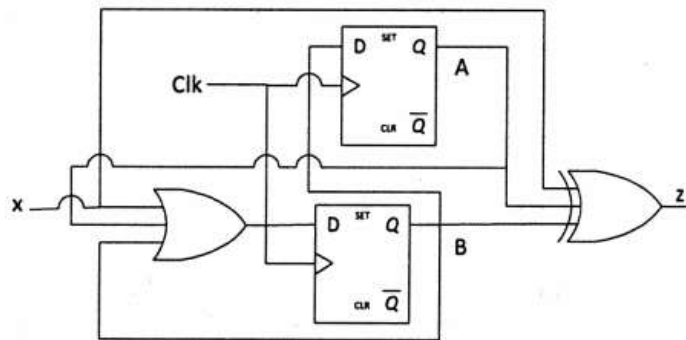
۲ (۲)  $F_{(a,b,c,d,e)} = \bar{B} \bar{E} + \bar{A} \bar{B} C + B \bar{D} E + B C \bar{D} E$

۳ (۳)  $F_{(a,b,c,d,e)} = \bar{A} \bar{D} + \bar{A} B D + \bar{A} \bar{B} C + B \bar{C} \bar{D} \bar{E}$

۴ (۴)  $F_{(a,b,c,d,e)} = \bar{B} \bar{E} + B \bar{C} E + \bar{A} C \bar{E} + A C \bar{D} E$



۶۳- با فرض آنکه فلیپ فلاپ‌ها از حالت اولیه صفر شروع می‌کنند برای مدار زیر کدام یک از شکل موج‌ها صحیح می‌باشند؟

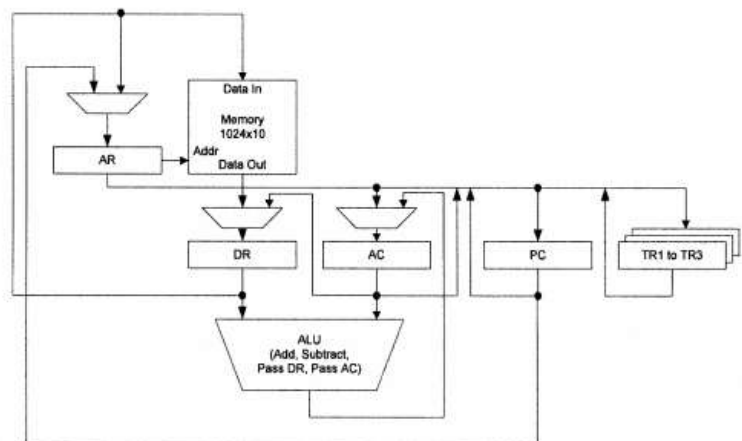


۶۴- برای طراحی یک ماژول حافظه‌ی ۲۵۶ مگابایتی با عرض داده ۳۲ بیت می‌توان از مجموعه‌ای از ماژول‌های ۴ مگابایتی با عرض داده ۸ بیت استفاده نمود. در این طراحی تعداد سیگنال‌های آدرس موردنیاز و نوع دیکودر مورد استفاده به ترتیب کدام است؟

- (۱) ۲۶، ۳ به ۸
- (۲) ۲۶، ۴ به ۱۶
- (۳) ۲۸، ۳ به ۸
- (۴) ۲۸، ۴ به ۱۶

۶۵- بخش مسیر داده (Datapath) یک پردازنده به شکل زیر داده شده است. به فرض این که نشانی دستور بعدی در ثبات PC باشد، چند سیکل ساعت لازم است تا دستور  $word\ add$  زیر واکنشی شده و اجرا شود؟  
حافظه ۱۰ بیتی است و هر دستورالعمل پردازنده حداقل ۲ کلمه است. همه‌ی ثبات‌ها ۱۰ بیتی و دارای خط کنترل INC برای  $increment$  کردن، CLR برای پاک کردن و LD برای بارگیری مقدار هستند. علامت (Addr) نشان دهنده آدرس‌دهی مستقیم (direct) است. دستور روی کلمه ۱۰ بیتی عمل می‌کند.  
 $Wadd\ (src1),\ (src2),\ (dst)$   
فرمت دستور:

	30	20	10	0
Destination address	Operand2 address	Operand 1 address	Opcode	



- ۱۰ (۱)
- ۱۵ (۲)
- ۲۰ (۳)
- هیچکدام (۴)

۶۶- برای محاسبه خروجی دهدهی  $2 + (A \text{ Mod } 4) * 100 - 125 * A$  با داشتن عدد A (یک رقم BCD) گزینه صحیح کدام است؟  
(۱) حداقل به دو جمع‌کننده دهدهی نیاز داریم.  
(۲) حداقل به دو جمع‌کننده دودویی ۴ بیتی نیاز داریم.  
(۳) حداقل به یک ضرب‌کننده دهدهی و یک جمع‌کننده دهدهی نیاز داریم.  
(۴) هیچکدام

۶۷- در یک حافظه نهان با نگاشت مجموعه - انجمنی (Set - associative) اگر تعداد

بلوک‌های هر مجموعه برابر  $2^B$  باشد، حجم حافظه موردنیاز برای نگهداری tagها نسبت به حجم حافظه موردنیاز برای نگهداری tagها در حافظه نهان هم اندازه با نگاشت مستقیم (با طول tag ده بیت) چند درصد افزایش پیدا می‌کند؟

(۱) B

(۲)  $10 \times B$

(۳)  $100 \times B$

(۴) با داده‌های موجود قابل تعیین نیست.

۶۸- ..... یک وقفه خارجی است که با برنامه در حال اجرا ..... می‌باشد در حالی که ..... یک وقفه داخلی است که با برنامه در حال اجرا ..... است.

(۱) وقفه ناشی از مدار ناظر بر منبع تغذیه - ناهمگام - وقفه ناشی از سر ریز پشته - همگام

(۲) وقفه ناشی از سر ریز پشته - ناهمگام - وقفه ناشی از مدار ناظر بر منبع تغذیه - همگام

(۳) وقفه ناشی از مدار ناظر بر منبع تغذیه - همگام - وقفه ناشی از سر ریز پشته - ناهمگام

(۴) وقفه ناشی از سر ریز پشته - همگام - وقفه ناشی از مدار ناظر بر منبع تغذیه - ناهمگام

۶۹- فرض کنید در یک سیستم نمایش اعداد ممیز - شناور، برای علامت توان و قسمت اعشاری به ترتیب از یک، پنج و ده بیت به صورت زیر استفاده می‌شود.



$$\text{مقدار عدد اعشاری} = (-1)^S \times 1, F \times 2^{E-15}$$

در این سیستم نمایش، بزرگترین عدد اعشاری قابل نمایش که از عدد یک کوچکتر است، کدام است؟

(۱)  $3 \text{ FFF}_{16}$

(۲)  $03 \text{ FF}_{16}$

(۳)  $3 \text{ BFF}_{16}$

(۴)  $7 \text{ FFF}_{16}$



۷۰- اگر هد (head) دیسک روی سیلندر ۵۳ دیسک قرار داشته باشد و به سمت سیلندر صفر در حرکت باشد و به ترتیب از سمت چپ به راست سیلندرها ۶۵،۶۷،۶۴،۱۲۴،۱۴،۱۲۲،۳۷،۱۸۳،۹۸ درخواست شده باشند. الگوریتم برنامه‌ریزی C-SCAN به کدام ترتیب سیلندرها درخواست شده را بررسی می‌نماید؟

(۱) ۶۵،۶۷،۳۷،۱۴،۹۸،۱۲۲،۱۲۴،۱۸۳

(۲) ۳۷،۱۴،۱۸۳،۱۲۴،۱۲۲،۹۸،۶۷،۶۵

(۳) ۶۵،۶۷،۹۸،۱۲۲،۱۲۴،۱۸۳،۳۷،۱۴

(۴) ۳۷،۱۴،۶۵،۶۷،۹۸،۱۲۲،۱۲۴،۱۸۳

۷۱- کامپیوتری دارای  $m$  واحد از یک منبع است و  $n$  پردازنده برای در اختیار گرفتن این منابع با هم رقابت می‌کنند. هر پردازنده حداکثر به دو واحد از این منبع نیاز داشته و در هر زمان می‌تواند تنها یک واحد منبع را آزاد یا درخواست نماید. کدام یک از گزینه‌های زیر درباره حداکثر مقدار  $n$  که به ازای آن سیستم دچار بن‌بست نمی‌شود، درست است؟

(۱)  $n < m$

(۲)  $n < 2m - 1$

(۳)  $n < m + 2$

(۴)  $n < 2m$

۷۲- در یک سیستم صفحه‌بندی بر حسب تقاضا، اگر احتمال نقص صفحه برابر  $p$  باشد و زمان انتقال یک صفحه بین حافظه جانبی و حافظه اصلی برابر با  $d$  باشد و به طور میانگین نیمی از صفحات در حافظه اصلی تغییر پیدا کرده باشند. اگر از یک حافظه جانبی با سرعت ۲ برابر استفاده شود، آنگاه متوسط زمان دسترسی مؤثر به حافظه چقدر کاهش خواهد یافت؟

(۱)  $\frac{1}{2}pd$

(۲)  $\frac{2}{3}pd$

(۳)  $\frac{3}{4}pd$

(۴)  $pd$

۷۳- جدول زیر زمان ورود و زمان پردازش پردازنده‌ها را نشان می‌دهد. برای آنکه دو روش برنامه‌ریزی First Come First Served (FCFS) و Highest Response Ratio Next (HRRN) زمان‌بندی‌های یکسانی را تولید نمایند، چه رابطه‌ای باید بین  $t_C$  و  $t_B$  برقرار باشد؟ برای سادگی از زمان تعویض زمینه بین پردازنده‌ها صرف‌نظر کنید.

فرآیند	زمان ورود	زمان پردازش
A	۰	$t_A = 3$
B	۱	$t_B$
C	۲	$t_C$

(۱)  $t_B < t_C$

(۲)  $t_C < t_B$

(۳)  $t_C < 2t_B$

(۴)  $t_B < 2t_C$



513

A

نام :

نام خانوادگی :

محل امضاء :

دفترچه شماره ۲  
صبح جمعه  
۹۲/۱۱/۱۸



جمهوری اسلامی ایران  
وزارت علوم، تحقیقات و فناوری  
سازمان سنجش آموزش کشور

اگر دانشگاه اصلاح شود مملکت اصلاح می‌شود.  
امام خمینی (ره)

## آزمون ورودی دوره‌های کارشناسی ارشد ناپیوسته داخل - سال ۱۳۹۳

مجموعه مهندسی کامپیوتر - کد ۱۲۷۷

مدت پاسخگویی: ۸۰ دقیقه

تعداد سؤال: ۴۸

عنوان مواد امتحانی، تعداد و شماره سؤالات

ردیف	مواد امتحانی	تعداد سؤال	از شماره	تا شماره
۱	دروس تخصصی معماری کامپیوتر (مدارهای الکتریکی، VLSI، الکترونیک دیجیتال، انتقال داده‌ها)	۱۶	۷۴	۸۹
۲	دروس تخصصی نرم افزار (گامیابگر، زبانهای برنامه سازی، طراحی الگوریتم، پایگاه داده)	۱۶	۹۰	۱۰۵
۳	دروس تخصصی هوش مصنوعی (مدارهای الکتریکی، طراحی الگوریتم‌ها، هوش مصنوعی)	۱۶	۱۰۶	۱۲۱

بهمن ماه سال ۱۳۹۲

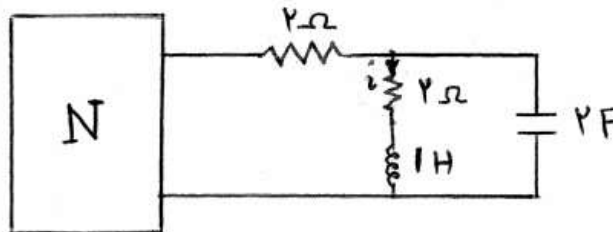
استفاده از ماشین حساب مجاز نمی‌باشد.

این آزمون دارای نمره منفی است.

حق چاپ و تکثیر سؤالات پس از برگزاری آزمون برای تمامی اشخاص حقیقی و حقوقی تنها با مجوز این سازمان مجاز می‌باشد و با منخلفین برابر مقررات رفتار می‌شود.

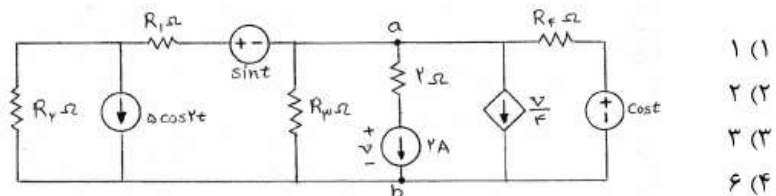
۷۴- اگر در مدار زیر  $i = \sin t$  باشد توان متوسط  $N$  چند وات است؟

- (۱)  $-9/5$   
(۲)  $-9$   
(۳)  $-8/75$   
(۴)  $9$



۷۵- اگر در مدار زیر توان متوسط منبع جریان دو آمپری برابر  $(-12)$  وات باشد

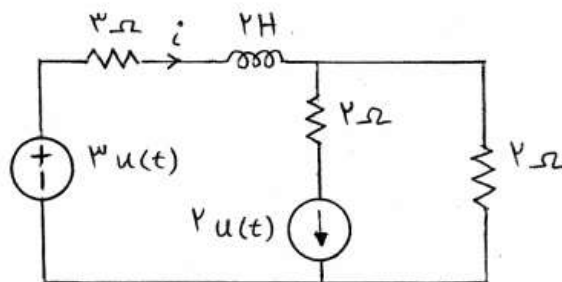
مقاومت معادل مدار از  $a$  و  $b$  چند اهم است؟



- (۱)  $1$   
(۲)  $2$   
(۳)  $3$   
(۴)  $6$

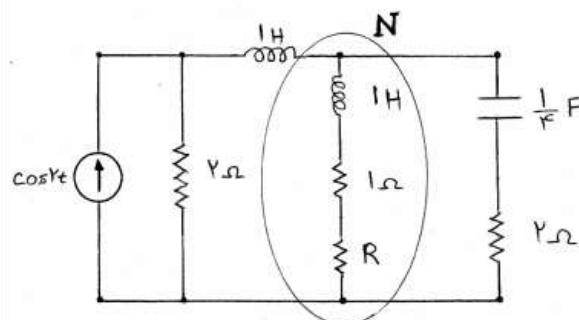
۷۶- در مدار زیر جریان اولیه سلف برابر  $i(0^-) = 1A$  است. بعد از چه مدتی انرژی

سلف برابر  $1/44$  ژول می‌شود؟



- (۱)  $2/5$   
(۲)  $\ln 2$   
(۳)  $2/5 \ln 2$   
(۴)  $5/2$

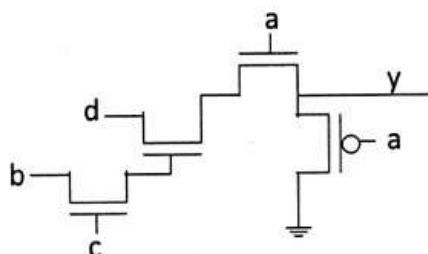
۷۷- به ازای چه مقداری از  $R$  توان متوسط  $N$  در حالت دائمی سینوسی ماکزیمم است؟



- (۱)  $\sqrt{2}-1$   
(۲)  $1$   
(۳)  $2\sqrt{2}$   
(۴)  $2\sqrt{2}-1$

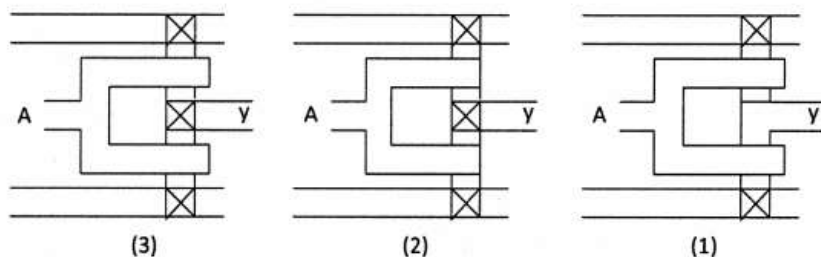


۷۸- در مدار شکل زیر بازه تغییرات ولتاژ خروجی کدام مورد است؟



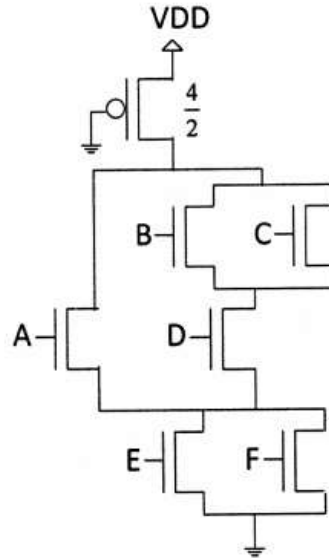
- (۱)  $V_{DD} - V_{tn}$  و  $\circ$
- (۲)  $V_{DD} - 2V_{tn}$  و  $\circ$
- (۳)  $|V_{tp}|$  و  $V_{DD} - V_{tn}$
- (۴)  $|V_{tp}|$  و  $V_{DD} - 2V_{tn}$

۷۹- چینش مدار وارونگر تراشه‌ای به سه صورت زیر طراحی شده است. در صورتی که چینش بقیه مدار برای هر سه چینش یکسان باشد، در مورد بارآوری (yield) چینش‌های (۱)، (۲) و (۳) گزینه صحیح کدام است؟



- (۱) چینش ۳ بیشترین بارآوری را دارد، چینش‌های ۱ و ۲ بارآوری صفر دارند.
- (۲) چینش ۳ بیشترین بارآوری را دارد، چینش ۲ بارآوری کمتر از ۳، چینش ۱ بارآوری صفر دارد.
- (۳) چینش ۳ بیشترین بارآوری را دارد، چینش ۱ بارآوری کمتر از ۳، چینش ۲ بارآوری صفر دارد.
- (۴) در مورد بارآوری تراشه‌ها با این اطلاعات نمی‌توان قضاوت کرد.

۸۰- با فرض  $\mu_n = 2\mu_p$ ، اندازه ترانزیستورهای شبکه پایین‌بر در مدار به شرطی که مقاومت معادل شبکه پایین‌بر در بدترین حالت ممکن نصف مقاومت ترانزیستور بالابر باشد، چقدر است؟



$$\left(\frac{W}{L}\right)_A = \frac{6}{2}, \left(\frac{W}{L}\right)_B = \frac{12}{2}, \left(\frac{W}{L}\right)_C = \frac{12}{2} \quad (1)$$

$$\left(\frac{W}{L}\right)_D = \frac{12}{2}, \left(\frac{W}{L}\right)_E = \frac{24}{2}, \left(\frac{W}{L}\right)_F = \frac{24}{2}$$

$$\left(\frac{W}{L}\right)_A = \frac{12}{2}, \left(\frac{W}{L}\right)_B = \frac{6}{2}, \left(\frac{W}{L}\right)_C = \frac{6}{2} \quad (2)$$

$$\left(\frac{W}{L}\right)_D = \frac{12}{2}, \left(\frac{W}{L}\right)_E = \frac{12}{2}, \left(\frac{W}{L}\right)_F = \frac{12}{2}$$

$$\left(\frac{W}{L}\right)_A = \frac{6}{2}, \left(\frac{W}{L}\right)_B = \frac{12}{2}, \left(\frac{W}{L}\right)_C = \frac{12}{2} \quad (3)$$

$$\left(\frac{W}{L}\right)_D = \frac{12}{2}, \left(\frac{W}{L}\right)_E = \frac{12}{2}, \left(\frac{W}{L}\right)_F = \frac{12}{2}$$

$$\left(\frac{W}{L}\right)_A = \frac{16}{2}, \left(\frac{W}{L}\right)_B = \frac{24}{2}, \left(\frac{W}{L}\right)_C = \frac{24}{2} \quad (4)$$

$$\left(\frac{W}{L}\right)_D = \frac{24}{2}, \left(\frac{W}{L}\right)_E = \frac{24}{2}, \left(\frac{W}{L}\right)_F = \frac{24}{2}$$

۸۱- یک ترانزیستور nMOS دارای ولتاژ آستانه ۴/۰ ولت است. ولتاژ منبع تغذیه ۱/۳

ولت می‌باشد. طراحی قصد دارد طرحی را برای حالتی که  $V_t = 100$  میلی‌ولت کاهش می‌یابد، ارزیابی کند. اگر ترانزیستور ایده‌آل باشد، جریان اشباع چند برابر

قبل خواهد شد؟ ( $V_{gs} = V_{ds} = V_{DD}$ )

(۱) ۸۱/۰      (۲) ۹/۰

(۳) ۱/۱      (۴) ۲۳/۱

۸۲- یک گیت NOR سه ورودی در نظر بگیرید. عرض ترانزیستورهای آن به گونه‌ای انتخاب شده است که مقاومت مؤثر بالابر و پایین‌بر گیت برابر و معادل مقاومت مؤثر یک وارونگر واحد باشد. خازن معادن بر روی ورودی‌ها هنگامی که خروجی صفر است، کدام است؟ (خازن گیت و مقاومت یک ترانزیستور nMOS به اندازه واحد را به ترتیب برابر C و R در نظر بگیرید. از خازن جزئی سیم‌ها و خازن همپوشانی صرف‌نظر کنید. فرض کنید مقاومت pMOS واحد دو برابر nMOS واحد باشد.)

(۱) ۷C

(۲) ۴C

(۳) ۳C

(۴) C

۸۳- در مدار شکل زیر مقدار تقریبی مقاومت خروجی در شرایطی که  $\frac{W}{L} = 1$  و ترکیب ورودی‌ها به صورت  $ABCD = 1111$ ، تقریباً برابر با چند کیلو اهم است؟

( $V_{DD} = 1.5 \text{ v}$  ,  $V_{tn} = |V_{tp}| = 0.5 \text{ v}$  ,

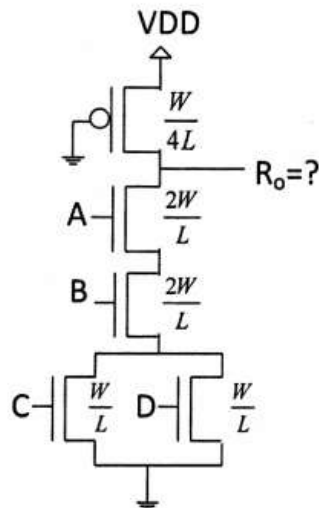
$\mu_p c_{ox} = 100 \frac{\mu A}{v^2}$  ,  $\mu_n c_{ox} = 400 \frac{\mu A}{v^2}$ )

(۱) ۳/۷۵

(۲) ۵

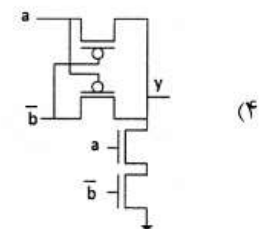
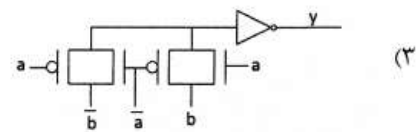
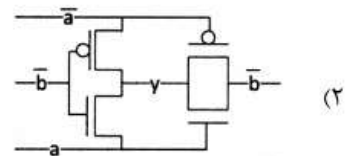
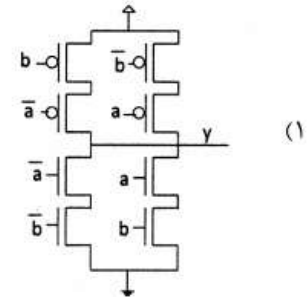
(۳) ۱۱/۲۵

(۴) ۱۲/۵



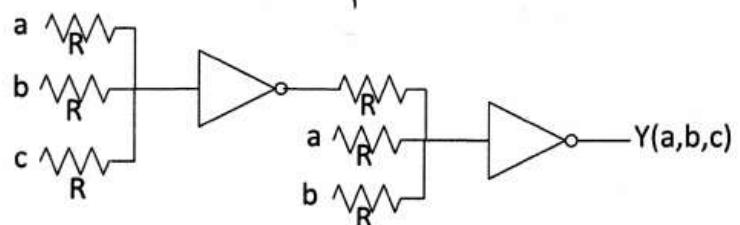


۸۴- خروجی کدام یک از مدارهای زیر معادل تابع XOR نیست؟



۸۵- مدار زیر چه تابعی را پیاده‌سازی می‌کند؟

ولتاژ آستانه منطقی گیت NOT برابر  $\frac{V_{DD}}{2}$  است.



$Y = ab + \bar{a}c + \bar{b}\bar{c}$  (۱)

$Y = ab + ac + bc$  (۲)

$Y = \bar{a}\bar{b} + \bar{a}c + \bar{b}c$  (۳)

$Y = \bar{a}\bar{c} + \bar{a}\bar{b} + \bar{b}\bar{c}$  (۴)

۸۶- قرار است فایلی را بر روی یک سیستم انتقال داده‌ها بدون خطا با نرخ ۱۰ مگا بیت بر ثانیه از مبدأ A به مقصد B ارسال کنیم. این فایل به ۵ قطعه ۱۰۰۰ بیتی شکسته می‌شود و گره B به محض دریافت موفق هر قطعه، یک ACK ۵۰ بیتی را به سوی A روانه می‌سازد. فرض کنید سیستم انتقال از نوع هدایت شده (guided) بوده و اسلوب انتقال تمام دوطرفه (full duplex) باشد. تأخیر انتشار در هر مسیر برابر ۳ میلی‌ثانیه است. زمان مورد نیاز برای انتقال کامل این فایل چند میلی‌ثانیه است؟

- (۱) ۷/۴  
(۲) ۱۰/۰۴  
(۳) ۱۷/۲  
(۴) ۲۴/۲

۸۷- توان سیگنال ورودی به یک کانال مخابراتی بدون اعوجاج با اتلاف ۱۰ dB و پهنای باند ۱۰۰ kHz برابر با ۱۰۰ dBm - است. اگر چگالی توان نویز گرمایی در گیرنده  $N_0 = -204 \frac{\text{dBW}}{\text{Hz}}$  باشد، نسبت سیگنال به نویز دریافتی چند dB است؟

- (۱) ۱۴  
(۲) ۲۴  
(۳) ۳۴  
(۴) ۴۴

۸۸- از سیگنال آنالوگ  $s(t) = 1 + \cos^2(500\pi t) + \sin(20\pi t)$  نمونه‌برداری کرده و به روش PCM، ۱۰ بیتی دیجیتال کرده و ارسال می‌کنیم. نرخ مناسب برای نمونه‌برداری (بر حسب نمونه بر ثانیه) و نرخ ارسال بیت (بر حسب کیلو بیت بر ثانیه) به ترتیب از راست به چپ چقدر است؟

- (۱) ۵، ۵۰۰  
(۲) ۱۰/۴، ۵۲۰  
(۳) ۱۰، ۱۰۰۰  
(۴) ۱۰/۴، ۱۰۴۰

۸۹- ظرفیت کانالی با پهنای باند ۴ کیلو هرتز، ۴۰ کیلو بیت بر ثانیه است. اگر بخواهیم ظرفیت کانال را به ۸۰ کیلو بیت بر ثانیه افزایش دهیم، نسبت سیگنال به نویز در خروجی کانال را چند دسی‌بل باید افزایش دهیم؟

- (۱) ۱۵  
(۲) ۳۰  
(۳) ۱۰۰  
(۴) اطلاعات کافی نیست.

۹۰- کدام گزینه درباره گرامر روبه‌رو صحیح است؟

$$S \rightarrow aBDb$$

$$B \rightarrow b | \lambda$$

$$D \rightarrow dD | \lambda$$

(۱) LL(۱) است.

(۲) SLR است.

(۳) LALR است.

(۴) هیچکدام

۹۱- گرامر زیر را در نظر بگیرید:

$$S \rightarrow Ts$$

$$T \rightarrow xTx | x$$

کدام یک از موارد زیر صحیح است؟

(۱) پیمایشگر (تجزیه‌کننده) LR(0) برای گرامر فوق دارای برخورد از نوع انتقال / کاهش است.

(۲) پیمایشگر (تجزیه‌کننده) LR(0) برای گرامر فوق دارای برخورد از نوع کاهش / کاهش است.

(۳) این گرامر LALR(1) است.

(۴) این گرامر LL(1) است.

 ۹۲- قطعه گرامر زیر برای پارسر LALR(1) مفروض است. می‌دانیم که کامپایلر هنگام خواندن ورودی با دیدن هر یک از واژه‌های  $a, b, c, d, e$  و  $f$  و قبل از خواندن واژه‌ی بعدی کنترل را به تولید کننده کد برای اجرای یک روال مفهومی منتقل می‌کند و می‌دانیم که بازاء کاربرد هر قاعده تولید حداکثر یک روال مفهومی قابل اجراست. از این رو لازم است گرامر داده شده گسترش یابد، حداقل تعداد قواعد تولید در گرامر گسترش یافته چند است؟

$$S \rightarrow aAbB$$

$$A \rightarrow Dc | A \rightarrow B$$

$$B \rightarrow EF$$

$$D \rightarrow dAb | EB$$

$$E \rightarrow Eea | e$$

$$F \rightarrow fFaE | \lambda$$

(۲) ۱۳

(۱) ۶

(۴) ۱۸

(۳) ۱۶

۹۳- یک کامپایلر معتبر برای یک دستور Case یا Switch کد کارآ تولید کرده است. این دستور دارای ۱۰ حالت است که با ثابت‌های ۱۱، ۱۳، ۱۷، ۱۹، ۲۳، ۲۹، ۳۱، ۳۷، ۴۱ و ۴۳ انتخاب می‌شوند. اندازه جدول پرش در کد مزبور در چه حدودی است؟

(۲) ۳۲

(۱) ۱۰

(۴) هیچکدام

(۳) ۴۳

۹۴- کدام یک از دسته موارد زیر می تواند حاصل عبارت محاسباتی  $a * f(x) + a$  باشد که در آن مقدار متغیرهای سراسری  $a$  و  $x$  به ترتیب ۱ و ۲ می باشند؟ (فرض بر این است که تابع  $f$  به صورت فراخوانی به وسیله مقدار فراخوانی شده، مقدار ۳ را برگشت داده و همچنین مقدار متغیر سراسری  $a$  را به ۲ تغییر می دهد).

(۱) ۴ و ۵  
(۲) ۵ و ۷  
(۳) ۵ و ۸  
(۴) ۸ و ۴

۹۵- اگر کامپایلری داشته باشیم که در زمان کامپایل، حداکثر اندازه رکورد فعالیت مورد نیاز بدنه تابعی را به آن اختصاص دهد، در این صورت کدام یک از جملات زیر، درباره طراحی چیدمان رکورد فعالیت می تواند درست باشد؟

(۱) نیازی به پیوند دسترسی نداریم.  
(۲) هیچ گاه نیازی به پیوند کنترلی نداریم.  
(۳) نیازی به هیچ یک از دو پیوند کنترلی و دسترسی نداریم.  
(۴) در صورتی که امکان تعریف تابع در حوزه دید یک تابع وجود نداشته باشد، نیازی به پیوند کنترلی نداریم.

۹۶- قطعه کد زیر را در نظر بگیرید، در صورتی که ریسمان های  $t_1 \dots t_{100}$  به مقدار اولیه  $x$  برای محاسبات خود احتیاج داشته باشند و  $t_1$  مقدار  $x$  را تغییر دهد، استفاده از کدام خطی مشی انتقال آرگمان را برای ارسال پارامتر به Evaluate Thread , Compute Thread به ترتیب از راست به چپ ترجیح می دهید؟

```
int x = initialization();
Thread t1 = new Compute Thread (x);
Thread t۲ = new Evaluate Thread (x);
⋮
Thread t۱۰۰ = new Evaluate Thread (x)
```

- (۱) call – by – value, call – by - result  
(۲) call – by – ref , call – by – value - result  
(۳) call – by – ref , call – by - value  
(۴) call – by – name , call – by - ref



۹۷- کدامیک از گزاره‌های زیر درست و کدامیک نادرست است؟

الف) برای به دست آوردن طولانی‌ترین مسیر از یک رأس  $s$  به رأس  $t$  در یک گراف جهت‌دار و وزن‌دار بدون دور (DAG) می‌توان وزن همه‌ی یال‌ها را منفی کرده و با استفاده از الگوریتم فلوید کوتاه‌ترین مسیر بین  $s$  و  $t$  را در گراف جدید به دست آورد.

ب) اگر گراف  $G$  شامل یک مسیر یکتا (unique) با نام  $P$  از رأس  $s$  به رأس  $t$  باشد و درخت فراگیر کمینه‌ی  $G$  هم یکتا و با نام  $T$  باشد، در آن صورت هر یال موجود در  $P$  در  $T$  هم هست.

- (۱) الف: نادرست، ب: نادرست  
(۲) الف: درست، ب: نادرست  
(۳) الف: درست، ب: درست  
(۴) الف: نادرست، ب: درست

۹۸- دو تابع  $P_1$  و  $P_2$  داریم که با دریافت آرایه‌ی  $n$  بیتی  $x$ ، اولی  $y_1 = A_1 x$  و دومی  $y_2 = A_2 x$  را محاسبه می‌کند که  $A_1$  و  $A_2$  ماتریس‌های بیتی  $n \times n$  هستند. این دو تابع به ترتیب آرایه‌های  $n$  بیتی  $y_1$  و  $y_2$  را برمی‌گردانند. ما اطلاعات ماتریس‌ها را نداریم اما می‌دانیم که  $A_1$  و  $A_2$  دقیقاً مانند هم هستند به جز در یک درایه‌ی  $(i, j)$  و اندیس‌های  $i$  و  $j$  را هم نمی‌دانیم. ما می‌توانیم  $P_1$  و  $P_2$  را با مقادیر مختلف  $x$  فراخوانیم و خروجی آن دو را با هم مقایسه کنیم. با چند بار فراخوانی می‌توانیم اندیس‌های  $i$  و  $j$  را بیابیم؟

- (۱)  $O(\lg n)$  (۲)  $O(n)$  (۳)  $O(n \lg n)$  (۴)  $O(n^2)$

۹۹- دانشگاهی  $n$  کلاس درس دارد که در یک ردیف کنار هم هستند، یعنی کلاس  $i$  (برای  $1 < i < n$ ) مجاور کلاس‌های  $i-1$  و  $i+1$  است. می‌دانیم که ظرفیت کلاس  $i$  برابر  $v_i$  نفر است. می‌خواهیم تعدادی کلاس با بیش‌ترین مجموع ظرفیت را تخصیص دهیم که هیچ دو کلاس تخصیص داده شده مجاور نباشند. اگر  $C(k)$  برای  $1 \leq k \leq n$  بیش‌ترین ظرفیت قابل تخصیص (به صورت گفته شده) از کلاس‌های  $1$  تا  $k$  باشد، کدامیک از رابطه‌های بازگشتی زیر درست است؟ بدیهی است که  $C(1) = v_1$ .

- (۱)  $C(k) = \max\{C(k-1), C(k-2) + v_k\}$  (۲)  $C(k) = C(k-1) + v_k$   
(۳)  $C(k) = C(k-2) + v_k$  (۴)  $C(k) = \max\{C(k-1), C(k-2)\} + v_k$

۱۰۰- فرض کنید  $A$  ماتریس مجاورت یک گراف وزن‌دار و جهت‌دار  $G$  با  $n$  رأس است که در آن درایه‌ی  $A[i, j]$  برابر وزن یال  $i$  به  $j$  در صورت وجود است؛ اگر این یال موجود نباشد قرار می‌دهیم  $A[i, i] = 0$ . ماتریس  $A^k = \underbrace{A \times A \times \dots \times A}_k$  را در نظر بگیرید. فرض کنید که در ضرب دو ماتریس به جای ضرب دو عدد عمل

جمع آن دو و به جای جمع عمل  $\min$  انجام شود. درایه‌ی  $A^k[i, j]$  چه عددی را نشان می‌دهد؟

- (۱) مجموع وزن‌های همه‌ی مسیرهای از رأس  $i$  به رأس  $j$  که دقیقاً از  $k$  یال عبور کرده باشد.  
(۲) وزن کوتاه‌ترین مسیر از رأس  $i$  به رأس  $j$  که حداکثر از  $k$  یال عبور کرده باشد.  
(۳) وزن کوتاه‌ترین مسیر از رأس  $i$  به رأس  $j$  که حداکثر از  $k$  یال عبور کرده باشد.  
(۴) عددی غیر از گزینه‌های بالا

۱۰۱- فرض کنید  $n$  پردازش در اختیار داریم که برای هر یک زمان شروع و پایان اجرای آن مشخص است. می‌خواهیم با کمترین تعداد پردازنده همه پردازشها را اجرا کنیم. الگوریتم زیر را در نظر بگیرید: در مرحله  $i$ ام از بین پردازشهای باقی مانده، بیشینه تعداد پردازشهایی که با یکدیگر از نظر زمانی همپوشانی ندارند انتخاب کرده و آنها را به پردازنده  $i$ ام اختصاص می‌دهیم. این الگوریتم زمانی پایان می‌پذیرد که پردازش‌های بدون پردازنده باقی نماند. بزرگترین  $i$  (شماره آخرین مرحله الگوریتم) به عنوان خروجی الگوریتم گزارش می‌شود. کوچکترین  $n$ ی که الگوریتم فوق جواب بهینه تولید نمی‌کند کدام است؟

(۱) ۱      (۲) ۲      (۳) ۳      (۴) ۵

۱۰۲- با داشتن رابطه  $R(A, B, C, D, E, F, G, H)$  و مجموعه وابستگی‌های تابعی  $F = \{BE \rightarrow GH, G \rightarrow FA, D \rightarrow C, F \rightarrow B\}$

کدام گزینه نادرست است؟

(۲) رابطه  $R$  نرمال BCNF نیست.

(۱) رابطه  $R$  نرمال 3NF نیست.

(۴) کلیدی وجود ندارد که شامل  $D$  نباشد.

(۳) کلیدی وجود ندارد که شامل  $A$  نباشد.

۱۰۳- رابطه زیر را در نظر بگیرید:

**Course(cname, TA)**

وجود تاپل  $(c, t)$  در این جدول نشان می‌دهد که " $t$  کمک استاد" در درس  $c$  است.

می‌خواهیم همه زوج‌های  $(TA1, TA2)$  را بدست آوریم که  $TA1$  و  $TA2$  از هم متمایزند و حداقل در یک درس به عنوان کمک استاد با هم همکاری می‌کنند. می‌خواهیم هر زوج یک بار نوشته شود، به این معنی که  $(x, y)$  و  $(y, x)$  همزمان در نتیجه آورده نشوند. کدامیک از عبارات جبر رابطه ای زیر این درخواست را به درستی توصیف می‌کنند؟  $\rho_{a \rightarrow b}$  نشان دهنده تغییر نام یک صفت از  $a$  به  $b$  است.

$$(1) \pi_{TA1,TA2}(\rho_{TA \rightarrow TA1}(Course) \bowtie \rho_{TA \rightarrow TA2}(Course))$$

$$(2) \pi_{TA1,TA2}[\sigma_{TA1 < > TA2}(\rho_{TA \rightarrow TA1}(Course) \bowtie \rho_{TA \rightarrow TA2}(Course))]$$

$$(3) \pi_{TA1,TA2}[\sigma_{TA1 < TA2}(\rho_{TA \rightarrow TA1}(Course) \bowtie \rho_{TA \rightarrow TA2}(Course))]$$

(۴) هیچ کدام

۱۰۴ - شمای پایگاه داده زیر را در نظر بگیرید:

کارمندان: **Employee (eid, NN, ename)**

(هر کارمند یک شماره یکتا (eid) دارد و برای هر کارمند شماره ملی (NN) و نام (ename) او را نگه می‌داریم.)

بخش‌ها: **Department (did, dname, address)**

(هر بخش یک شماره یکتا (did) دارد و برای هر بخش نام (dname) و آدرس (address) آن را نگه می‌داریم.)

کارمندان هر بخش: **WorksIn (eid, did, salary)**

(هر کارمند در چه بخشی کار می‌کند و حقوق (salary) او چقدر است.)

پرس و جوی SQL زیر را در نظر بگیرید.

```
SELECT AVG(R.s)
FROM (SELECT SUM(W.salary) AS s
FROM Employee E, WorksIn W
WHERE E.eid = W.eid
GROUP BY W.did
UNION ALL
SELECT 0 AS s
FROM Department D
WHERE NOT EXISTS (SELECT *
FROM WorksIn W1
WHERE W1.did = D.did)) AS R;
```

نتیجه اجرای این پرس و جو بر نمونه زیر از جدول‌های Employee, Department, WorksIn چه خواهد بود؟

Employee		
eid	NN	ename
e1	111111	John
e2	222222	Jack
e3	333333	Bob
e4	444444	Joe

Department		
did	dname	address
d1	Books	a1
d2	Electronics	a2
d3	Health	a3

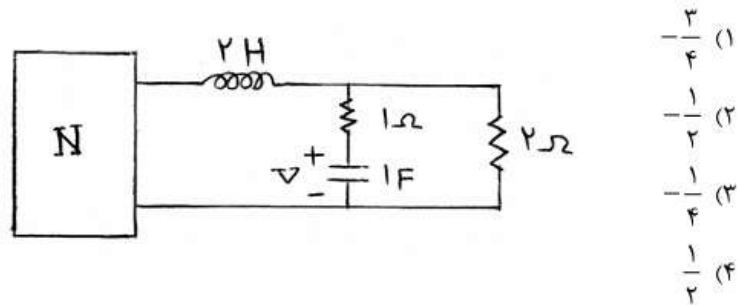
WorksIn		
eid	did	salary
e1	d1	1
e2	d1	3
e3	d1	4
e4	d3	4

(۱) ۶  
(۲) ۴  
(۳) ۳  
(۴) ۲

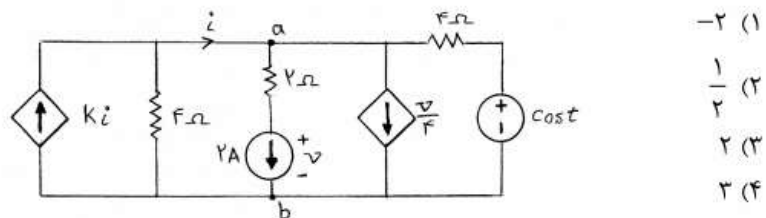
۱۰۵ - رابطه  $R(A, B, C, D)$  را در نظر بگیرید. کدامیک از گزینه‌های زیر صحیح نیست؟

- (۱) اگر  $A \rightarrow B$  و  $AB \rightarrow C$  آنگاه  $A \rightarrow C$
- (۲) اگر  $A \rightarrow B$  و  $BC \rightarrow D$  آنگاه  $AC \rightarrow D$
- (۳) اگر  $A \rightarrow B$  و  $AC \rightarrow D$  آنگاه  $AC \rightarrow BD$
- (۴) اگر  $AB \rightarrow BC$  و  $C \rightarrow D$  آنگاه  $A \rightarrow D$

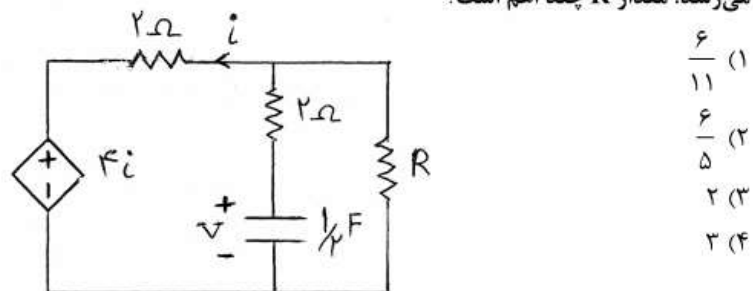
۱۰۶- اگر در مدار زیر  $v(t) = \sin t$  باشد توان متوسط  $N$  چند وات است؟



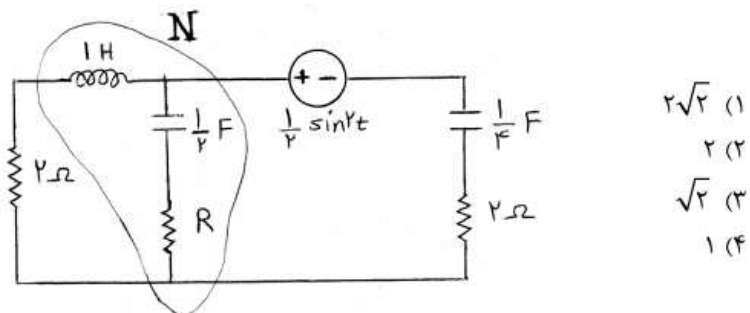
۱۰۷- اگر مقاومت معادل از  $a$  و  $b$  برابر  $4\Omega$  باشد مقدار  $k$  برابر است با:



۱۰۸- در مدار زیر ولتاژ خازن در مدت  $t = \frac{5}{3} \ln 2$  ثانیه به نصف مقدار اولیه‌اش می‌رسد. مقدار  $R$  چند اهم است؟



۱۰۹- به ازای چه مقداری از  $R$  توان متوسط  $N$  در حالت دائمی سینوسی، ماکزیمم است؟





۱۱۰- گراف وزن‌دار و بدون جهت  $G = (V, E)$  و یک درخت فراگیر کمینه از آن داده شده است. اگر به این گراف یک یال جدید با وزن نامنفی اضافه شود، درخت فراگیر کمینه‌ی جدید را در چه مرتبه‌ای می‌توان به دست آورد؟

$$\mathcal{O}(|V| + |E|) \quad (۱) \quad \mathcal{O}(|V|) \quad (۲) \quad \mathcal{O}(|V| \log |E|) \quad (۳) \quad \mathcal{O}(|E| \log |V|) \quad (۴)$$

۱۱۱- آرایه‌ای با  $n$  عنصر مجزا داده شده است. فرض کنید که  $a$  میانه‌ی این عناصر است. می‌خواهیم به تعداد  $k \leq n/2$  عنصر از این آرایه را انتخاب کنیم که میانه‌ی آن‌ها هم  $a$  باشد. اگر  $k$  یک پارامتر ورودی باشد، با چه مرتبه‌ای این کار را می‌توان انجام داد؟ بهترین جواب را علامت بزنید.

$$\mathcal{O}(n) \quad (۱) \quad \mathcal{O}(nk) \quad (۲) \quad \mathcal{O}(n \log k) \quad (۳) \quad \mathcal{O}(n \min\{\log n, k\}) \quad (۴)$$

۱۱۲- فرض کنید گراف همبند و بدون جهت  $G$  حداقل دارای ۳ رأس است. می‌دانیم ترتیب رؤیت رأس‌ها در جست‌وجوی عمق‌اول (DFS) و جست‌وجوی سطح‌اول (BFS) از یک رأس مشخص یکسان شده است. کدام گزینه غلط است؟

- (۱) گراف  $G$  می‌تواند گراف کامل باشد.
- (۲) قطر گراف  $G$  حداکثر ۲ است.
- (۳) گراف  $G$  می‌تواند یک گراف دوبخشی کامل باشد.
- (۴) گراف  $G$  حتماً یک درخت یا یک گراف کامل است.

۱۱۳- قرار است درخت دودویی جست‌وجویی از عناصر  $a_1 < a_2 < \dots < a_n$  بسازیم. فرض کنید که احتمال جست‌وجو برای  $a_i$  برابر  $p_i$  است و می‌دانیم که  $\sum_{i=1}^n p_i = 1$ . می‌خواهیم درختی بسازیم که میانگین زمان جست‌وجو برای عناصر آن، یعنی  $\sum_{i=1}^n p_i \times [\text{depth}(a_i) + 1]$ ، کمینه شود. اگر  $C_{ij}$  هزینه‌ی بهینه‌ی ساخت درخت دودویی جست‌وجو از عناصر  $a_i < a_{i+1} < \dots < a_j$  باشد، کدام یک از رابطه‌های زیر درست است؟ فرض کنید  $C_{i+1,i} = 0$ .

$$C_{ij} = \min_{i \leq k \leq j} \{C_{i,k-1}, C_{k+1,n}\} + \sum_{r=i}^j p_r \quad (۱)$$

$$C_{ij} = \min_{i \leq k \leq j} \{C_{i,k-1}, C_{k+1,n}\} \quad (۲)$$

$$C_{ij} = \min_{i < k < j} \{C_{i,k-1}, C_{k+1,n}\} + \sum_{r=i}^j p_r \quad (۳)$$

$$C_{ij} = \min_{i < k < j} \{C_{i,k-1}, C_{k+1,n}\} \quad (۴)$$

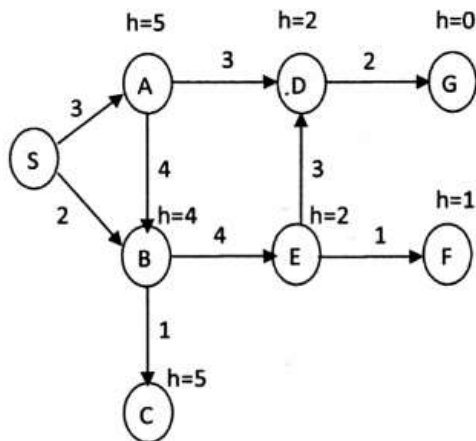
۱۱۴- فرض کنید دو عدد  $a$  و  $b$  بیتی را می‌توان با هزینه‌ای برابر  $\mathcal{O}(\max\{a, b\})$  جمع کرد. می‌خواهیم  $n$  عدد ۱ بیتی (0 یا 1) را با هم جمع کنیم. هزینه‌ی این کار بسته به ترکیب داده‌ی ورودی ممکن است متفاوت باشد. هزینه‌ی این کار در بهترین و بدترین حالت کدام است.

$$\begin{array}{ll} (۱) \text{ بهترین: } \mathcal{O}(\lg n) \text{ و بدترین: } \mathcal{O}(n) & (۲) \text{ بهترین: } \mathcal{O}(n) \text{ و بدترین: } \mathcal{O}(n \log n) \\ (۳) \text{ بهترین: } \mathcal{O}(\lg n) \text{ و بدترین: } \mathcal{O}(n \log n) & (۴) \text{ بهترین: } \mathcal{O}(n) \text{ و بدترین: } \mathcal{O}(n) \end{array}$$

۱۱۵- می‌خواهیم  $n$  پروژه را بر روی یک پردازنده اجرا کنیم. اجرای پروژه  $i$  ام  $p_i$  ثانیه طول می‌کشد و اجرای آن باید حداکثر تا زمان  $d_i$  به پایان برسد؛ در غیر این صورت باید به میزان  $d_i - t_i$  جریمه‌ی دیرکرد پرداخت شود که  $t_i$  زمان اتمام اجرای پروژه  $i$  ام است. هدف پیدا کردن الگوریتمی برای زمان‌بندی پروژه‌ها است که مجموع جریمه‌ی دیرکردها کمینه شود. اجرای پروژه‌ها براساس کدام یک از ترتیب‌های زیر مجموع جریمه‌ی دیرکردها را کمینه می‌کند؟

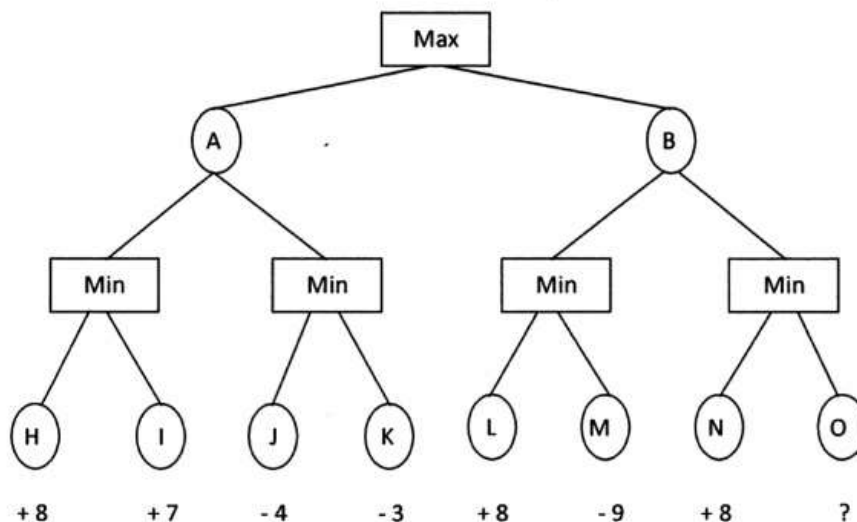
- (۱) به ترتیب غیرنزولی  $d_i$ ‌ها  
(۲) به ترتیب غیرنزولی  $p_i$ ‌ها  
(۳) به ترتیب غیرنزولی  $d_i - p_i$ ‌ها  
(۴) هیچ‌کدام

۱۱۶- در گراف مقابل، اعداد کنار یال‌ها هزینه عبور از آن یال و مقدار تابع اکتشافی  $h$  کنار هر گره نوشته شده است. کدام یک از گزینه‌های زیر (از چپ به راست) ترتیب ملاقات (Visit) گره‌های این گراف توسط روش  $A^*$  را نشان می‌دهد؟ فرض کنید فرزندان هر گره به ترتیب حروف الفبای لاتین تولید می‌شوند. در شرایط مساوی به گره‌ای که زودتر تولید شده است، اولویت دهید.



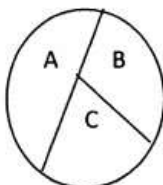
- (۱) S, B, A, D, E, G  
(۲) S, B, A, C, E, D, G  
(۳) S, B, A, C, E, D, F, G  
(۴) S, B, A, C, D, E, F, G

۱۱۷- در درخت زیر، دو گره A و B از نوع گره شانس (Chance) و معادل عمل تصادفی انداختن یک سکه هستند. در صورتی که بدانیم مقدار کمینه و بیشینه تابع ارزیابی گره‌های برگ، به ترتیب برابر با  $-10$  و  $+10$  است، در روش هرس آلفا-بتا، کدام یک از گره‌های این درخت هرس خواهند شد؟



- (۱) O  
(۲) N, O  
(۳) M, N, O  
(۴) K, N, O

۱۱۸ - مساله ارضای محدودیت (Constraint Satisfaction) رنگ کردن نقشه زیر را در نظر بگیرید. فرض کنید می‌خواهیم این نقشه را با تنها یک رنگ، رنگ‌آمیزی کنیم (شهرهای مجاور نباید هم‌رنگ باشند). با این فرض، گراف محدودیت (Constraint Graph) این مساله به ازای چه مقدار (مقادیر)  $K$ ، دارای خاصیت  $K$ -Consistency است؟



(۱) فقط  $K=0$

(۲) فقط  $K=1$

(۳)  $K=2$  و  $K=1$

(۴)  $K=3$  و  $K=1$

۱۱۹ - کدام یک از موارد زیر، فرم نرمال عطفی (Conjunctive Normal Form) جمله منطقی مرتبه اول مقابل است؟

$$\forall x [ \forall y [ \neg A(y) \vee B(x, y) \Rightarrow [ \neg \forall y B(y, x) ] ] ]$$

(۱)  $(A(f(x)) \vee \neg B(g(x), x)) \wedge (\neg B(x, f(x)) \vee \neg B(g(x), x))$

(۲)  $(A(y) \vee \neg B(y, x)) \wedge (\neg B(x, y) \vee \neg B(y, x))$

(۳)  $(A(f(x)) \vee \neg B(f(x), x)) \wedge (\neg B(x, f(x)) \vee \neg B(f(x), x))$

(۴)  $(A(y) \vee \neg B(g(y), x)) \wedge (\neg B(x, f(x)) \vee \neg B(g(y), x))$

۱۲۰ - برای استفاده از روش Resolution، لازم است پایگاه دانش و نقیض حکم مورد نظر، به فرم کلازال (Clausal Form) تبدیل شوند. پس از این تبدیل، عمل استاندارد سازی (متمايز کردن) متغیرهای کلازها انجام می‌شود. عدم انجام این استانداردسازی چه تاثیری بر عملکرد الگوریتم Resolution خواهد داشت؟

(۱) ویژگی صحیح بودن (Soundness) الگوریتم نقض می‌شود.

(۲) ویژگی کامل بودن (Completeness) الگوریتم نقض می‌شود.

(۳) هر دو ویژگی صحیح بودن و کامل بودن الگوریتم نقض می‌شود.

(۴) فقط از کارایی (سرعت) الگوریتم کاسته خواهد شد.

۱۲۱ - در هر مرحله از برنامه‌ریزی با ترتیب جزئی (Partial Order Planning)، یکی از اهداف (Goals) باقیمانده مساله انتخاب می‌شود. هدف انتخاب شده توسط یکی از کنش‌های (Actions) موجود در برنامه و یا اضافه کردن یک کنش جدید به برنامه تامین می‌شود. سپس برنامه از لحاظ تهدیدهای (Threats) احتمالی بررسی می‌شود. فرض کنید در مرحله ای از برنامه‌ریزی، هدف  $P$  انتخاب و به وسیله کنش  $A$  که در برنامه موجود بوده است، تامین شود. کدام یک از گزینه‌های زیر در مورد بررسی تهدیدهای احتمالی صحیح است؟

(۱) با توجه به اینکه کنش  $A$  در برنامه موجود بوده است، تهدید جدیدی رخ نمی‌دهد و در این حالت نیازی به بررسی نیست.

(۲) در این حالت، کافی است فقط احتمال تهدید شدن هدف  $P$  از سوی کنش‌های موجود در برنامه بررسی شود.

(۳) در هر حالت، لازم است کلیه اهداف به دست آمده از نظر تهدیدهای احتمالی از سوی کلیه کنش‌های موجود در برنامه بررسی شود.

(۴) کافی است احتمال تهدید شدن هدف  $P$  از سوی کنش‌های موجود در برنامه و تهدید شدن اهداف به دست آمده در مراحل قبل، از سوی کنش  $A$  بررسی شود.