



512

C

نام

نام خانوادگی

محل امضاء



جمهوری اسلامی ایران  
وزارت علوم، تحقیقات و فناوری  
سازمان سنجش آموزش کشور

اگر دانشگاه اصلاح شود مملکت اصلاح می‌شود.  
امام خمینی (ره)

دفترچه شماره ۱  
صبح جمعه  
۹۳/۱۱/۱۷

## آزمون ورودی دوره‌های کارشناسی ارشد ناپیوسته داخل - سال ۱۳۹۴

مجموعه مهندسی کامپیوتر - کد ۱۲۷۷

مدت پاسخگویی: ۱۴۰ دقیقه

تعداد سؤال: ۷۳

عنوان مواد امتحانی، تعداد و شماره سؤالات

ردیف	مواد امتحانی	تعداد سؤال	از شماره	تا شماره
۱	زبان عمومی و تخصصی (انگلیسی)	۳۰	۱	۳۰
۲	ریاضیات (ریاضیات مهندسی، آمار و احتمالات، محاسبات عددی، ساختمان‌های گسسته)	۱۶	۳۱	۴۶
۳	دروس تخصصی مشترک (ساختمان داده‌ها، نظریه زبانها و ماشینها، مدارهای منطقی، معماری کامپیوتر، سیستم عامل)	۲۷	۴۷	۷۳

این آزمون نمره منفی دارد.

استفاده از ماشین حساب مجاز نیست.

بهمن ماه - سال ۱۳۹۳

حق چاپ، تکثیر و انتشار سؤالات به هر روش (الکترونیکی و ...) پس از برگزاری آزمون، برای تمامی اشخاص حقیقی و حقوقی تنها با مجوز این سازمان مجاز می‌باشد و با منخلفین برابر مقررات رفتار می‌نماید.

## PART A: Vocabulary

**Directions:** Choose the word or phrase (1), (2), (3), or (4) that best completes each sentence. Then mark your answer sheet.

- 1- Being an honest person, she was unwilling to ----- Peter in the swindle he had planned.  
1) confirm                      2) abet                      3) jeopardize                      4) impede
- 2- The girl is surrounded by so many possessions that testify to her family's -----.  
1) opulence                      2) activism                      3) propensity                      4) elitism
- 3- The physician advised the ----- man to lose weight if he wanted to not be afflicted with different medical complications.  
1) craven                      2) sturdy                      3) immense                      4) obese
- 4- Enlightened slave owners were willing to ----- their slaves and thus put an end to the evil.  
1) initiate                      2) emancipate                      3) efface                      4) reject
- 5- One of the most striking aspects of Indian cultures was the production of ceremonial costumes and ornaments worn during religious -----.  
1) rituals                      2) subtleties                      3) fashions                      4) prefaces
- 6- The Clarks' ----- spending habits have put them in debt.  
1) extemporaneous                      2) divisive                      3) extravagant                      4) passionate
- 7- The people who had lost their homes in the fire tried to ----- whatever was salvageable from the ruins of that fire.  
1) confront                      2) extinguish                      3) exclude                      4) glean
- 8- The new study will test different doses for safety. And scientists should be able to tell if the antibodies ----- some of Alzheimer's devastating mind-robbing symptoms.  
1) emerge                      2) predict                      3) alleviate                      4) precede
- 9- Coaches often tell their players that a little nervousness is good because it keeps them on their -----.  
1) limbs                      2) toes                      3) fingers                      4) feet
- 10- Without liquids or food, people typically ----- after 10 to 14 days.  
1) diminish                      2) recede                      3) falter                      4) perish

## PART B: Cloze Passage

**Directions:** Read the following passage and decide which choice (1), (2), (3), or (4) best fits each space. Then mark your answer sheet.

Like most people, students tend to be overconfident about newly learned skills. This self-assessment problem can occur because the common educational practice of "massed training" promotes rapid acquisition of a skill—and self-confidence—but (11) ----- retention of that capability. In mass training, instructors teach students in one or a few intense sessions. Students (12) ----- such instruction quickly obtain the relevant knowledge. Yet skills taught in this way tend to decay rapidly, (13) ----- people remain unaware of this fact. (14) ----- more evident than in driver education. Although millions of dollars (15) ----- on such courses, they do not, the data suggest, produce safer drivers.

- 11- 1) not necessary for the                      2) necessarily none of the  
3) not necessarily the                      4) for no necessary
- 12- 1) undergo                      2) undergone                      3) by undergoing                      4) undergoing
- 13- 1) although                      2) however                      3) so that                      4) then



- 14- 1) Nowhere might this problem be  
 2) This problem nowhere might be  
 3) Nowhere might be this problem  
 4) Nowhere this problem might be  
 15- 1) spent  
 2) are spent  
 3) being spent  
 4) that are spent

### PART C: Reading Comprehension

**Directions:** Read the following four passages and answer the questions by choosing the best choice (1), (2), (3), or (4). Then mark the correct choice on your answer sheet.

#### PASSAGE 1:

Mobile data communication is omnipresent. The mobile Internet connects people anywhere and allows for voice services and the exchange of data and multimedia content at any time. Numerous innovations in the information and communication technology (ICT) sector have enabled exponential growth in network capacity, leading to the emergence of smart phones and a user-experience rich in multimedia. The Internet of Things (IoT) connects devices, or objects, to increase their efficiency by exploiting the potential of networking. The next wave of innovation will create the Tactile Internet. Extremely low latency in combination with high availability, reliability and security will define the character of the Tactile Internet. It will have a marked impact on business and society, introducing numerous new opportunities for emerging technology markets and the delivery of essential public services. The potentials of the Tactile Internet rely on application fields ranging from industry automation and transport systems to healthcare, education and gaming.

- 16- **Suggest a suitable title for the provided passage**  
 1) The future of Internet governance  
 2) Management of IoT services and applications  
 3) Vision Tactile Internet - The next wave of future innovation area  
 4) tam The Internet, one of the most disruptive technologies of the 20th century
- 17- **According to the provided passage, which of the suggested platforms has increased people communication?**  
 1) Automation and transport systems  
 2) Mobile internet and IoTs  
 3) Voice services  
 4) Social media
- 18- **Which of the following phrases is NOT highlighted about Tactile Internet in the provided passage?**  
 1) One of the key features for Tactile Internet is low latency  
 2) The market impact of Tactile Internet is unknown as a new concept  
 3) A tangible platform to provide new opportunities for emerging technologies including smart phones  
 4) The Tactical Internet's demands on future digital infrastructure and its expected impact on society are enormous



**PASSAGE 2:**

The debate over the balance between privacy and security continues to rage. On the one hand, the desire for privacy is nearly universal and many people regard personal information as personal property to be divulged only by choice or when required for a greater good. On the other hand, criminal and terrorist activity on the internet continues to increase, and national security and public safety are often seen as legitimate reasons for government to intervene to collect personal information. The collection, without permission, of personal information by commercial enterprises for profit-related activities adds a further layer of complexity.

**19- Which of the following can be a suitable title for the above passage?**

- 1) What new risks are generated by Big Data and the Internet of Things.
- 2) Should our right to privacy be secondary to the need to protect national security.
- 3) The future of data protection in the EU - political, legal and technical implementation of the right to be forgotten.
- 4) The current cyber-threat landscape and national/international responses.

**20- The underlined term "rage" in this context means:**

- 1) become outrageous
- 2) to extravagant
- 3) grossly offensive to decency, authority, etc
- 4) to spread rapidly and uncontrollably

**21- According to the provided passage:**

- 1) Personal information used by authority helps securing the Internet
- 2) People are happy to reveal their information to as personal property.
- 3) It becomes more complicated when the data is divulged to the marketing sector without their consent.
- 4) Legitimate reasons for the government cause criminal and terrorist activity on the internet.

**22- The term "intervene" underlined in the provided passage means:**

- 1) to interpose and become a party to a legal action between others
- 2) to preface and serve as an introduction to
- 3) to prevent and impede from happening
- 4) to precede and exist before

**PASSAGE 3:**

As microcosms of the Internet of Everything (IoE), cities stand to benefit the most from connecting people, process, data, and things. Cities are developing IoE-related projects, platforms, and implementations. Importantly, the IoE ambitions and scope are designed to respond to the need for real-time, context-specific information intelligence and analytics to address specific local imperatives. IoE technical architectures for cities require seamless integration of sensors in a mutualised communication environment. Traditionally, a specific network is deployed around a given application, such as streetlight management, video surveillance, or environmental monitoring. While separate networks provide a natural separation of domains, typically they are not optimised (costs, security, availability), bringing about information silos. In addition, interaction between the sensor and devices in each network requires specific integration.



- 23- According to the provided passage, what is the key challenge for the smart city realisation?
- 1) Connecting people
  - 2) Data analysis
  - 3) Integration of networks
  - 4) Seamless architecture model
- 24- What are the drawbacks of running separated traditional networks and domains?
- 1) Difficult surveillance and environmental monitoring
  - 2) Complexity, security and availability
  - 3) Seamless integration of sensor networks
  - 4) Deployment of specific applications
- 25- Which of the following points is incorrect?
- 1) Separated domains are optimised w.r.t. costs, security, and availability.
  - 2) Interaction between the sensor and devices in each network requires specific integration.
  - 3) Smart cities demand for a seamless integration of sensors in a mutualised communication environment.
  - 4) The IoE scope is mainly focused on the need for real-time data delivery and context-specific information intelligence and analytics.

**PASSAGE 4:**

Traditional supercomputers focused on performing calculations at blazing speeds have fallen behind when it comes to sifting through huge amounts of "Big Data." Today, with the fast advance of big data science, analytics and technology, big data researchers and application professionals are able to access to diverse data mining and machine learning algorithms, open-source platforms & tools, and cloud DB technology and big data access technologies. When dealing with larger datasets, organizations face difficulties in being able to create, manipulate, and manage big data. Big data is particularly a problem in business analytics because standard tools and procedures are not designed to search and analyse massive datasets.

According to IDC's prediction in 2013, the market for big data will reach \$16.1 billion in 2014, growing 6 times faster than the overall IT market. Emergent big data computing and services can be used in many disciplines and diverse applications, including business management, library science, energy and environment, biomedical, and healthcare and life science, social media and networking, smart city, and transportation, etc.

- 26- According to the provided passage, which of the following statements is correct:
- 1) Scalable and efficient big data computing services is one of the main challenges of BigData domain.
  - 2) Well-defined domain-specific big data knowledge engineering and analytic intelligence are currently in place.
  - 3) Super computers with blazing speed are already in place for big data infrastructures to support with high-quality big data DB technologies and tools.
  - 4) Various big data banks and resources with quality data collection, validation, evaluation and certification methods and standards are only required for hospitals /and e-health applications.
- 27- Provide a synonym for underlined word "sift through" in the passage:
- 1) Data mining
  - 2) Big data computing
  - 3) Break through the data
  - 4) Examine a lot of things carefully
- 28- The underlined term "Emergent" in the provided passage means:
- 1) Critical
  - 2) Emergency
  - 3) Prominent
  - 4) interesting



- 29- According to the provided passage, which one of the followings best describes the main financial driver for Big Data innovations?
- 1) The ever growing market for big data for the overall IT market across different disciplines.
  - 2) Big Data and Service Sharing in big data banks and resources, portals, platforms, and open-sources, technology and tools.
  - 3) Diverse data mining and machine learning algorithms, open-source platforms & tools, and cloud DB technology and big data access technologies.
  - 4) Big Data applications in real world and service projects for major application domains, including energy and environment, medical and healthcare, library, social media and networking, and education.
- 30- Which of the following statements is incorrect?
- 1) The big data market grows six times faster than the overall IT market.
  - 2) Existing hardware platforms are not fast enough for performing calculations of huge amounts of "Big Data."
  - 3) The larger the datasets, organizations can create, manipulate, and manage big data.
  - 4) Current standard tools, machine learning and data mining algorithms cannot tackle the search and analysis of massive datasets.

ریاضیات (ریاضیات مهندسی، آمار و احتمالات، محاسبات عددی، ساختمان‌های گسسته):

۳۱- اگر سری فوریه تابع  $f(x) = \begin{cases} 1 & -\pi < x < 0 \\ \sin x & 0 < x < \pi \end{cases}$  ،  $f(x) = f(x + 2\pi)$  به صورت

$f(x) = \frac{a_0}{2} + \sum_{n=1}^{\infty} (a_n \cos nx + b_n \sin nx)$  باشد، کدام گزینه در مورد ضرایب سری فوریه صحیح است؟

(۱)  $a_n = 0, n = 2k + 1$  و  $b_n = 0, n = 2k + 1$

(۲)  $a_n = 0, n = 2k$  و  $b_n = 0, n = 2k + 1$

(۳)  $a_n = 0, n = 2k$  و  $b_n = 0, n = 2k$

(۴)  $a_n = 0, n = 2k + 1$  و  $b_n = 0, n = 2k$

۳۲- معادله لاپلاس در مختصات قطبی  $\frac{1}{r} \frac{\partial}{\partial r} (r \frac{\partial u}{\partial r}) + \frac{1}{r^2} \frac{\partial^2 u}{\partial \theta^2}$  را همراه با شرط مرزی  $u(a, \theta) = \begin{cases} 2\theta & 0 < \theta < \pi \\ 0 & \pi < \theta < 2\pi \end{cases}$

در نظر بگیرید. در این صورت مقدار  $u(0, \theta)$  چقدر است؟

(۱)  $2\pi$

(۲)  $\pi$

(۳)  $\frac{\pi}{2}$

(۴)  $0$

۳۳- حاصل انتگرال مختلط  $\oint_{|z|=2} z^2 \bar{z} e^{z-1} dz$  کدام است؟

(۱)  $\frac{7\pi i}{3}$

(۲)  $\frac{13\pi i}{3}$

(۳)  $\frac{15\pi i}{3}$

(۴)  $\frac{19\pi i}{3}$

۳۴- اگر  $u = \psi(x, t)$  جواب معادله دیفرانسیل پاره‌ای با شرایط اولیه زیر باشد، آنگاه مقدار  $\psi\left(\frac{\pi}{2}, \frac{\pi}{6}\right)$  کدام است؟

$$u_{tt} - u_{xx} = 0 \quad -\infty < x < \infty, t > 0$$

$$u(x, 0) = \sin x$$

$$u_t(x, 0) = \cos x$$

(۱)  $\frac{1}{2}$

(۲)  $\frac{1}{\sqrt{2}}$

(۳)  $\frac{\sqrt{2}}{2}$

(۴) ۱

۳۵- کارخانه‌های A و B یک مولفه‌ی الکتریکی را تولید می‌کنند که با احتمال‌های به ترتیب ۰/۰۵ و ۰/۰۱ معیوب هستند اگر دو مولفه‌ای که توسط یک کارخانه (با احتمال برابر) تولید شده‌اند را خریداری کنیم و اولین مولفه معیوب باشد، احتمال شرطی اینکه دومی نیز معیوب باشد، کدام است؟

(۱)  $\frac{13}{50}$

(۲)  $\frac{13}{100}$

(۳)  $\frac{13}{200}$

(۴)  $\frac{13}{300}$

۳۶- اگر طول عمر (بر حسب سال) یک مولفه‌ی کامپیوتری از توزیع گاما با میانگین ۶ و واریانس ۱۸ تبعیت کند، احتمال این که این مولفه حداقل ۹ سال عمر کند، کدام است؟

(۱)  $4e^{-2}$

(۲)  $2e^{-2}$

(۳)  $2e^{-2}$

(۴)  $e^{-2}$

۳۷- فرض کنید  $x_1, \dots, x_n$  یافته‌های یک نمونه‌ی تصادفی از جامعه‌ای با تابع چگالی احتمال زیر باشد:

$$f(x; \theta) = \begin{cases} (\theta + 1)x^\theta & 0 < x < 1 \\ 0 & \text{سایر جاها} \end{cases}$$

برآورد  $\theta$  به روش گشتاوری، کدام است؟

$$\frac{\bar{x} - 1}{1 - 2\bar{x}} \quad (1)$$

$$\frac{2\bar{x} + 1}{1 - \bar{x}} \quad (2)$$

$$\frac{2\bar{x} - 1}{1 - \bar{x}} \quad (3)$$

$$\frac{2\bar{x} - 1}{1 + \bar{x}} \quad (4)$$

۳۸- فرض کنید  $X \sim B(4, p)$  باشد. برای آزمون  $H_0: p = 0.2$  در مقابل  $H_1: p > 0.2$  اگر  $X = 4$  باشد،

فرض  $H_0$  را رد کنید. احتمال خطای نوع اول کدام است؟

$$0.0032 \quad (1)$$

$$0.0016 \quad (2)$$

$$0.05 \quad (3)$$

$$0.016 \quad (4)$$

۳۹- اگر  $p(x)$  و  $q(x)$  دو چندجمله‌ای درونیاب لاگرانژ از درجه  $n$  به ترتیب در نقاط گره‌ای

$\{(x_i, y_i) : i = 0, \dots, n\}$  و  $\{(x_i, y_i) : i = 1, \dots, n+1\}$  باشند. چندجمله‌ای درونیاب لاگرانژ حداکثر از

درجه  $n+1$  در نقطه گره‌ای  $\{(x_i, y_i) : i = 0, \dots, n+1\}$ ، کدام است؟

$$\frac{(x - x_0)q(x) - (x - x_{n+1})p(x)}{x_{n+1} - x_0} \quad (1)$$

$$\frac{(x - x_0)p(x) - q(x)}{x_{n+1} - x_0} \quad (2)$$

$$\frac{(x - x_{n+1})q(x) - (x - x_0)p(x)}{x_{n+1} - x_0} \quad (3)$$

$$\frac{(x - x_0)q(x) - p(x)}{x_{n+1} - x_0} \quad (4)$$



۴۰- تابع  $f(x)$  در  $x = \alpha$  دارای ریشه مضاعف و  $f''$  در همسایگی  $\alpha$  تعریف شده است. اگر دنباله  $\{x_n\}$  برای حل معادله  $f(x) = 0$  به روش نیوتن به دست آمده باشد، کدام صحیح است؟ (a) و b بین  $\alpha$  و  $x_n$  واقع هستند)

$$\frac{x_{n+1} - \alpha}{(x_n - \alpha)^2} = \frac{f''(a)}{2f'''(b)} \quad (1)$$

$$\frac{x_{n+1} - \alpha}{(x_n - \alpha)^2} = \frac{f''(a)}{2f'(b)} \quad (2)$$

$$\frac{x_{n+1} - \alpha}{x_n - \alpha} = \frac{f''(a)}{2f'''(b)} \quad (3)$$

$$\frac{x_{n+1} - \alpha}{x_n - \alpha} = \frac{f''(a)}{2f''(b)} \quad (4)$$

۴۱- در محاسبه  $\int_0^1 (x^6 - mx^5) dx$ ، خطای روش دوزنقه از روش سیمپسون کمتر است. حدود  $m$ ، کدام است؟

$$\frac{15}{14} < m < \frac{15}{74} \quad (1)$$

$$\frac{23}{48} < m < \frac{57}{63} \quad (2)$$

$$\frac{217}{210} < m < \frac{263}{238} \quad (3)$$

$$\frac{237}{215} < m < \frac{279}{193} \quad (4)$$

۴۲- چند سه‌تایی  $(A, B, C)$  از زیرمجموعه‌های  $\{1, 2, 3, 4\}$  در نامساوی زیر صدق می‌کنند؟

$$A \cap B \subseteq C \subseteq A \cup B$$

- |          |          |
|----------|----------|
| ۴۵۰ (۲)  | ۱۲۹۶ (۱) |
| ۱۰۲۴ (۴) | ۶۲۵ (۳)  |

۴۳- فرض کنید  $G$  گرافی مسطح و همبند با ۱۶ رأس باشد که درجه‌ی هر رأس آن ۴ است. وقتی این گراف به صورت مسطح در صفحه قرار می‌گیرد، هر یک از ناحیه‌های منتهای ایجادشده سه‌ضلعی یا چهارضلعی هستند و مرز ناحیه‌ی نامتناهی نیز از چهار یال تشکیل شده است. چند ناحیه‌ی سه‌ضلعی در این گراف وجود دارد؟

- |        |       |
|--------|-------|
| ۸ (۲)  | ۷ (۱) |
| ۱۰ (۴) | ۹ (۳) |

۴۴- فرض کنید رابطه‌ی  $R = \{(a, b), (b, c), (b, d), (c, e), (d, e), (c, f), (e, a)\}$  بر روی مجموعه‌ی شش‌عضوی  $\{a, b, c, d, e, f\}$  تعریف شده است. بستار تعدی  $R$  چند عضو دارد؟

- |        |        |
|--------|--------|
| ۳۶ (۲) | ۲۵ (۱) |
| ۳۰ (۴) | ۳۱ (۳) |

۴۵- با فرض درستی گزاره‌های  $(p \wedge q) \vee r$  و  $r \rightarrow s$  کدام یک از گزاره‌های زیر را نمی‌توان استنتاج کرد؟

- |                |                |
|----------------|----------------|
| $q \vee s$ (۲) | $p \vee s$ (۱) |
| هر سه (۴)      | $p \vee q$ (۳) |

۴۶- رقم یکان عدد  $1 + 2^{1292} + 3^{1292} + 4^{1292}$  چند است؟

- |       |       |
|-------|-------|
| ۲ (۲) | ۰ (۱) |
| ۸ (۴) | ۶ (۳) |



دروس تخصصی مشترک (ساختمان داده‌ها، نظریه زبانها و ماشینها، مدارهای منطقی، معماری کامپیوتر، سیستم عامل):

۴۷- فرض کنید در الگوریتم مرتب‌سازی سریع پس از عمل بخش‌بندی (Partition) آرایه‌ی  $(3, 1, 2, 4, 5, 8, 7, 6, 9)$  به دست آمده است. چند عدد از بین ۹ عدد در آرایه ممکن است محور این بخش‌بندی قرار گرفته باشند؟

- (۱) ۳  
(۲) ۲  
(۳) ۵  
(۴) ۴

۴۸- می‌خواهیم مجموعه‌ای از  $n$  لیست خطی داشته باشیم که بتوانیم اعمال زیر را بر روی آن‌ها انجام دهیم:

- $Insert(x, i)$ : درج عنصر جدید  $x$  در لیست  $i$ . هزینه‌ی این کار ۱ واحد است.
- $Sum(i)$ : جمع همه‌ی عناصر لیست  $i$  را به دست آورده و کل لیست را با یک عنصر با مقدار جمع به دست‌آمده جایگزین می‌کند. هزینه‌ی این کار برابر تعداد عناصر موجود در لیست  $i$  هنگام اجرای عمل فوق است.

اگر با لیست‌های تهی آغاز کنیم و اعمال گفته‌شده را به ترتیب دل‌خواه انجام دهیم، هزینه‌ی سرشکن هر یک از اعمال بالا متناسب با کدام گزینه است؟

- (۱) درج: ۲، جمع: ۱  
(۲) درج: ۱، جمع: ۲  
(۳) درج: ۱، جمع:  $n$   
(۴) درج:  $n$ ، جمع: ۱

۴۹- فرض کنید برای درهم‌سازی از روش زنجیره‌ای با یک جدول به اندازه‌ی  $m$  استفاده شده است. تابع درهم‌ساز رکورد با کلید  $k$  را به خانه‌ی  $k \bmod m$  نگاشت می‌کند. اگر بدانیم کلید رکوردها زیرمجموعه‌ی  $\{i^2 \mid 1 \leq i \leq 100\}$  است، به ازای کدام یک از  $m$ ‌های زیر هزینه‌ی جست‌وجو در بدترین حالت کم‌تر است؟

- (۱) ۱۱  
(۲) ۷  
(۳) ۹  
(۴) ۱۳

۵۰- کدام گزینه حل تابع بازگشتی زیر است؟

$$T(n) = T(\log n) + O(1), \quad T(1) = 1$$

- (۱)  $O(\log n)$   
(۲)  $O(\log^2 n)$   
(۳)  $O(\log^* n)$   
(۴)  $O(n/\log n)$

۵۱- فرض کنید گره  $x$  باید بعد از گره  $n$  در یک لیست دوسویه درج شود. کدام گزینه به درستی اشاره‌گرها را مقداردهی می‌کند. (ترتیب عملیات‌ها از چپ به راست است و فرض کنید  $next[n]$  وجود دارد.)

(۱)  $next[x] = next[n]; prev[x] = prev[next[n]]; next[n] = x;$   
 $prev[next[n]] = x;$

(۲)  $next[n] = x; prev[x] = n; next[prev[n]] = x; prev[next[x]] = x;$

(۳)  $next[n] = x; prev[x] = n; next[prev[x]] = x; prev[next[x]] = x;$

(۴)  $next[x] = next[n]; prev[x] = n; next[n] = x; prev[next[x]] = x;$

۵۲- یک درخت دودویی جست‌وجوی متوازن با  $n$  رأس را در نظر بگیرید. در هر گره، تعداد عناصر موجود در زیردرخت به ریشه‌ی آن گره را ذخیره کرده‌ایم. چند تا از اعمال زیر را می‌توان در زمان  $O(\log n)$  انجام داد؟

- یافتن مرتبه‌ی یک عنصر داده‌شده
- یافتن تعداد عناصر بین  $a$  و  $b$  ( $a < b$ ) داده‌شده
- یافتن جمع عناصر بین  $a$  و  $b$  ( $a < b$ ) داده‌شده

- |       |       |
|-------|-------|
| ۱ (۲) | ۰ (۱) |
| ۳ (۴) | ۲ (۳) |



۵۳- کدام زبان ذاتاً مبهم است؟

$$L = \{a^n b^{2n} c : n \geq 0\} \cup \{a^{2n} b^n d : n \geq 0\} \quad (1)$$

$$L = \{a^n b^m c^p : n \neq m\} \cup \{a^n b^m c^p : m \neq p\} \quad (2)$$

$$L = \{a^n b a^{2n} : n \geq 0\} \cup \{a^{2n} b a^n : n \geq 0\} \quad (3)$$

$$L = \{\omega : \omega \in \{a, b\}^* \text{ را ندارد } abab\} \cup \{\omega : \omega \in \{a, b\}^* \text{ را ندارد } baba\} \quad (4)$$

۵۴- کدام عبارت در مورد گرامر زیر صحیح است؟

$S \rightarrow SBA \mid a$

$BA \rightarrow AB$

$aA \rightarrow aaB$

$B \rightarrow b$

(۱) یک زبان حساس به متن و غیر مستقل از متن را معرفی می کند.

(۲) یک زبان مستقل از متن و غیرخطی را معرفی می کند.

(۳) یک زبان مستقل از متن و خطی را معرفی می کند.

(۴) قادر به تولید هیچ رشته ای نیست.

۵۵-  $G$  یک گرامر مستقل از متن است. کدام عبارت نادرست است؟

(۱) الگوریتمی وجود دارد که می گوید آیا  $\bar{L}(G)$  (مکمل زبان گرامر  $G$ ) تهی هست یا خیر

(۲) الگوریتمی وجود دارد که می گوید آیا  $L^R(G)$  (معکوس زبان گرامر  $G$ ) متناهی هست یا خیر

(۳) الگوریتمی وجود دارد که می گوید آیا  $L(G)$  متناهی هست یا خیر

(۴) الگوریتمی وجود دارد که می گوید آیا  $L^*(G)$  تهی هست یا خیر

۵۶- زبان های زیر را در نظر بگیرید:

$$L_1 = \{w_1 c w_2 : w_1, w_2 \in \{a, b\}^*, w_1 \neq w_2\}$$

$$L_2 = \{w_1 c w_2 : w_1, w_2 \in \{a, b\}^*, w_1 = w_2\}$$

کدام یک از عبارت زیر صحیح است؟

(۱)  $L_1$  مستقل از متن نیست،  $L_2$  مستقل از متن است،  $L_1$  مکمل  $L_2$  است.

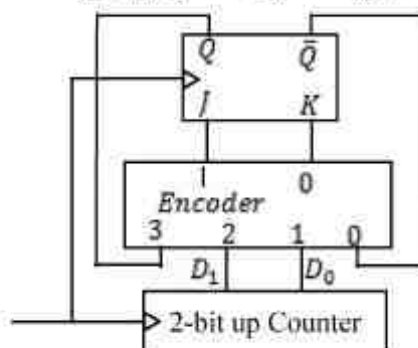
(۲)  $L_1$  مستقل از متن نیست،  $L_2$  مستقل از متن نیست،  $L_1$  مکمل  $L_2$  نیست.

(۳)  $L_1$  مستقل از متن است،  $L_2$  مستقل از متن نیست،  $L_1$  مکمل  $L_2$  است.

(۴)  $L_1$  مستقل از متن است،  $L_2$  مستقل از متن نیست،  $L_1$  مکمل  $L_2$  نیست.

۵۷- در انکدر مدار شکل زیر، اولویت عدد بزرگتر بیشتر است در صورتی که حالت اولیه صفر باشد، پس از چند

پالس ساعت  $Q$  پس از یک شدن به صفر تغییر حالت خواهد یافت؟



۲ (۱)

۳ (۲)

۴ (۳)

۵ (۴)

۵۸- تعداد PI (prime Implicant) های تابع منطقی زیر چه تعداد است و از این تعداد چند تا EPI (Essential PI) می باشند؟ (به ترتیب از راست به چپ)

$$f(a, b, c, d) = \sum m(0, 2, 4, 5, 8, 10, 11, 13, 15)$$

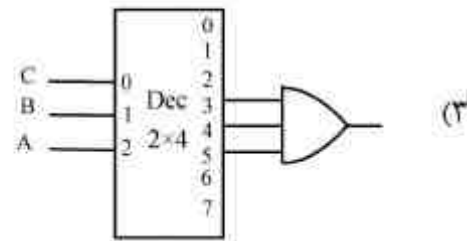
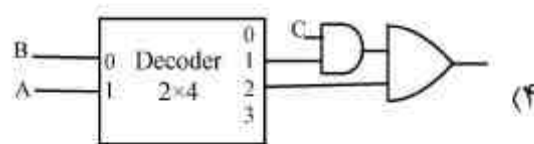
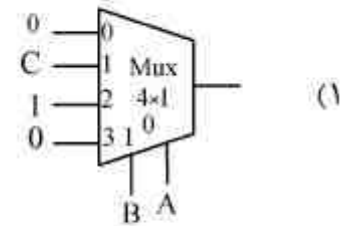
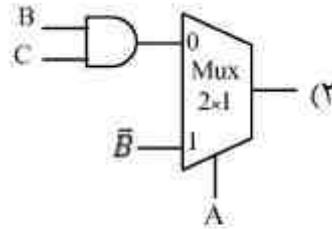
(۱) ۴ و ۱

(۲) ۷ و ۱

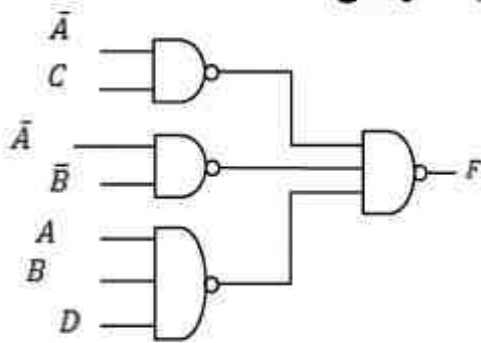
(۳) ۷ و ۲

(۴) ۸ و ۲

۵۹- عملکرد مدارهای نمایش داده شده در کدام موارد زیر با سایرین متفاوت است؟



۶۰- برای تابع F، آیا مخاطره ایستا (static hazard) وجود دارد؟ تحت چه شرایطی؟



(۱) اگر  $B = C = D = 1$  باشد فقط به ازای تغییر A از مقدار ۱ به مقدار ۰، امکان مخاطره ایستای ۱ وجود دارد.

(۲) اگر  $B = C = D = 1$  باشد فقط به ازای تغییر A از مقدار ۰ به مقدار ۱، امکان مخاطره ایستای ۰ وجود دارد.

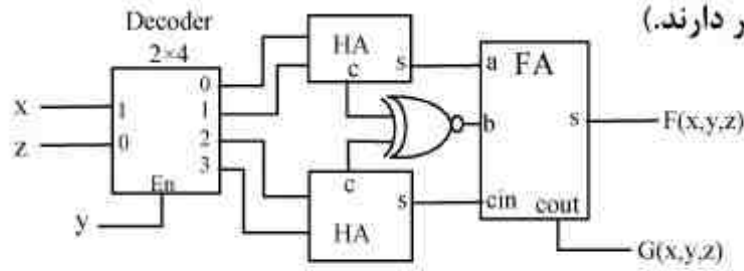
(۳) اگر  $B = C = D = 1$  باشد به ازای هر تغییر در مقدار A، امکان مخاطره ایستای ۰ وجود دارد.

(۴) اگر  $B = C = D = 1$  باشد به ازای هر تغییر در مقدار A، امکان مخاطره ایستای ۱ وجود دارد.



۶۱- در مورد دو تابع  $F$  و  $G$  کدام عبارت صحیح است؟

(خروجی‌های دیکدر در زمان غیر فعال بودن، مقدار صفر دارند.)



(۱) برابرند.

(۲) متمم هم هستند.

(۳) تعداد یکای تابع  $F$  بیشتر از تعداد یکای تابع  $G$  است.

(۴) تعداد صفرهای تابع  $F$  بیشتر از تعداد صفرهای تابع  $G$  است.

۶۲- مقدار اعداد نمایش داده شده در کدام مبنا با سایر موارد زیر متفاوت است؟

(۱)  $(19/1)_{16}$

(۲)  $(25/0625)_{10}$

(۳)  $(31/01)_8$

(۴)  $(11001/00001)_2$

۶۳- در یک سیستم دیجیتال با مدار کنترل ریز برنامه‌سازی شده، کل الگوهای متفاوت فعالیت ۳۲ سیگنال

کنترلی سیستم ۴۵۰ عدد است. با فرض اینکه حجم ریز حافظه ( $\mu$  Memory) ۱k ریز دستور است،

استفاده از تکنیک نانو حافظه (Nano memory) چند بیت از حجم ریز حافظه می‌کاهد؟

(۱) ۲۲ k bits

(۲) ۲۳ k bits

(۳) ۴۵۰ k bits

(۴)  $9 \text{ k bits} + 450 \times 32 \text{ k bits}$

۶۴- در یک ماشین سه آدرسه از شیوه‌های نشانی‌دهی مستقیم حافظه‌ای و ثباتی استفاده شده است. حجم

حافظه اصلی  $2^{20}$  واحد آدرس‌پذیر هشت بیتی و طول کلمه برابر چهار واحد آدرس‌پذیر است. اگر تعداد

دستورات یک کلمه‌ای برابر تعداد دستورات نیم کلمه‌ای باشد، در آن صورت ماشین دارای چند ثبات همه

منظوره است؟

(۱) ۸

(۲) ۱۶

(۳) ۳۲

(۴) با این فرضیات قابل تعیین نیست.

۶۵- هشت دستگاه ورودی از طریق خط وقفه مشترک آمادگی خود را در جهت انتقال داده از دنیای بیرون

کامپیوتر به حافظه اعلام می‌کنند. پردازنده پس از دریافت وقفه و پذیرش آن، جهت تشخیص دستگاه‌های

وقفه دهنده به دستگاه‌ها سرکشی کرده و از طریق خواندن کلمه وضعیت آن‌ها مشخص می‌کند کدام

دستگاه تقاضای انتقال داده دارد. با مشخص شدن دستگاه مذکور، پردازنده انتقال داده از آن دستگاه به

حافظه را از طریق یک فرمان DMA انجام می‌دهد. کدام عبارت در مورد روش I/O در این سیستم

صحیح‌تر است؟

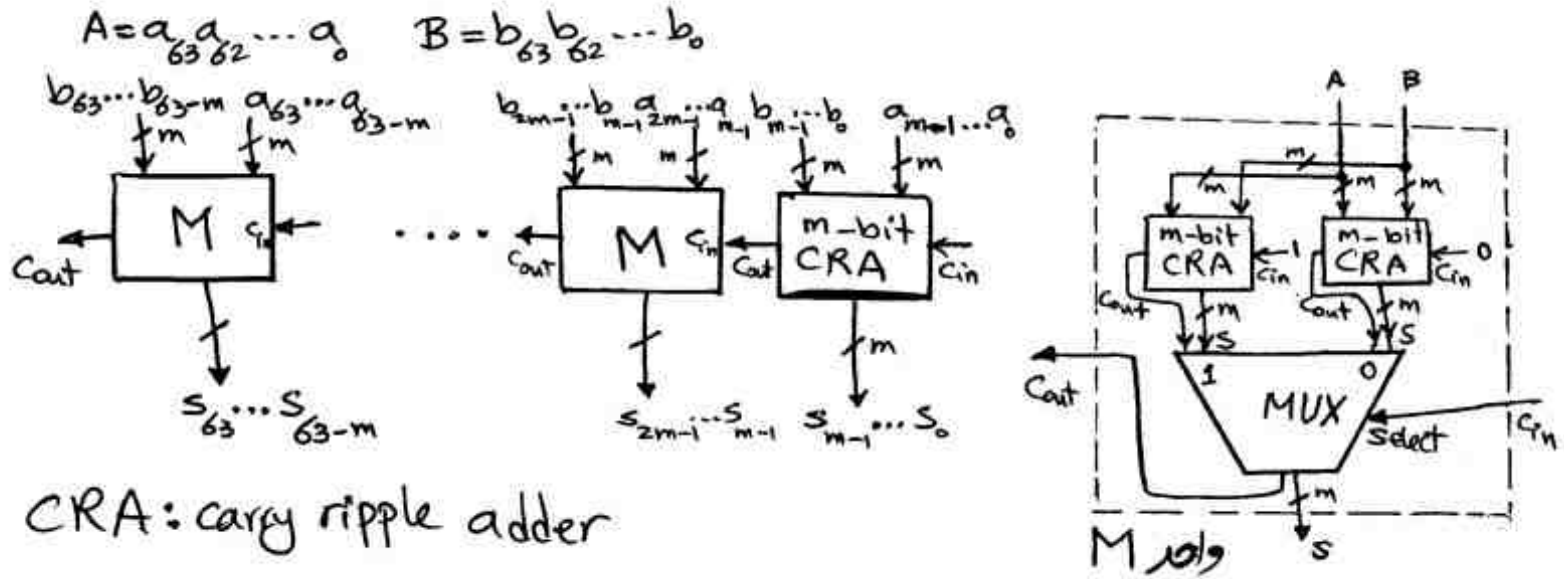
(۱) روشی ترکیبی از Interrupted I/O و DMA است.

(۲) روشی ترکیبی از Programmed I/O و DMA است.

(۳) روشی ترکیبی از Interrupted I/O و Programmed I/O است.

(۴) روشی ترکیبی از Interrupted I/O و Programmed I/O و DMA است.

۶۶- برای جمع دو عدد ۶۴ بیتی A و B از واحدهای m-bit carry ripple adder و Multiplexer طبق شکل زیر استفاده می‌کنیم. تأخیر عمل جمع مذکور در چه صورت کمترین است؟

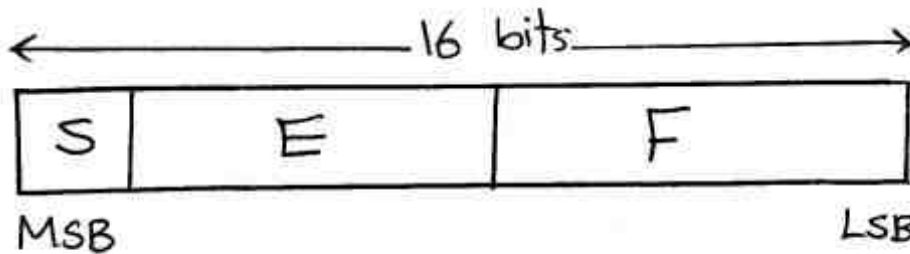


m = ۴ (۴)      m = ۸ (۳)      m = ۱۶ (۲)      m = ۳۲ (۱)

۶۷- در یک سیستم کامپیوتری از حافظه مجموعه - انجمنی ۸ راهه (8 way set Associative) به ظرفیت 512kByte و اندازه بلوک ۶۴ بایت استفاده شده است. ظرفیت حافظه اصلی ۳۲ مگابایت می‌باشد. اندازه نشانه یا tag آدرس چند بیت است؟

- ۸ (۱)
- ۹ (۲)
- ۱۴ (۳)
- ۱۵ (۴)

۶۸- اگر عدد  $(-9,9\dots9)_{10}$  در یک سیستم نمایش اعداد ممیز شناور با فرمت کلی زیر به صورت  $C8FF_{16}$  کد شود، تعداد بیت‌های تخصیص داده شده به توان (E) و بخش اعشاری (F) کدام است؟



- E: ۷ , F: ۸ (۱)
- E: ۶ , F: ۹ (۲)
- E: ۵ , F: ۱۰ (۳)
- E: ۴ , F: ۱۱ (۴)

$$\text{مقدار عدد} = (-1)^S * 1.F * 2^{E-\text{Bias}}$$

۶۹- کدام یک از عبارات زیر صحیح است؟

- (۱) اندازه آدرس‌های مجازی و فیزیکی با هم برابر است.
- (۲) dispatcher اولویت ریسه‌ها (thread) ها را تعیین و مقدار دهی می‌نماید.
- (۳) اگر یک ریسه (Thread), cpu-bound باشد باید اولویت آن برای دسترسی به IO بالاتر از ریسه‌های IO-bound باشد.
- (۴) اگر در یک سیستم مدیریت حافظه garbage collection استفاده شود این سیستم دچار fragmentation نمی‌شود.



- ۷۰- کدام یک از روش‌های زیر برای پیاده‌سازی سمافور در سیستم با چند پردازنده، مناسب است؟  
 (۱) با استفاده از دستور Test & set و Busy waiting  
 (۲) استفاده از flag و Busy waiting  
 (۳) با استفاده از ویژگی‌های زبان‌های سطح بالا  
 (۴) غیر فعال نمودن وقفه‌ها

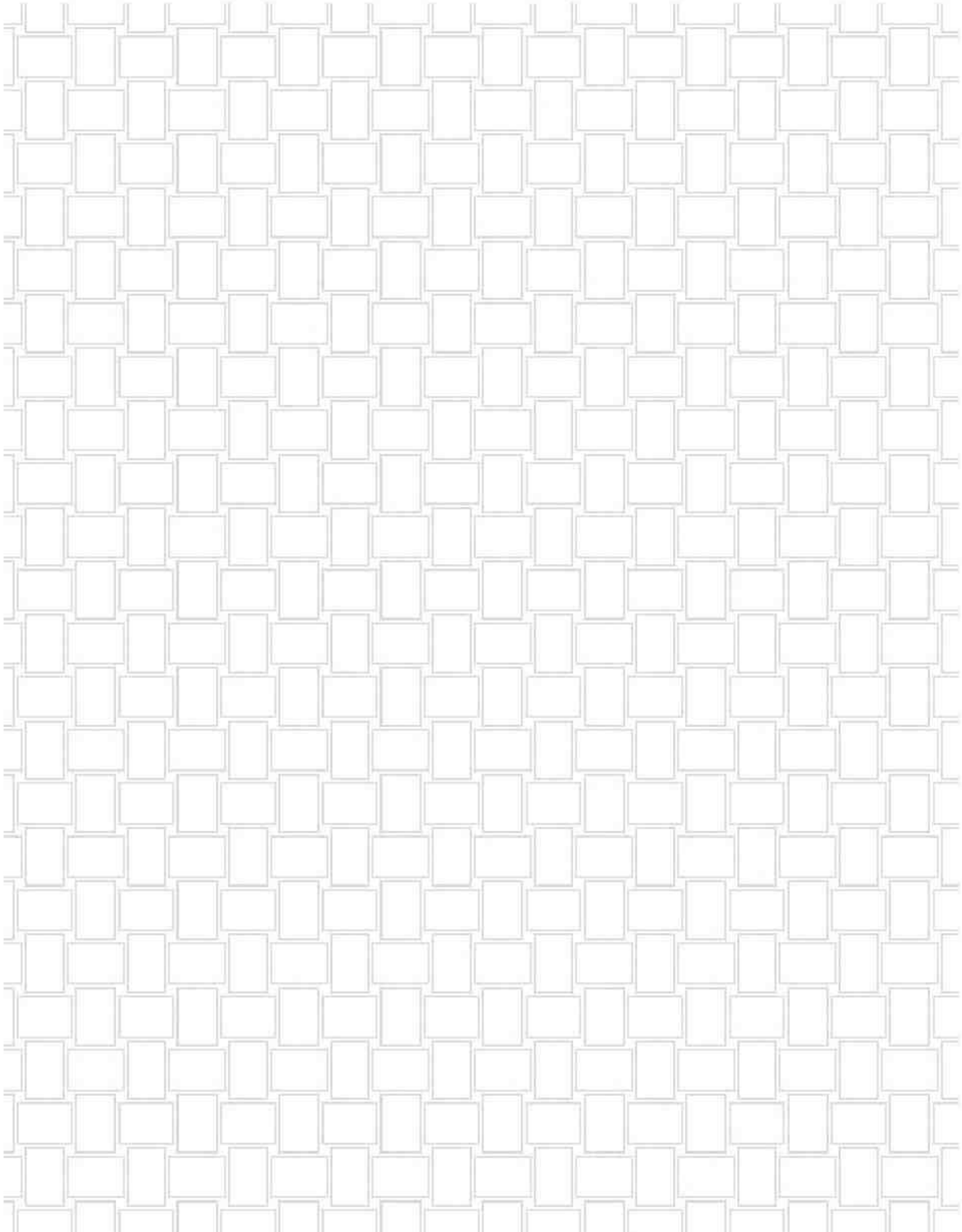
- ۷۱- چگونه سیستم عامل می‌تواند بر کوبیدگی (thrashing) غلبه کند؟  
 (۱) اندازه صفحه افزایش یابد.  
 (۲) درجه چند برنامگی افزایش یابد.  
 (۳) سرعت ورودی - خروجی افزایش یابد.  
 (۴) تخصیص حافظه به پردازنده‌ها با توجه به اندازه پنجره‌کاری آن‌ها تنظیم گردد.

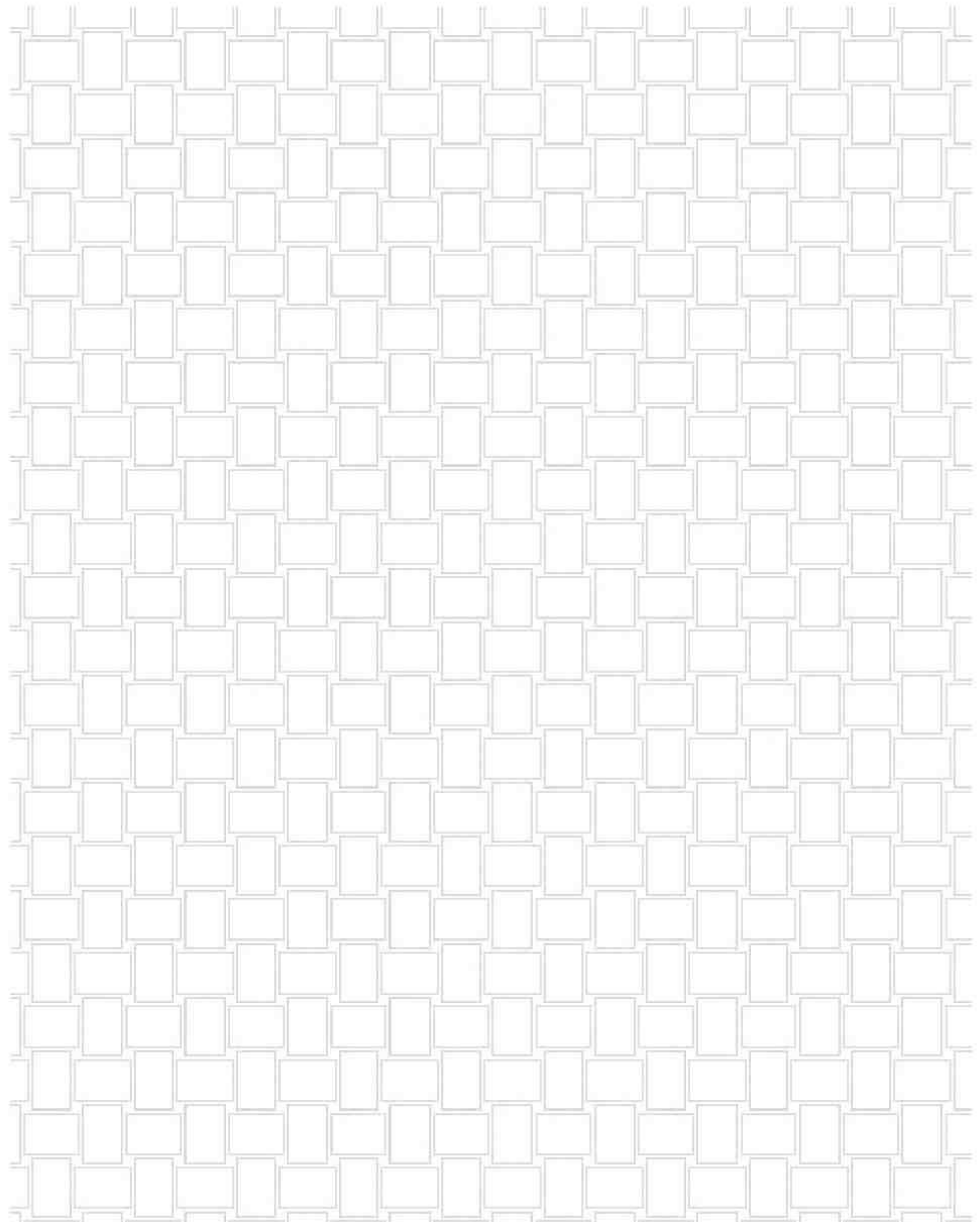
- ۷۲- فرض کنید که دو ریسه (thread) قطعه کدهای زیر را به صورت همروند اجرا نمایند. در این قطعه کدها، ریسه‌ها به متغیرهای مشترک a و b و c دسترسی دارند. مقادیر ممکن برای c پس از اجرای این قطعه کدها کدام است؟

Initialization	Thread 1	Thread 2	
a=4;	if (a<b) then	b=10;	(۱) 4, 7, 6, -3
b=0;	c=b-a;	c=-3;	(۲) 4, 7, 6, 13, -3
c=0;	else		(۳) 4, 1, 6, -3, 14
	c=b+a;		(۴) 4, 7, 6, 13, -3, 14
	endif		

- ۷۳- در مسأله غذا خوردن فیلسوف‌ها، ۵ فیلسوف دور میزی نشسته‌اند و بین هر دو فیلسوف یک چنگال قرار دارد. و هر فیلسوف برای غذا خوردن به دو چنگال نیاز دارد. فرض کنید دو نوع فیلسوف داریم: فیلسوفان چپ دست که ابتدا چنگال سمت چپ خود را بر می‌دارند و فیلسوفان راست دست که ابتدا چنگال سمت راست خود را بر می‌دارند. فرض کنید که در بین ۵ فیلسوف، حداقل یک فیلسوف چپ دست و یک فیلسوف راست دست موجود است. با توجه به توضیحات فوق، کدام عبارت صحیح است؟  
 (۱) اگر دو تا فیلسوف چپ دست یا دو فیلسوف راست دست کنار هم باشند بن بست رخ می‌دهد.  
 (۲) مستقل از نحوه نشستن فیلسوفان چپ دست و راست دست، هیچ‌گاه بن بست رخ نمی‌دهد.  
 (۳) اگر از یک نوع فیلسوف، دو تا و از نوع دیگر سه تا داشته باشیم بن بست رخ می‌دهد.  
 (۴) اگر همگی فیلسوف‌ها با هم همزمان اولین چنگال‌ها را بردارند، بن بست رخ می‌دهد.

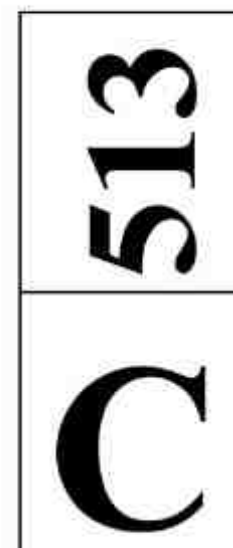
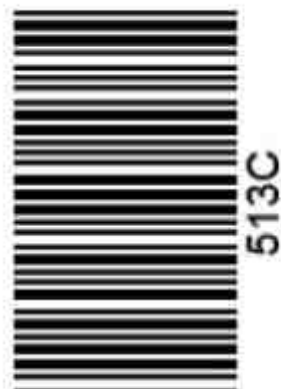










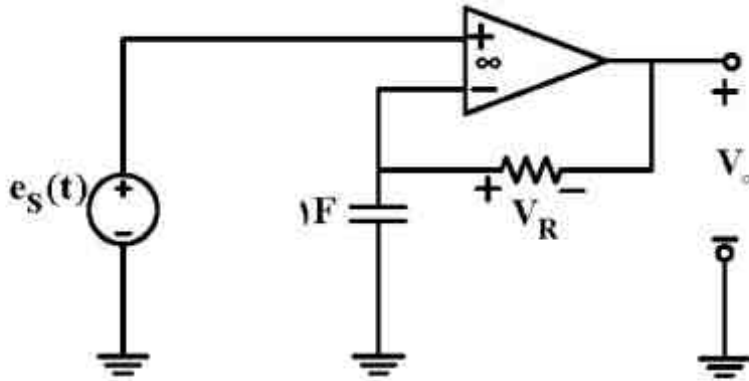


نام  
نام خانوادگی  
محل امضاء

دفترچه شماره ۲ صبح جمعه ۹۳/۱۱/۱۷		اگر دانشگاه اصلاح شود مملکت اصلاح می‌شود. امام خمینی (ره)		
جمهوری اسلامی ایران وزارت علوم، تحقیقات و فناوری سازمان سنجش آموزش کشور				
<b>آزمون ورودی دوره‌های کارشناسی ارشد ناپیوسته داخل - سال ۱۳۹۴</b>				
<b>مجموعه مهندسی کامپیوتر - کد ۱۲۷۷</b>				
مدت پاسخگویی: ۱۰۰ دقیقه		تعداد سؤال: ۴۸		
عنوان مواد امتحانی، تعداد و شماره سؤالات				
ردیف	مواد امتحانی	تعداد سؤال	از شماره	تا شماره
۱	دروس تخصصی معماری کامپیوتر (مدارهای الکتریکی، VLSI، الکترونیک دیجیتال، انتقال داده‌ها)	۱۶	۷۴	۸۹
۲	دروس تخصصی نرم افزار (کامپایلر، زبانهای برنامه سازی، طراحی الگوریتم، پایگاه داده)	۱۶	۹۰	۱۰۵
۳	دروس تخصصی هوش مصنوعی (مدارهای الکتریکی، طراحی الگوریتم‌ها، هوش مصنوعی)	۱۶	۱۰۶	۱۲۱
این آزمون نمره منفی دارد. استفاده از ماشین حساب مجاز نیست. بهمن ماه - سال ۱۳۹۳				
حق چاپ، تکثیر و انشار سؤالات به هر روش (الکترونیکی و ...) پس از برگزاری آزمون، برای تمامی اشخاص حقیقی و حقوقی تنها با مجوز این سازمان مجاز می‌باشد و با متغلفین برابر مقررات رفتار می‌شود.				

دروس تخصصی معماری کامپیوتر (مدارهای الکتریکی، VLSI، الکترونیک دیجیتال، انتقال داده‌ها):

۷۴- در شکل نشان داده شده زیر، تقویت کننده عملیاتی ایده آل فرض می شود. اگر پاسخ سینوسی برای خروجی  $V_o$  برابر با  $2 \cos t$  باشد، پاسخ حالت دایمی ولتاژ دو سر مقاومت،  $V_R$  برابر کدامیک از مقادیر زیر است؟



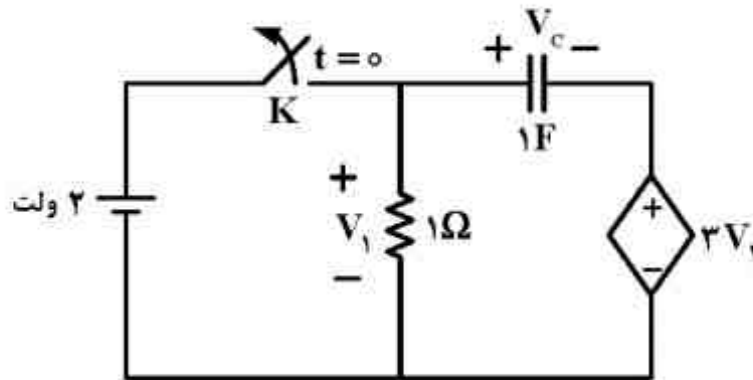
(۱)  $\sqrt{2} \cos(t - \frac{\pi}{4})$

(۲)  $\sqrt{2} \cos(t + \frac{\pi}{4})$

(۳)  $\sqrt{2} \cos(t - \frac{3\pi}{4})$

(۴)  $\sqrt{2} \cos(t + \frac{3\pi}{4})$

۷۵- در مدار نشان داده شده زیر کلید K در  $t = 0$  باز می شود. مقدار  $\frac{dV_c}{dt} |_{t=0}$  برابر کدامیک از مقادیر زیر است؟



است؟

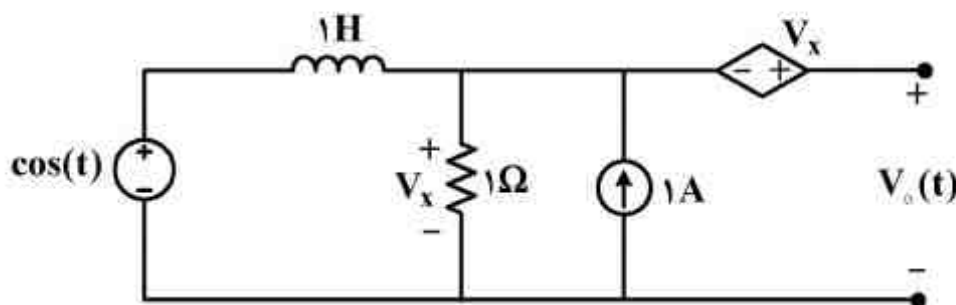
(۱) -۱

(۲) -۲

(۳) +۱

(۴) +۲

۷۶- ولتاژ خروجی مدار زیر در حالت ماندگار کدام است؟



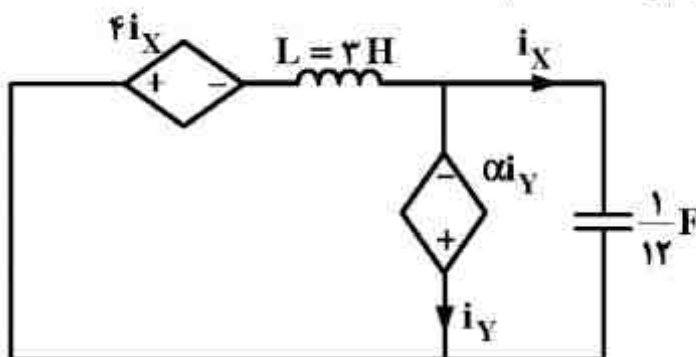
(۱)  $1 + \cos t + \sin t$

(۲)  $\cos t + \sin t$

(۳)  $1 + 2 \cos(t + 45^\circ)$

(۴)  $2 \cos(t + 45^\circ)$

۷۷- در شکل زیر اگر مدار در حالت نوسانی کامل قرار گیرد،  $\alpha$  کدام است؟



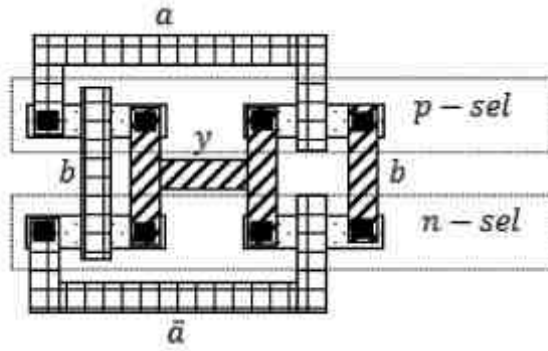
(۱)  $\frac{1}{9}$

(۲)  $\frac{1}{3}$

(۳) ۳

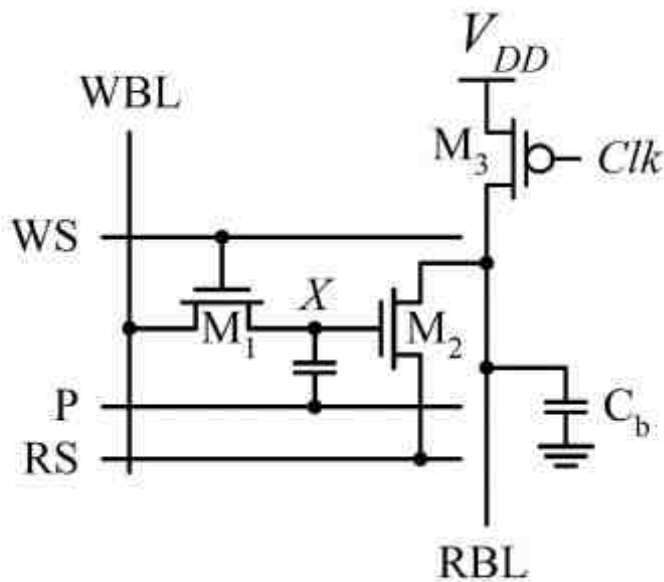
(۴) ۹

۷۸- چینش زیر چه تابعی را پیاده سازی می کند؟ (y خروجی است).



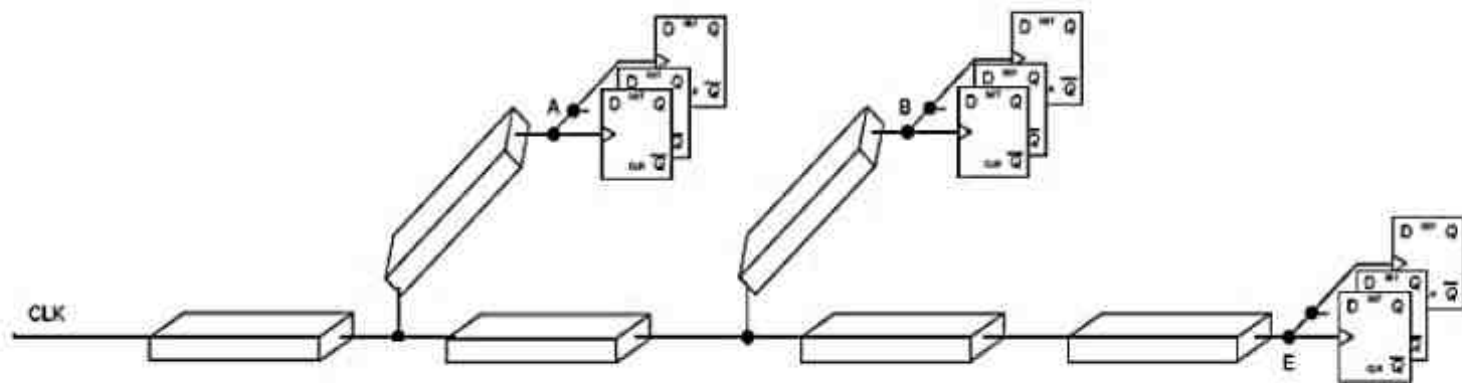
- (۱) NAND
- (۲) NOR
- (۳) XOR
- (۴) XNOR

۷۹- شکل زیر یک سلول DRAM دو ترانزیستوری را نشان می دهد که برای کاربردهای توان پایین مورد استفاده قرار می گیرد منبع تغذیه ۱ ولت می باشد. WBL خط نوشتن و RBL خط خواندن است. گره P به GND وصل شده است. سطوح سیگنال های کنترلی (RS و WS) برای نوشتن در حافظه چقدر باید باشد؟



- (۱)  $RS = V_{DD}, WS = V_{DD}$
- (۲)  $RS = \frac{V_{DD}}{2}, WS = \frac{V_{DD}}{2}$
- (۳)  $RS = GND, WS = V_{DD}$
- (۴)  $WS = \frac{V_{DD}}{2}, RS = V_{DD}$

۸۰- شکل زیر یک شبکه توزیع کلاک را بر روی یک تراشه دیجیتال نشان می دهد. هر قطعه سیم (که با مکعب نمایش داده شده است) دارای مقاومت ۱۰ اهم و خازن ۱۰ فمتوفاراد است. نقاط انتهایی شبکه توزیع کلاک به ثبات های ۳۲ بیتی متصل شده است که بار خازن ۹۰ فمتوفاراد دارند. زمان صعود و نزول کلاک را صفر فرض کنید. بیشینه انحراف کلاک بین هر کدام از بلوک های ثابتی چند پیکو ثانیه خواهد بود؟ (از مدل RC ساده و تاخیر المور استفاده کنید  $\ln 2 = 0.7$ )



۵/۳۲ (۴)

۳/۰۱ (۳)

۲/۳۱ (۲)

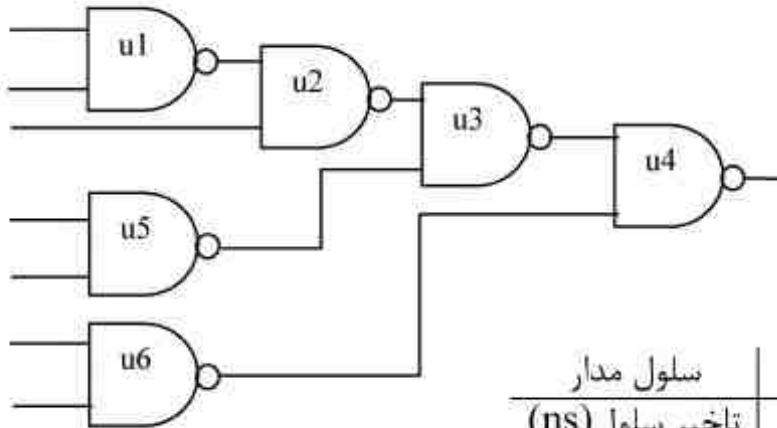
۱/۷۵ (۱)



۸۱- در یک کتابخانه سلول استاندارد، چهار نوع سلول NAND با اندازه‌های مختلف به صورت جدول زیر وجود دارد. اگر بخواهیم مدار نشان داده شده در شکل زیر را با این سلول‌ها به صورتی طراحی کنیم که تأخیر

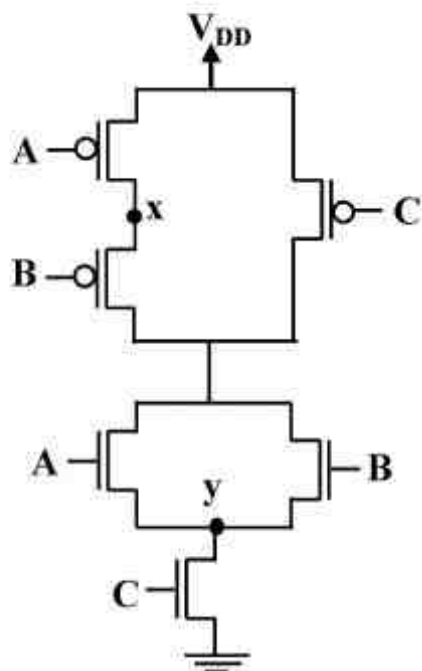
مسیر بحرانی از  $5^{ns}$  بیشتر نباشد و توان مصرفی کل مدار حداقل شود، تأخیر هر سلول مدار چقدر باید باشد؟ (سوال بدون در نظر گرفتن فعالیت سیگنال‌های ورودی حل شود)

نوع سلول	تأخیر
NAND <sub>۱</sub>	$۴^{ns}$
NAND <sub>۲</sub>	$۳^{ns}$
NAND <sub>۳</sub>	$۲^{ns}$
NAND <sub>۴</sub>	$۱^{ns}$



سلول مدار	$u_1$	$u_2$	$u_3$	$u_4$	$u_5$	$u_6$	(۱)
تأخیر سلول (ns)	۱	۱	۱	۱	۳	۳	
سلول مدار	$u_1$	$u_2$	$u_3$	$u_4$	$u_5$	$u_6$	(۲)
تأخیر سلول (ns)	۱	۱	۱	۱	۲	۳	
سلول مدار	$u_1$	$u_2$	$u_3$	$u_4$	$u_5$	$u_6$	(۳)
تأخیر سلول (ns)	۲	۱	۱	۱	۴	۴	
سلول مدار	$u_1$	$u_2$	$u_3$	$u_4$	$u_5$	$u_6$	(۴)
تأخیر سلول (ns)	۲	۱	۱	۱	۳	۴	

۸۲- در مدار سطح ترانزیستور زیر بردارهای ورودی برای یافتن دو خرابی اتصال نقطه x به زمین (x sa 0) و اتصال نقطه y به تغذیه (y sa 1) کدام است؟



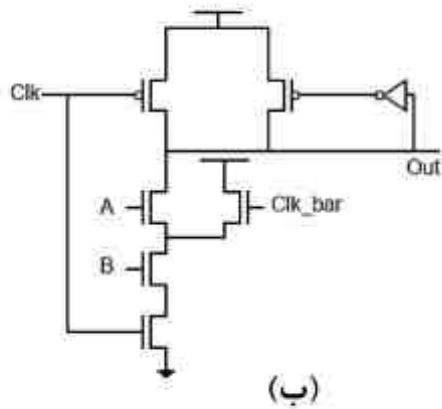
(۱) بردار:  $ABC = ۰۰۰۰$   
بردار:  $ABC = ۰۰۰۱$

(۲) بردار:  $ABC = ۰۰۰۱$   
بردار:  $ABC = ۱۰۰۱$

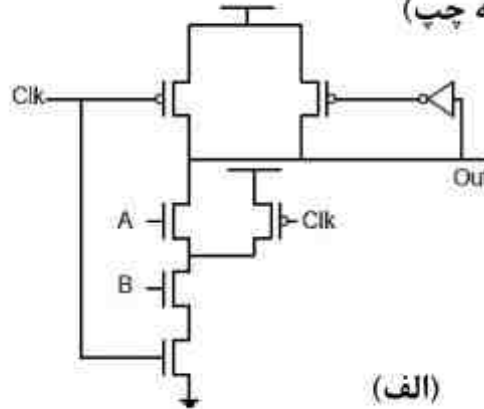
(۳) بردار:  $ABC = ۰۰۱۰$   
بردار:  $ABC = ۰۰۱۱$

(۴) بردار:  $ABC = ۱۰۰۱$   
بردار:  $ABC = ۱۱۰۰$

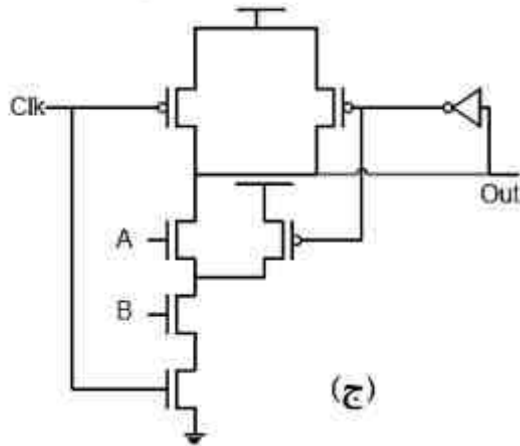
۸۳- ساختارهای ترانزیستوری زیر سه پیاده‌سازی از یک NAND دو ورودی را در خانواده پویا (dynamic) نشان می‌دهند. ترتیب این گیت‌ها از لحاظ سرعت به ترتیب از سریع‌ترین به کندترین ساختار کدام است؟ (ترتیب در گزینه‌ها از راست به چپ)



(ب)



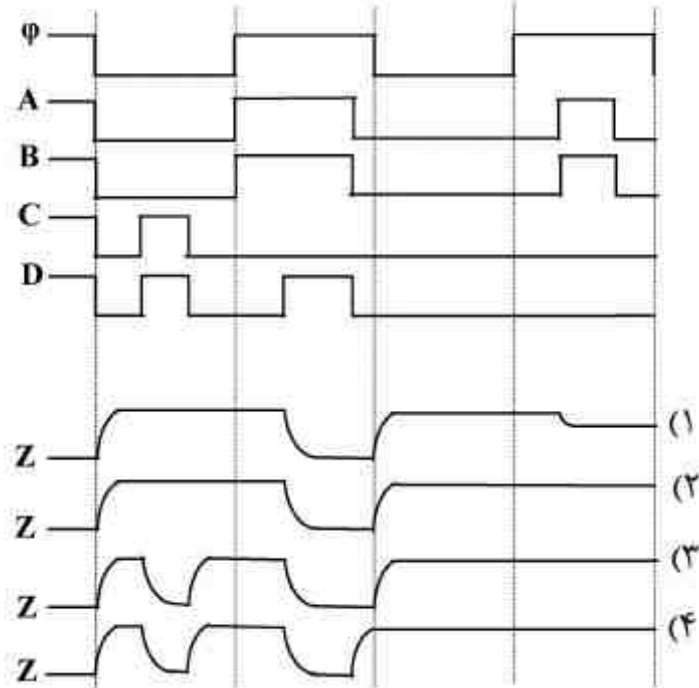
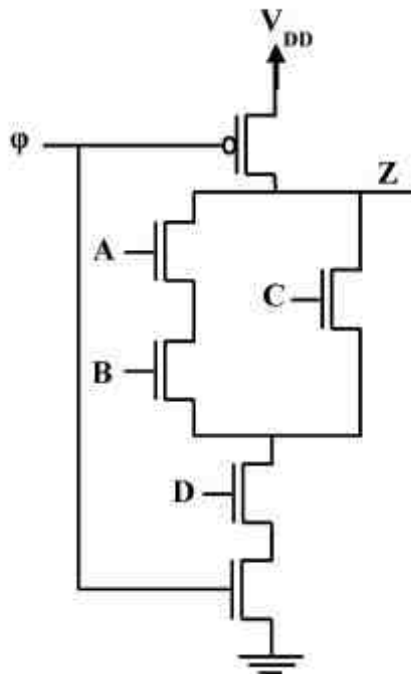
(الف)



(ج)

- ۱) (الف)(ب)(ج)
- ۲) (الف)(ج)(ب)
- ۳) (ب)(الف)(ج)
- ۴) (ج)(الف)(ب)

۸۴- شکل موج ورودی‌های مدار زیر ترسیم شده است. کدام یک از موارد ۱ تا ۴ می‌تواند شکل موج خروجی را نمایش دهد؟



۸۵- در یک ترانزیستور NMOS تخلیه‌ای مقدار  $V_{ds} = 0.4V$  است و در ناحیه خطی کار می‌کند. اگر جریان درین به ازای  $V_{gs} = 1V$  برابر  $4mA$  و این جریان به ازای  $V_{gs} = -1V$  برابر  $2mA$  باشد، مقدار ولتاژ آستانه چقدر است؟

- ۱)  $-0.7$
- ۲)  $-2.4$
- ۳)  $-2.76$
- ۴)  $-3.2$

۸۶- یک فایل یک مگابایتی در مدت یک ثانیه از کانالی با پهنای باند یک مگاهرتز و تلف ۰٫۶ دسی بل انتقال داده

شده است. اگر چگالی توان نویز  $\frac{\text{dBm}}{\text{Hz}}$  ۱۷۴- باشد، توان فرستنده تقریباً چقدر بوده است؟

- (۱) -۴۴dBm  
(۲) -۵۴dBm  
(۳) یک میکرو وات  
(۴) ۴۰۰ میلی وات

۸۷- در جداول زیر تعدادی واژه و نیز تعدادی تعریف (بدون ترتیب صحیح) آورده شده است. کدام مورد به درستی مطابقت واژه‌ها با تعاریف ارائه شده را نشان داده است؟

شماره	تعریف	شماره	واژه
(الف)	تغییر ناخواسته در شکل موج سیگنال که در اثر عبور از مسیری خاص پدید می‌آید	(A)	نویز
(ب)	سیگنال‌های تصادفی که در داخل یا خارج از سیستم تولید شده و بر سیگنال اصلی تاثیر می‌گذارد	(B)	مخونندگی
(ج)	تداخل امواج آسمانی و زمینی که سبب تضعیف یا تقویت سیگنال اصلی می‌شود	(C)	نویز مدولاسیون داخلی
(د)	فرآیند پیاده‌سازی پیام از سیگنال حامل	(D)	امواج آسمانی
(ه)	متبع ایجاد اختلال در سیستم‌های انتقال داده‌ها	(E)	انتشار خطادید
(و)	تاثیر ناخواسته سیگنال خارجی از منابع مختلف بر روی سیگنال اصلی	(F)	دمدولاسیون
(ز)	پدیدار شدن سیگنال‌های دیگر علاوه بر موج اصلی پیام در سیگنال مدوله‌شده	(G)	اشکارساز قدرت
(ک)	امواجی که در فضا منتشر می‌شوند و پس از برخورد با لایه‌های جو مجدداً به زمین منحرف می‌شوند	(H)	مدولاسیون
		(I)	تداخل
		(L)	اعوجاج

- (۱) (C) = (ز)، (F) = (د)، (A) = (ب)، (D) = (ک)، (L) = (ه)، (K) = (ج)، (B) = (الف)  
(۲) (F) = (د)، (B) = (ج)، (E) = (ک)، (A) = (ب)، (K) = (و)، (F) = (د)، (C) = (ز)  
(۳) (A) = (ب)، (L) = (و)، (C) = (ج)، (K) = (الف)، (E) = (ک)، (F) = (ز)، (G) = (د)  
(۴) (L) = (الف)، (K) = (و)، (D) = (ک)، (A) = (ه)، (B) = (ج)، (F) = (د)، (C) = (ز)

۸۸- مدولاسیون‌های MQAM و MFSK را در نظر گرفته و مشخص کنید در صورت افزایش M کدام عبارت در

مورد پهنای باند و متوسط توان ارسالی فرستنده صحیح است؟

- (۱) پهنای باند MFSK و متوسط توان ارسالی در MQAM افزایش یافته و متوسط توان ارسالی MFSK و پهنای باند MQAM تغییر محسوسی ندارند.  
(۲) متوسط توان ارسالی در هر دو روش افزایش می‌یابد و پهنای باندها تغییر محسوسی نمی‌کنند.  
(۳) پهنای باند و متوسط توان ارسالی هر دو روش افزایش می‌یابد.  
(۴) پهنای باند MFSK افزایش می‌یابد و بقیه موارد بدون تغییر می‌مانند.



۸۹- در یک سیستم انتقال داده آسنکرون از یک بیت شروع و دو بیت پایان به ازای هر کاراکتر ۸ بیتی و یک کاراکتر شروع و یک کاراکتر پایان به ازای هر فریم استفاده می‌شود. حداکثر کارایی در این سیستم چقدر است؟

$$\frac{1}{3} \quad (1)$$

$$\frac{8}{11} \quad (2)$$

$$\frac{8}{33} \quad (3)$$

(۴) بستگی به طول فریم دارد.

دروس تخصصی نرم افزار (کامپایلر، زبانهای برنامه سازی، طراحی الگوریتم، پایگاه داده):

۹۰- موقع ایجاد جدول SLR(1) در مورد گرامر  $S \rightarrow aSb \mid a$  یکی از مجموعه itemهای LR(0) به صورت زیر است:

$$\{S \rightarrow a.Sb, S \rightarrow a., S \rightarrow .aSb, S \rightarrow .a\}$$

در مورد قوانین استخراج شده از مجموعه فوق کدام عبارت صحیح است؟

(۱) یک کاهش و دو شیفت و یک goto تولید می‌کند.

(۲) یک کاهش و دو شیفت و دو goto تولید می‌کند.

(۳) دو کاهش و یک شیفت و یک goto تولید می‌کند.

(۴) به هنگام ورود  $a$ ، conflict ایجاد می‌کند.

۹۱- جدول تجزیه‌ی تقدم ساده (simple precedence) برای گرامر زیر کدام است؟ (حروف بزرگ نمایانگر

ناپایانه‌ها، حروف کوچک و + نمایانگر پایانه‌ها هستند.  $X$  نماد شروع و  $X' \rightarrow SXS$  قاعده‌ی افزوده است.)

$$X' \rightarrow SXS$$

$$X \rightarrow Y \mid X+a$$

$$Y \rightarrow b \mid b+Y$$

(۱) فاقد هرگونه تداخل است.

(۲) دارای تداخل شیفت - کاهش (shift - reduce) است.

(۳) دارای تداخل کاهش - کاهش (reduce - reduce) است.

(۴) هم دارای تداخل شیفت - کاهش و هم تداخل کاهش - کاهش است.

۹۲- کدام گزاره در مورد گرامرهای زیر صحیح است؟ (حروف بزرگ ناپایانه و حروف کوچک پایانه هستند).

$$G_1 : S \rightarrow bSa \mid aSb \mid ba$$

$$G_2 : S \rightarrow XYa$$

$$X \rightarrow a \mid Yb$$

$$Y \rightarrow c \mid \epsilon$$

(۱)  $G_1$  و  $G_2$  هیچ‌کدام گرامر LL(1) نیستند.

(۲)  $G_1$  و  $G_2$  هر دو گرامرهای LL(1) هستند.

(۳)  $G_1$  یک گرامر LL(1) است، اما  $G_2$  یک گرامر LL(1) نیست.

(۴)  $G_1$  یک گرامر LL(1) نیست، اما  $G_2$  یک گرامر LL(1) است.

۹۳- در یک زبان تابعی از خانواده لیسپ و با امکان تعریف متغیر، لیست b پس از اجرای دستورات زیر به ترتیب، شامل چه عناصری خواهد بود؟

```
(def var a '(۱ ۲ ۳))
```

```
(def var b (cons a (cdr a)))
```

```
(rplacd a '(۵))
```

(۱) ((۱ ۵) ۵)

(۲) ((۱ ۵) ۲ ۳)

(۳) ((۱ ۲ ۳) ۵)

(۴) ((۱ ۲ ۳) ۲ ۳)

۹۴- در قطعه کد زیر که با زبان C نوشته شده است، خروجی برنامه در حوزه دامنه دید پویا (dynamic scope) و حوزه دامنه دید ایستا (static scope) چیست؟

```
void fun1 (void);
void fun 2 (void);
int a=1, b=2, c=3;
int main(){
    c=4;
    fun1();
    return 0;}
void fun1 (){
    int a=2, b=3;
    fun2();}
void fun2 (){
    printf("%d%d%d",a,b,c);
}
```

(۱) ۱ ۲ ۳ در حوزه پویا، ۲ ۳ ۴ در حوزه ایستا

(۲) ۲ ۳ ۳ در حوزه ایستا، ۱ ۲ ۳ در حوزه پویا

(۳) ۲ ۳ ۴ در حوزه پویا، ۱ ۲ ۳ در حوزه ایستا

(۴) ۱ ۲ ۴ در حوزه پویا، ۱ ۲ ۴ در حوزه ایستا

۹۵- کدام یک از موارد زیر می‌تواند نوع (type) تابع ML زیر باشد؟

```
fun f(g, nil) = nil | f(g, x :: xs) =
```

```
(fn a => g(a, x)) :: f(g, xs);
```

(۱) (int \* bool → real) \* bool list → (int → real) list

(۲) (bool \* int → int) \* real list → (bool → int) list

(۳) (int \* int → real) \* real list → (real → bool) list

(۴) (bool \* real → int) \* int list → (int → int) list

۹۶- در زبان برنامه‌سازی C استفاده اصلی و دلیل در نظر گرفته شدن دستورات setjmp و longjmp کدام است؟

(۱) ایجاد امکان تغییر منطق روند کنترل اجرای برنامه به طور ناگهانی (شبیه goto به داخل کد سایر زیربرنامه‌ها)

(۲) خودداری از دستورات if....else یا Switch...case بسیار تو در تو

(۳) ایجاد امکان نوشتن کدهای پاسخ‌گویی به وقفه‌ها (Interrupt Handlers)

(۴) ایجاد امکان نوشتن کدهای ساماندهی استثنائات (Exception Handlers)

۹۷- فرض کنید  $C = \{1, \dots, 100\}$ . مجموعه‌ی  $A_1$  تا  $A_n$  را در نظر بگیرید ( $n \leq 100$ ) که در ابتدا  $A_i = \{i\}$ . رابطه‌ی  $R$  با  $150$  عضو بر روی  $C$  نیز داده شده است. هر بار یکی از عناصر  $(a, b) \in R$  را به دل‌خواه انتخاب می‌کنیم. فرض کنید  $a \in A_i$  و  $b \in A_j$ . اگر  $i \neq j$  در آن صورت  $A_j$  را در  $A_i$  ادغام می‌کنیم، یعنی قرار می‌دهیم  $A_i \leftarrow A_i \cup A_j$ . حداکثر تعداد عمل ادغام چند تا است؟

- (۱) ۱۴۹  
(۲) ۱۵۰  
(۳) ۱۰۰  
(۴) ۹۹

۹۸- کدام یک از دنباله‌های زیر (به ازای  $n$ های بزرگ) بیش‌ترین ارتفاع ممکن را برای درخت هافمن ایجاد می‌کند؟ اعضای دنباله‌ها نشان‌دهنده‌ی تعداد تکرار کاراکترها در متن ورودی است نه خود کاراکترها.

- (۱) دنباله‌ی از  $n$  عدد برابر  
(۲) دنباله‌ی از  $n$  عدد فیبوناچی پشت سر هم  
(۳) دنباله‌ی  $\langle 1, 2, 3, 4, 5, \dots, n \rangle$   
(۴) دنباله‌ی  $\langle 1^2, 2^2, 3^2, 4^2, 5^2, \dots, n^2 \rangle$

۹۹- چه تعداد از مسئله‌های زیر بر روی یک گراف بدون جهت و بی‌وزن  $G = (V, E)$  را می‌توان با استفاده از الگوریتم عمق-اول (DFS) در زمان خطی  $\mathcal{O}(|V| + |E|)$  حل کرد؟

- بررسی آن که  $G$  دوبخشی است.
- بررسی این که  $G$  حاوی یک دور ساده است.
- یافتن تعداد اجزای هم‌بند  $G$
- با دریافت دو راس  $u$  و  $v$  یافتن مسیری بین  $u$  و  $v$  با کم‌ترین تعداد یال

- (۱) ۱  
(۲) ۲  
(۳) ۳  
(۴) ۴

۱۰۰- الگوریتم خرد کردن پول با روش حریصانه‌ی «استفاده از پرازش‌ترین سکه، تا حد امکان» روی کدام یک از مجموعه سکه‌های زیر لزوماً جواب بهینه (با کم‌ترین تعداد سکه) را تولید نمی‌کند؟ فرض کنید از سکه‌های هر مجموعه به تعداد نامتناهی داریم.

- (۱)  $\{1, 2, 5\}$   
(۲)  $\{1, 4, 7\}$   
(۳)  $\{1, 5, 10\}$   
(۴)  $\{1, 7, 10\}$



۱۰۱- گراف جهت‌دار  $G = (V, E)$  با مجموعه‌ی رأس‌های  $V = \{1, 2, \dots, n\}$  داده شده است. وزن هر یال  $(i, j)$  را با  $w(i, j)$  نشان می‌دهیم. اگر یال  $(i, j)$  وجود نداشته‌ی قرار می‌دهیم  $w(i, j) = +\infty$ . همچنین به ازای هر رأس  $i$  قرار می‌دهیم  $w(i, i) = 0$ . می‌خواهیم با استفاده از روش برنامه‌ریزی پویا کوتاه‌ترین مسیر بین هر زوج رأس این گراف را به دست آوریم. به ازای کدام یک از رابطه‌های بازگشتی زیر مقدار  $d[i, j, n]$  برابر کوتاه‌ترین مسیر بین رأس‌های  $i$  و  $j$  خواهد بود؟

$$d[i, j, k] = \begin{cases} w(i, j) & \text{اگر } k = 1 \\ \min_{1 \leq r \leq n} \{d[i, r, k-1] + w(r, j)\} & \text{اگر } k > 1 \end{cases} \quad (1)$$

$$d[i, j, k] = \begin{cases} w(i, j) & \text{اگر } k = 0 \\ \min \{d[i, j, k-1], d[i, k, k-1] + d[k, j, k-1]\} & \text{اگر } k > 0 \end{cases} \quad (2)$$

$$d[i, j, k] = \begin{cases} w(i, j) & \text{اگر } k = 1 \\ \min_{1 \leq r \leq n} \{d[i, r, \lceil k/2 \rceil] + d[r, j, \lfloor k/2 \rfloor]\} & \text{اگر } k > 1 \end{cases} \quad (3)$$

(۴) هر سه مورد بالا

۱۰۲- دو جدول customers (مشتریان) و orders (سفارش‌ها) که با دستورهای زیر ایجاد شده‌اند را در نظر بگیرید:

```
CREATE TABLE customers (cid CHAR(4),
                           cname CHAR(20),
                           PRIMARY KEY (cid))
CREATE TABLE orders (oid CHAR(6),
                      odate CHAR(6),
                      custid CHAR(4),
                      PRIMARY KEY (oid),
                      FOREIGN KEY (custid) REFERENCES customers(cid) ON DELETE CASCADE)
```

در صورتی که تعداد رکوردهای مشتریان برابر ۱۰ و تعداد رکوردهای سفارش‌ها برای ۱۵ باشد، پس از اجرای دستور زیر:

```
DELETE
FROM customers C
WHERE C.cid = '2000'
```

مجموع تعداد رکوردهای دو جدول customers و orders حداکثر و حداقل چه تعداد خواهد بود؟

(۱) حداکثر: ۲۴ حداقل: ۹

(۲) حداکثر: ۲۵ حداقل: ۹

(۳) حداکثر: ۲۴ حداقل: ۱۸

(۴) حداکثر: ۲۵ حداقل: ۱۸

۱۰۳ - سه رابطه students (دانشجویان)، courses (درس‌ها) و take (اخذ درس) را در نظر بگیرید:

students (sid, sname)

courses (cid, cname, dept)

take (sid, cid, grade)

می‌خواهیم شماره دانشجویانی را پیدا کنیم که همه دروس ارائه شده در دانشکده 'CS' را اخذ کرده‌اند.

کدام مورد دستور جبر رابطه‌ای صحیح برای این درخواست است؟

$$\pi_{sid} [take \div \sigma_{dept='CS'}(courses)] \quad (1)$$

$$\pi_{sid} [take \div \pi_{cid} (\sigma_{dept='CS'}(courses))] \quad (2)$$

$$\pi_{sid} \left[ \left( \pi_{sid}(students) \times \pi_{cid} (\sigma_{dept='CS'}(courses)) \right) - \pi_{sid,cid}(take) \right] \quad (3)$$

$$\pi_{sid}(students) - \pi_{sid} \left[ \left( \pi_{sid}(students) \times \pi_{cid} (\sigma_{dept='CS'}(courses)) \right) - \pi_{sid,cid}(take) \right] \quad (4)$$

۱۰۴ - رابطه R(A, B, C, D, E) و مجموعه وابستگی‌های تابعی F را در نظر بگیرید.

F = {BC → A, A → D, D → C, D → E}

کدام یک از وابستگی‌های تابعی زیر BCNF را نقض نمی‌کند؟

BC → A (1)

D → C (2)

A → D (3)

D → E (4)

۱۰۵ - سه رابطه suppliers (تهیه‌کنندگان)، parts (قطعات) و catalog (کاتالوگ) را در نظر بگیرید:

suppliers (sid, sname)

parts (pid, pname)

catalog (sid, pid)

sid در catalog کلید خارجی وارجاع دهنده به suppliers و pid در catalog کلید خارجی وارجاع

دهنده به parts می‌باشد. وجود رکورد (s1, p1) در جدول catalog نشان دهنده این است که تهیه‌کننده

s1 قطعه p1 را تولید می‌کند.

اگر بخواهیم دستور SQL زیر مشخصات قطعاتی را بدست آورد که توسط بعضی از تهیه‌کنندگان تولید

نمی‌شود، در دو جای خالی (A) و (B) چه عملگرهایی باید قرار گیرد؟

SELECT \*

FROM parts P

WHERE -----(A)----- (SELECT S.sid

FROM suppliers S

WHERE -----(B)----- (SELECT \*

FROM catalog C

WHERE S.sid = C.sid AND P.pid = C.pid))

EXISTS (B) NOT EXISTS (A) (1)

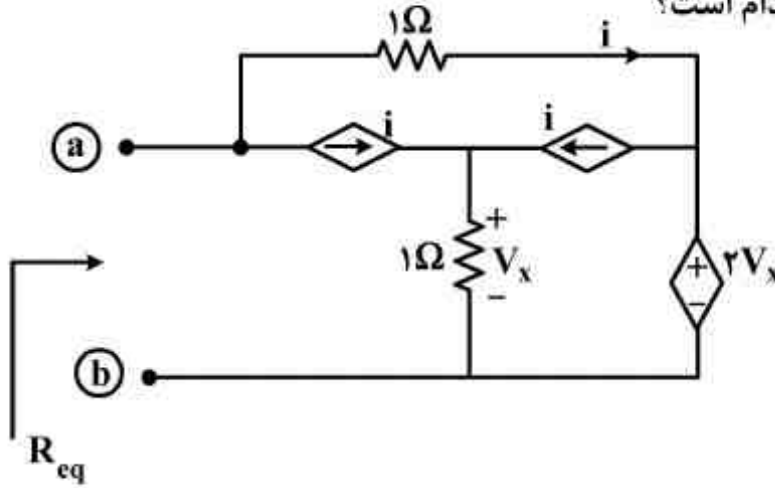
EXISTS (B) EXISTS (A) (2)

NOT EXISTS (B) EXISTS (A) (3)

NOT EXISTS (B) NOT EXISTS (A) (4)

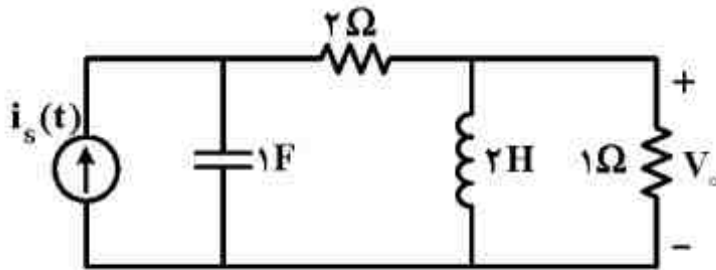
دروس تخصصی هوش مصنوعی (مدارهای الکتریکی، طراحی الگوریتم‌ها، هوش مصنوعی):

۱۰۶- در مدار شکل زیر  $R_{eq}$  از سری‌های a و b، کدام است؟



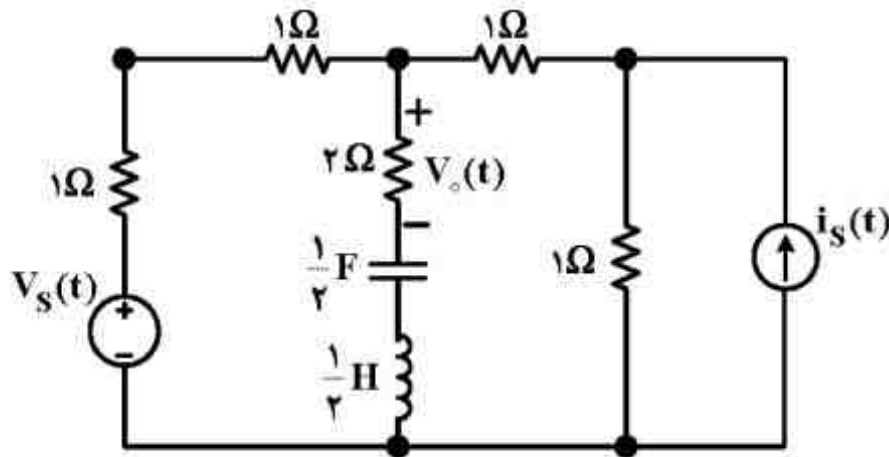
- (۱)  $\frac{1}{2}$
- (۲)  $\frac{2}{3}$
- (۳)  $\frac{3}{2}$
- (۴)  $\frac{5}{2}$

۱۰۷- ضریب کیفیت مدار زیر کدام است؟



- (۱)  $\frac{\sqrt{6}}{4}$
- (۲)  $\frac{\sqrt{2}}{3}$
- (۳)  $\frac{2}{3}$
- (۴)  $\frac{1}{4}$

۱۰۸- در مدار شکل زیر، سلف و خازن در  $t = 0^-$  بدون انرژی اولیه می‌باشند. مقدار  $V_0(t)$  در  $t = 0^+$  بر حسب



ولت (v) کدام است؟

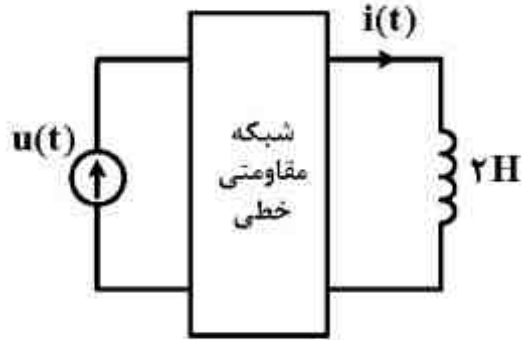
- (۱) ۰
- (۲) ۲
- (۳) ۳
- (۴) ۴

ولت  $V_S(t) = 4 \sin 2t$  ,  $t \geq 0$

$i_S(t) = 3 \text{ A}$  ,  $t \geq 0$



۱۰۹- در شکل زیر جریان اولیه‌ی سلف صفر بوده و  $i(t)$  برابر  $i(t) = 5(1 - e^{-2t})u(t)$  می‌باشد. اگر به جای سلف، خازن خالی  $2/5 F$  قرار داده شود،  $i(t)$  کدام است؟



(۱)  $20(1 - e^{-2t})u(t)$

(۲)  $20(1 - e^{-10t})u(t)$

(۳)  $5e^{-10t}u(t)$

(۴)  $5e^{-2t}u(t)$

۱۱۰- فرض کنید  $0 < \alpha < 0.5$  یک عدد ثابت است. در ضمن، فرض کنید ورودی یک آرایه‌ی  $n$  عضوی باشد. الگوریتم Randomized QuickSort با احتمال یکسان یکی از عناصر آرایه را به‌عنوان محور انتخاب کرده و بر اساس آن محور عمل «بخش‌بندی» را انجام می‌دهد. احتمال این‌که با این کار اندازه‌ی بخش کوچک‌تر بیش‌تر از  $\alpha n$  باشد، چه‌قدر است؟

- (۱)  $1 - 2\alpha$  (۲)  $1 - \alpha$   
(۳)  $\alpha$  (۴)  $2 - 2\alpha$

۱۱۱- ارتفاع درخت هافمن اگر ورودی ۱۰ نشانه با بسامدهای ۱ تا ۱۰ باشد، چه‌قدر است؟

- (۱) ۳ (۲) ۴  
(۳) ۵ (۴) ۶

۱۱۲- چه تعداد از گزاره‌های زیر در مورد درخت فراگیر کمینه (MST) یک گراف ساده، بدون جهت، وزن‌دار و هم‌بند  $G$  درست است؟ وزن یال‌ها لزوماً متفاوت نیست.

• اگر وزن سبک‌ترین یال بین هر برش در گراف یکتا باشد، MST هم یکتا خواهد بود.

• اگر وزن همه‌ی یال‌ها نابرابر باشد، MST یکتا است.

• اگر وزن یال  $e = (u, v)$  برابر باشد با بیشینه‌ی سبک‌ترین یال در همه‌ی مسیرهای بین  $u$  و  $v$  در آن صورت  $e$  در MST خواهد بود.

- (۱) ۰ (۲) ۱  
(۳) ۲ (۴) ۳

۱۱۳- گراف جهت‌دار زیر با ۱۰۰ رأس را در نظر بگیرید:

$$v_1 \rightarrow v_2 \rightarrow \dots \rightarrow v_{100}$$

فرض کنید وزن همه‌ی یال‌ها برابر ۱ است. می‌خواهیم با استفاده از الگوریتم بلمن-فورد طول همه‌ی کوتاه‌ترین مسیرها را از رأس  $v_1$  به بقیه‌ی رأس‌ها بیابیم. الگوریتم در هر «مرحله» همه‌ی یال‌ها را با ترتیب دل‌خواهی مورد بررسی قرار می‌دهد. اگر در یک مرحله از این کار کوتاه‌ترین فاصله‌ی  $v_1$  تا همه‌ی رأس‌ها نسبت به مرحله‌ی قبل تغییر نکرده باشد، الگوریتم متوقف می‌شود. تعداد مراحل این الگوریتم به ترتیب بررسی یال‌ها وابسته است. کمینه و بیشینه‌ی تعداد مرحله‌ها در این مسئله چند تا است؟

- (۱) ۱۰۰ و ۱۰۰۰۰ (۲) ۲ و ۱۰۰  
(۳) ۱۰۰ و ۱۰۰ (۴) ۲ و ۹۹

۱۱۴- می‌خواهیم یک چوب به طول  $r$  (عدد صحیح) را به اندازه‌های صحیح برش دهیم و بفروشیم تا بیش‌ترین سود را به دست آوریم. می‌دانیم که  $p_i$  قیمت فروش یک قطعه چوب به‌اندازه‌ی  $1 \leq i \leq r$  است. کدام‌یک از رابطه‌های بازگشتی زیر برای  $C_r$  (سود بیشینه حاصل از تکه‌تکه کردن و فروش قطعات یک تکه چوب به اندازه‌ی  $r$ ) درست است؟ فرض کنید  $C_0 = 0$ .

$$C_r = \max_{1 \leq i \leq r} \{p_i + C_{r-i}\} \quad (۱)$$

$$C_r = \max_{1 \leq i < r} \{C_i + C_{r-i}\} \quad (۲)$$

$$C_r = \max_{1 \leq i < r} \{p_i + C_{r-i}\} \quad (۳)$$

$$C_r = \max_{1 \leq i \leq r} \{C_i + C_{r-i}\} \quad (۴)$$

۱۱۵- هرم فیوناچی داده‌ساختاری است که اعمال Extract-Min و Decrease-Key را بر روی یک مجموعه‌ی  $n$  عضوی به ترتیب در زمان‌های  $O(\lg n)$  و  $O(1)$  انجام می‌دهد. اگر از این داده‌ساختار برای یافتن کوتاه‌ترین مسیر بین دو رأس مشخص در گراف  $G = (V, E)$  با استفاده از الگوریتم Dijkstra استفاده کنیم، هزینه‌ی کل کار چه‌قدر خواهد بود؟

$$O((V + E) \lg V) \quad (۲)$$

$$O(E \lg V + V) \quad (۱)$$

$$O(V \lg V + E) \quad (۴)$$

$$O(V \lg V + E \lg E) \quad (۳)$$

۱۱۶- می‌خواهیم مساله ارضا پذیری (Satisfiability) زیر را با استفاده از الگوریتم DPLL حل کنیم. اگر انتساب مقدار "صفر" به متغیرها، بر انتساب مقدار "یک" به آنها، اولویت داشته باشد، از کدامیک از دو تکنیک Unit Clause (UC) و Pure Literal (PL)، در حل این مساله خاص استفاده خواهد شد؟  
{ $\neg A \vee B \vee C$ }, { $A \vee \neg B \vee C$ }, { $A \vee B \vee \neg C$ }, { $A \vee B \vee C$ }

(۱) فقط از UC استفاده می‌شود.

(۲) فقط از PL استفاده می‌شود.

(۳) هم از UC و هم از PL استفاده می‌شود.

(۴) از UC و یا PL استفاده نمی‌شود.

۱۱۷- اگر در حین اجرای الگوریتم Arc-Consistency (AC3) روی یک مساله‌ی ارضای محدودیت (Constraint Satisfaction)، دامنه‌ی یک متغیر خالی شود، قدم بعدی چیست؟

(۱) متوقف می‌شویم.

(۲) عقب‌گرد (Backtrack) می‌کنیم.

(۳) از یک وضعیت آغازین متفاوت شروع می‌کنیم.

(۴) به این بستگی دارد که در چه مرحله‌ای باشیم.



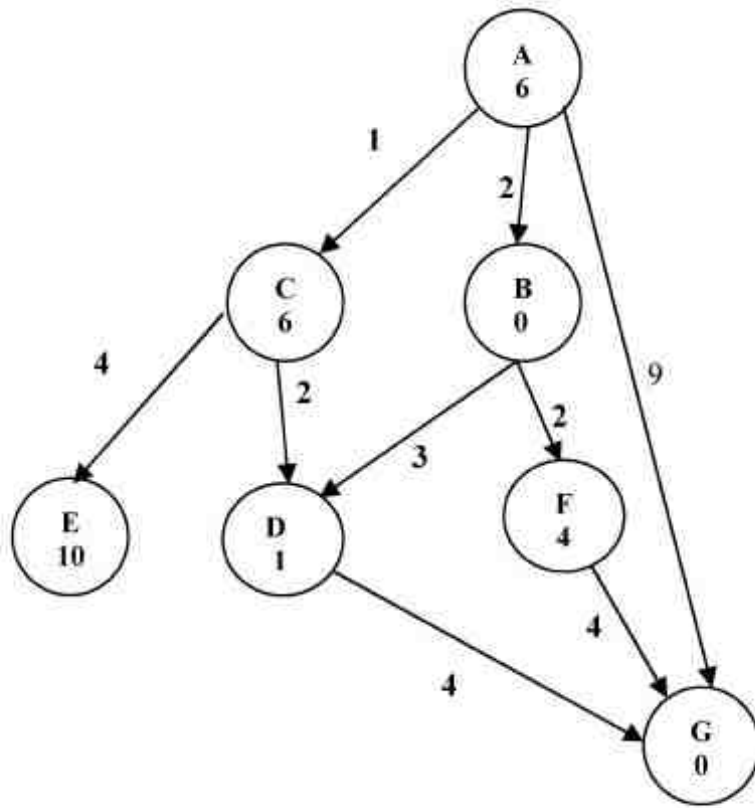
۱۱۸- در گراف زیر، گره A وضعیت شروع و گره G وضعیت هدف است. اعداد کنار هر لبه (Link)، هزینه عبور از آن لبه است. مقدار تابع اکتشافی h هر گره، درون آن نوشته شده است. اگر مقدار آستانه را برابر با عدد ۷ در نظر بگیریم، کدام یک از گزینه های زیر، از چپ به راست، ترتیب ملاقات (Visit) گره های این گراف توسط روش IDA\* را نشان می دهد. فرض کنید فرزندان هر گره به ترتیب حروف الفبا تولید می شود و در شرایط مساوی، به گره ای که زودتر تولید شده، اولویت داده می شود.

(۱) A, B, D, G

(۲) A, C, D, G

(۳) A, B, D, C, D, G

(۴) A, C, D, B, F, G



۱۱۹- کدامیک از گزینه های زیر در مورد تابع اکتشافی h سوال ۱۱۸ از نظر دو ویژگی قابل قبول بودن (Admissibility) و سازگاری (Consistency) صحیح است؟

(۱) فقط سازگار است.

(۲) فقط قابل قبول است.

(۳) هم قابل قبول است و هم سازگار.

(۴) نه قابل قبول است و نه سازگار.

۱۲۰- جمله زیر را در نظر بگیرید. اگر  $likes(x, t)$  به معنی این باشد که شخص "t" غذای "x" را دوست دارد و  $food(x)$  به معنی این باشد که "x" یک نوع غذا است، کدامیک از گزینه های داده شده، فرم CNF جمله زیر است؟ x و t متغیر هستند و f یک تابع اسکولم (Skolem) است.

"هیچ نوع غذایی را همه ی اشخاص دوست ندارند."

(۱)  $food(x) \wedge \neg likes(x, f())$

(۲)  $\neg food(x) \vee \neg likes(x, f())$

(۳)  $food(x) \wedge \neg likes(x, f(x))$

(۴)  $\neg food(x) \vee \neg likes(x, f(x))$

۱۲۱- می خواهیم با استفاده از روش رزولوشن (Resolution) و با داشتن کلازهای (clause) ۱ الی ۵، ثابت کنیم کلاز ۶ نیز درست است. کدامیک از این کلازها بیش از یک مرتبه مورد استفاده قرار خواهد گرفت؟  $t$  الی  $z$  متغیر،  $A$  الی  $C$ ، مقدار ثابت،  $f$  یک تابع، و  $D$  و  $E$ ، مسند (Predicate) هستند.

- ۱)  $\neg E(t, u) \vee E(u, t)$
- ۲)  $\neg D(v, w) \vee E(f(v), w)$
- ۳)  $\neg E(x, y) \vee \neg E(y, z) \vee E(x, z)$
- ۴)  $D(A, C)$
- ۵)  $\neg E(C, B)$
- ۶)  $\neg D(A, B)$

۱ (۱)

۲ (۲)

۳ (۳)

۴ (۴)

