



کد کنترل

333

E



صبح جمعه
۹۷/۲/۷

«اگر دانشگاه اصلاح شود مملکت اصلاح می‌شود.»
امام خمینی (ره)

جمهوری اسلامی ایران
وزارت علوم، تحقیقات و فناوری
سازمان سنجش آموزش کشور

آزمون ورودی دوره‌های کارشناسی ارشد ناپیوسته داخل - سال ۱۳۹۷

مهندسی کامپیوتر - کد (۱۲۷۷)

مدت پاسخگویی: ۲۵۵ دقیقه

تعداد سؤال: ۱۴۰

عنوان مواد امتحانی، تعداد و شماره سؤالات

ردیف	عنوان مواد امتحانی	تعداد سؤال	از شماره	تا شماره
۱	زبان عمومی و تخصصی (انگلیسی)	۳۰	۱	۳۰
۲	ریاضیات (ریاضی عمومی (۲و۱)، معادلات دیفرانسیل، آمار و احتمال مهندسی، ریاضیات گسسته)	۲۰	۳۱	۵۰
۳	درس تخصصی مشترک (ساختمان داده‌ها و طراحی الگوریتم‌ها، نظریه زبان‌ها و ماشین‌ها، مدارهای منطقی، معماری کامپیوتر، سیستم عامل و شبکه‌های کامپیوتری)	۳۰	۵۱	۸۰
۴	درس تخصصی معماری سیستم‌های کامپیوتری (مدارهای الکتریکی، الکترونیک دیجیتال و VLSI، سیگنال‌ها و سیستم‌ها)	۲۰	۸۱	۱۰۰
۵	درس تخصصی نرم‌افزار، شبکه‌های کامپیوتری، رایانش امن (کامپایلر، پایگاه داده‌ها، هوش مصنوعی)	۲۰	۱۰۱	۱۲۰
۶	درس تخصصی هوش مصنوعی و رایانیکز (مدارهای الکتریکی، هوش مصنوعی، سیگنال‌ها و سیستم‌ها)	۲۰	۱۲۱	۱۴۰

استفاده از ماشین حساب مجاز نیست.

این آزمون نمره منفی دارد.

حق چاپ، تکثیر و انتشار سؤالات به هر روش (الکترونیکی و...) پس از برگزاری آزمون، برای تمامی اشخاص حقیقی و حقوقی تنها با مجوز این سازمان مجاز می‌باشد و با متخلفین برابر مقررات رفتار می‌شود.

۱۳۹۷

* داوطلب گرامی، عدم درج مشخصات و امضا در مندرجات جدول ذیل، به منزله عدم حضور شما در جلسه آزمون است.

اینجانب با شماره داوطلبی در جلسه این آزمون شرکت می‌نمایم.

امضا:

زبان عمومی و تخصصی (انگلیسی):

PART A: Vocabulary

Directions: Choose the word or the phrase (1), (2), (3), or (4) that best completes the blank. Then mark the correct choice on your answer sheet.

- 1- In the central highlands of New Guinea the sudden ----- from the society of the stone ax to the society of sailing ships (and now of airplanes) has not been easy to make.
1) manifestation 2) deterioration 3) transition 4) sophistication
- 2- I want your help with my literature review. ----- to the e-mail are some questions. Please answer them.
1) Raised 2) Posed 3) Inquired 4) Attached
- 3- There is no single or widely used definition of children's literature. It can be ----- defined as anything that children read or more specifically defined as fiction, non-fiction, poetry, or drama intended for and used by children and young people.
1) broadly 2) optimistically 3) controversially 4) neutrally
- 4- When many of the spoken languages of the Native American Indians were ----- as a result of colonialism by English, French, Spanish or Portuguese, they became extinct.
1) distributed 2) replicated 3) illustrated 4) replaced
- 5- During the winter storm, the road conditions were so ----- that schools were cancelled for a week.
1) reckless 2) deplorable 3) superficial 4) erratic
- 6- Laying a bouquet of flowers and the gift-wrapped doll upon the bed, the young mother kissed the sleeping Soha and said this -----: "A happy birthday, and God bless you, my daughter!"
1) beneficence 2) malediction 3) benediction 4) valediction
- 7- People who ----- their dreams do what they love and they go for greatness.
1) chase 2) involve 3) gather 4) require
- 8- Attention is essential in achieving anything. If you can't pay attention, you can't get the job -----.
1) taken 2) made 3) tried 4) done
- 9- Everything man-made around you was ----- a thought in someone's head.
1) socially 2) originally 3) quickly 4) desirably
- 10- The strength of the United Nations is dependent upon the ----- of its member countries.
1) encounter 2) assumption 3) cooperation 4) urgency

PART B: Cloze Passage

Directions: Read the following passage and decide which choice (1), (2), (3), or (4) best fits each space. Then mark the correct choice on your answer sheet.

I can put my cash card into an ATM anywhere in the world and take out a fistful of local currency, while the corresponding amount (11) ----- from my bank account at home. I don't even think twice: (12) ----- the country, I trust that the system will work.

The whole world runs on trust. We trust that people on the street won't rob us, (13) ----- the bank we deposited money in last month returns it this month, that the justice system punishes the guilty (14) -----, We trust the food (15) ----- won't poison us, and the people we let in to fix our boiler won't murder us.

- | | | | | |
|-----|--------------------------------|--------------------------------|---------------------------------------|-------------------------------------|
| 11- | 1) to debit | 2) is debited | 3) debits | 4) debiting |
| 12- | 1) in spite of | 2) in relation to | 3) no matter | 4) regardless of |
| 13- | 1) that | 2) and | 3) for | 4) though |
| 14- | 1) and the innocent exonerated | 2) and exonerates the innocent | 3) in order for innocent to exonerate | 4) which it exonerates the innocent |
| 15- | 1) is bought | 2) which we buy it | 3) we buy | 4) to buy |

PART C: Reading Comprehension

Directions: Read the following four passages and answer the questions by choosing the best choice (1), (2), (3), or (4). Then mark the correct choice on your answer sheet.

PASSAGE 1:

Systems engineering is an interdisciplinary field of engineering and engineering management that focuses on how to design and manage complex systems over their life cycles. At its core, systems engineering utilizes systems thinking principles to organize this body of knowledge. Issues such as requirements engineering, reliability, logistics, coordination of different teams, testing and evaluation, maintainability and many other disciplines necessary for successful system development, design, implementation, and ultimate decommission become more difficult when dealing with large or complex projects. Systems engineering deals with work-processes, optimization methods, and risk management tools in such projects. It overlaps technical and human-centered disciplines such as industrial engineering, mechanical engineering, manufacturing engineering, control engineering, software engineering, electrical engineering, cybernetics, organizational studies and project management. Systems engineering ensures that all likely aspects of a project or system are considered, and integrated into a whole.

The systems engineering process is a discovery process that is quite unlike a manufacturing process. A manufacturing process is focused on repetitive activities that achieve high quality outputs with minimum cost and time. The systems engineering process must begin by discovering the real problems that need to be resolved, and identify the most probable or highest impact failures that can occur – systems engineering involves finding solutions to these problems.

- 16- **You can infer from the passage that -----.**
- 1) Large or complex projects are rarely decommissioned
 - 2) In manufacturing engineering, processes are iteratively minimized
 - 3) In systems engineering, failures are prioritized prior to resolution
 - 4) Manufacturing engineering is only concerned with the technical aspects of Large or complex projects
- 17- **Which of the following has NOT been stated as a concern of systems engineering?**
- 1) agility
 - 2) optimization
 - 3) systems design
 - 4) problem discovery
- 18- **According to the passage, systems engineering -----.**
- 1) deals with different environmental issues
 - 2) is most effective when applied in moderation
 - 3) deals with diverse aspects of complex systems
 - 4) is concerned with systems of low-to-moderate complexity

PASSAGE 2:

Programming languages share properties with natural languages related to their purpose as vehicles for communication, having a syntactic form separate from its semantics, and showing language families of related languages branch one from another. But as artificial constructs, they also differ in fundamental ways from languages that have evolved through usage. A significant difference is that a programming language can be fully described and studied in its entirety, since it has a precise and finite definition. By contrast, natural languages have changing meanings given by their users in different communities. While constructed languages are also artificial languages designed from the ground up with a specific purpose, they lack the precise and complete semantic definition that a programming language has.

Many programming languages have been designed from scratch, altered to meet new needs, and combined with other languages. Many have eventually fallen into disuse. Although there have been attempts to design one "universal" programming language that serves all purposes, all of them have failed to be generally accepted as filling this role. The need for diverse programming languages arises from the diversity of contexts in which languages are used.

- 19- **It can be inferred from the passage that natural languages and programming languages are similar in that -----.**
- 1) their semantic definitions are precise
 - 2) they form inter-related families
 - 3) their usage contexts are immutable
 - 4) they are converging towards a universal language
- 20- **Different programming languages are required because -----.**
- 1) user communities construct their own specific programming languages
 - 2) programming languages do not evolve
 - 3) universal natural languages cannot be reused
 - 4) diverse usage contexts require diverse programming languages

- 21- According to the passage, which of the following is true about programming languages?
- 1) Many of them are no longer used.
 - 2) Many of them can replace natural languages.
 - 3) They are the only artificial languages ever constructed.
 - 4) They are the only languages that can be used indefinitely.
- 22- This passage is mainly about -----.
- 1) Comparing programming languages to artificial languages
 - 2) Introducing the characteristics of programming languages
 - 3) Introducing the characteristics of artificial languages
 - 4) Comparing artificial languages to natural languages

PASSAGE 3:

DevOps (a clipped compound of "development" and "operations") is a software engineering culture and practice that aims at unifying software development (Dev) and software operation (Ops). The main characteristic of the DevOps movement is to strongly advocate automation and monitoring at all steps of software construction, from integration, testing, and releasing to deployment and infrastructure management. DevOps aims at shorter development cycles, increased deployment frequency, and more dependable releases, in close alignment with business objectives.

Companies that practice DevOps have reported significant benefits, including: significantly shorter time to market, improved customer satisfaction, better product quality, more reliable releases, improved productivity and efficiency, and the increased ability to build the right product by fast experimentation.

However, a study released in January 2017 of almost 2,200 IT executives and industry professionals found that only one in five surveyed think DevOps had a strategic impact on their organization despite the rise in usage. The same study found that only 17% identified DevOps as key, well below software as a service (42%), big data (41%) and public cloud infrastructure as a service (39%).

To practice DevOps effectively, software applications have to meet a set of architecturally significant requirements (ASRs), such as: deployability, modifiability, testability, and monitorability. These ASRs require a high priority and cannot be traded off lightly.

- 23- Which of the following titles is most appropriate for this passage?
- 1) DevOps: A Brief History
 - 2) DevOps: Capabilities and Limitations
 - 3) DevOps: Why Is It Considered Harmful?
 - 4) DevOps: A Total Solution for All Your problems
- 24- Which of the following can be inferred from the passage?
- 1) Effective application of DevOps requires changeability of standards.
 - 2) DevOps can improve the quality of the artifacts produced.
 - 3) Practitioners unanimously agree that DevOps is strategically effective.
 - 4) DevOps is mainly concerned with project management activities.

25- According to the passage, which of the following is true about DevOps?

- 1) It is dominant in business-oriented organizations.
- 2) It is mainly concerned with coding and testing.
- 3) It can replace "software as a service" solutions.
- 4) It can increase overall development speed.

PASSAGE 4:

All hackers seem to have one thing in common: they enjoy figuring out how things work. They are often, but not necessarily, computer prodigies. They apply their natural curiosity to understanding computer applications and systems. They gain an intimate knowledge of these applications and systems.

The white hat hacker has immaculate computer ethics. If a white hat hacker discovers a security weakness in a computer network, the hacker would naturally inform the network administrator of the problem and perhaps cordially offer some advice on how to address the problem.

The black hat hacker, on the other hand, can be cunning and even malicious. In some circles, the term cracker is used instead.

Black hat crackers have broken into computer networks and used that access to steal money. They have threatened to damage computers and computer networks.

In between the white hat and the black hat there is the gray hat hacker. Gray hat hackers find their way into computer systems and networks, but they are not quick to inform the owner of the security problem. At the same time, they are not usually intent on mangling the system software or memory either. There have been cases of gray hats leaving behind messages or defacing websites with electronic graffiti in order to let others know that they were capable of getting in, but not doing any real damage. So, while gray hats wouldn't likely stand up for the rights of network owners or managers, they are also likely to do little or no damage.

In conclusion, it seems the future of white hat hackers is secure as their skills are in demand to secure the vast number of computer networks around the world. There is certainly more pressure than ever on gray hat hackers to stop their activities. Many people are questioning their rationale, because today's corporations and governments simply have too much at stake to allow them to casually enter their networks. In recent years, gray hats have been attested and prosecuted for crimes that might have been ignored in the past. And finally while the early black hat hackers were never severely punished, their activities are today taken more seriously than ever before. However, the problem of the black hat hacker is sure to continue.

26- The author's purpose in writing this passage is to -----.

- 1) show that the hackers are not as bad as people think
- 2) warn the reader to avoid hacker while on the internet
- 3) convince the readers that gray hats are mostly ethical
- 4) inform the readers about various types of hackers

27- You can infer from paragraph 2 that white hat hackers -----.

- 1) ask permission before entering a computer network
- 2) often ensure the security of organization's information system
- 3) usually report the illegal happenings occurred in cyber environments
- 4) use dissimilar methods compared to other hackers for breaking into computer network.

- 28- **Black hat hackers** -----.
- 1) retrieve cyber crimes
 - 2) perpetrate computer frauds
 - 3) show skills in achieving one's ends by deceit
 - 4) are the epitome of all that the public do in a computer network
- 29- **It's stated in the passage that the hackers** -----.
- 1) are cordial computer programmers that use bugs or exploits to break into computer systems
 - 2) are experienced computer experts using their technical knowledge to overcome a problem
 - 3) have a level of knowledge sometimes equal or superior to the creators' themselves
 - 4) have malicious forgers to damage computers and computer networks
- 30- **Which type of hacker is most likely to disappear in the future?**
- 1) The gray hat hacker
 - 2) The black hat hacker
 - 3) The white hat hacker
 - 4) They are all likely to disappear

ریاضیات (ریاضی عمومی (۱ و ۲)، معادلات دیفرانسیل، آمار و احتمال مهندسی، ریاضیات گسسته):

۳۱- در بین اعداد مختلط z که $\left| \frac{6z-i}{2+3iz} \right| \leq 1$ ، بیشترین مقدار اندازه z کدام است؟

- (۱) $\frac{1}{5}$
- (۲) $\frac{1}{4}$
- (۳) $\frac{1}{3}$
- (۴) $\frac{1}{2}$

۳۲- ناحیه بین منحنی $x = e^y + \sin y$ و $x = \sin y$ برای $y \in [0, \frac{\pi}{4}]$ را حول محور x ها دوران می‌دهیم. حجم

جسم به دست آمده، کدام است؟

- (۱) $\pi(\pi-2)e^2 + 2\pi$
- (۲) $\pi(\pi-1)e^2 + 2\pi$
- (۳) $\pi(\pi-2)e^2 + \pi$
- (۴) $\pi(\pi-1)e^2 + \pi$

۳۳- همگرایی یا واگرایی انتگرال‌های $\int_1^{+\infty} \cos t \, dt$ و $\int_1^{+\infty} \cos(t^2) \, dt$ به ترتیب از راست به چپ، کدام است؟

- (۱) همگرا - همگرا
- (۲) واگرا - واگرا
- (۳) همگرا - واگرا
- (۴) واگرا - همگرا

۳۴- بازه همگرایی $\sum_{n=2}^{\infty} \frac{(x-2)^n}{n(Ln)}$ ، کدام است؟

(۱) $[1, 3]$

(۲) $[1, 2]$

(۳) $(1, 3)$

(۴) $(1, 2]$

۳۵- خط مماس بر منحنی فصل مشترک رویه‌های $z = 4 - 4x^2$ و $z = 4x^2 + 4y^2$ در نقطه $(0, 1, 4)$ ، موازی کدام بردار است؟

(۱) \hat{j}

(۲) \hat{i}

(۳) $\hat{i} - \hat{j}$

(۴) $\hat{i} + \hat{j}$

۳۶- مقدار انتگرال $\int_0^1 \int_{\sqrt{x}}^2 (e^{y^4} + y^2) dy dx$ ، کدام است؟

(۱) $\frac{1}{12}(2e^{16} + 125)$

(۲) $\frac{1}{12}(2e^{16} + 127)$

(۳) $\frac{1}{12}(2e^{16} + 129)$

(۴) $\frac{1}{12}(2e^{16} + 125)$

۳۷- فرض کنید که C منحنی جهت دار $(x-2)^4 + (y+2)^4 = 1$ در جهت مثلثاتی باشد. مقدار انتگرال زیر کدام است؟

$$\oint_C \left(\frac{2e^x}{2(e^x + x^2)} - \frac{2y}{2(x^2 + y^2)} \right) dx + \left(\frac{2x}{2(x^2 + y^2)} - \frac{2e^y}{2(e^y + y^2)} \right) dy$$

(۱) صفر

(۲) π

(۳) 2π

(۴) 3π

۳۸- فرض کنید S سطح کره $x^2 + y^2 + z^2 = 1$ باشد. مقدار انتگرال روی سطح زیر کدام است؟

$$\iint_S ((2x + 2z)x - (xz + y)y + (y^2 + 2z)z) d\sigma$$

(۱) ۰

(۲) 3π

(۳) 4π

(۴) 12π

۳۹- کدام مورد، جواب عمومی معادله دیفرانسیل $y(x^2 e^{xy} - y)dx + x(x^2 e^{xy} + y)dy = 0$ است؟

$$2e^{xy} + \left(\frac{y}{x}\right)^2 = C \quad (1)$$

$$2e^{xy} - \left(\frac{y}{x}\right)^2 = C \quad (2)$$

$$2e^{xy} + \left(\frac{x}{y}\right)^2 = C \quad (3)$$

$$2e^{xy} - \left(\frac{x}{y}\right)^2 = C \quad (4)$$

۴۰- جواب عمومی غیربدیهی معادله دیفرانسیل $yy'' + (1+y)(y')^2 = 0$ کدام است؟

$$e^y(y+1) = C_1x + C_2 \quad (1)$$

$$e^y(y-1) = C_1x + C_2 \quad (2)$$

$$e^{-y}(y-1) = C_1x + C_2 \quad (3)$$

$$e^{-y}(y+1) = C_1x + C_2 \quad (4)$$

۴۱- ضریب x^3 در جواب به سری معادله دیفرانسیل $y'' - y' \sin x + xy = 0$ با شرایط اولیه $y(0) = 0, y'(0) = 1$ کدام است؟

$$-\frac{1}{3} \quad (1)$$

$$-\frac{1}{6} \quad (2)$$

$$\frac{1}{3} \quad (3)$$

$$\frac{1}{6} \quad (4)$$

۴۲- تبدیل لاپلاس معکوس تابع $\frac{s}{s^2 + 4s + 5}$ ، کدام است؟

$$e^{2t}(\cos t - 2\sin t) \quad (1)$$

$$e^{2t}(\cos t + 2\sin t) \quad (2)$$

$$e^{-2t}(\cos t - 2\sin t) \quad (3)$$

$$e^{-2t}(\cos t + 2\sin t) \quad (4)$$

۴۳- ضریب تغییرات (cv) سن ۲۰ نفر بعد از گذشت ۵ سال، چگونه است؟

(۱) ثابت می ماند.

(۲) افزایش می یابد.

(۳) کاهش می یابد.

(۴) ابتدا کاهش و سپس افزایش می یابد.

۴۴- بر اساس یک نمونه‌ی تصادفی از توزیع $N(\mu, 9)$ ، خلاصه اطلاعات زیر حاصل شده است. برای آزمون فرض $H_0: \mu = 1$ در مقابل $H_1: \mu = 3$ اگر ناحیه بحرانی به فرم $\bar{x} \geq k$ باشد، مقدار p -مقدار (p-value) آزمون کدام است؟
($n = 9$, $\bar{x} = 2$)

(۱) ۰/۸۴۱۳

(۲) ۰/۸۶۴۳

(۳) ۰/۱۳۵۷

(۴) ۰/۱۵۸۷

۴۵- جعبه ۱ شامل ۱ مهره سفید و ۱ مهره سبز، جعبه ۲ شامل ۱ مهره سفید و ۲ مهره سبز و جعبه ۳ شامل ۱ مهره سفید و ۳ مهره سبز است. جعبه i ام با احتمال π_i ، $i = 1, 2, 3$ انتخاب و یک مهره به تصادف از آن جعبه خارج می‌کنیم. اگر مهره انتخابی سبز باشد، به ازای چه مقداری از (π_1, π_2, π_3) ، احتمال‌های پسین یکسان است؟

(۱) $(\frac{6}{23}, \frac{9}{23}, \frac{8}{23})$

(۲) $(\frac{12}{29}, \frac{9}{29}, \frac{8}{29})$

(۳) $(\frac{12}{27}, \frac{8}{27}, \frac{7}{27})$

(۴) $(\frac{11}{25}, \frac{8}{25}, \frac{6}{25})$

۴۶- در مدل رگرسیون خطی ساده $y = \alpha + \beta x + \varepsilon$ ، بر اساس یک نمونه تصادفی خلاصه اطلاعات به صورت زیر حاصل شده است. مقدار (مجموع مربعات خطا، انحراف معیار پیشگو) $(S_{y.x}, SSE)$ ، کدام است؟

$\bar{x} = 2, \bar{y} = 3, S_x = 4, S_y = 5, r = 0.6$

(۱) (۴, ۱۶)

(۲) (۴, ۱۴)

(۳) (۱۴, ۴)

(۴) (۱۶, ۴)

۴۷- اگر تمام زیرمجموعه‌های مجموعه $\{1, 2, 3, \dots, n\}$ را نوشته و اعضای آن‌ها را با هم جمع کنیم، عدد به دست آمده کدام است؟

(۱) $\binom{n}{2} 2^{n-1}$

(۲) $\binom{n+1}{2} 2^n$

(۳) $\binom{n+1}{2} 2^{n-1}$

(۴) $\binom{n}{2} \times 2 \times 3^{n-1}$

۴۸- مجموعه A از اعداد طبیعی «پوشا» است، اگر داشته باشیم:

$$\forall x, y \in \mathbb{N}: ((x \in A) \wedge (y \in A) \wedge (y > x)) \rightarrow (\forall z \in \mathbb{N}: ((z > x) \wedge (z < y)) \rightarrow (z \in A))$$

اگر مجموعه تمام زیرمجموعه‌های پوشا از اعداد طبیعی را مجموعه B بنامیم، کدام مورد درست است؟

(۱) مجموعه B تهی است.

(۲) مجموعه B ناشمارا است.

(۳) مجموعه B منتهای و ناتهی است.

(۴) مجموعه B شمارا و نامنتهای است.

۴۹- فرض کنید a_n تعداد ماتریس‌های متقارن با درایه‌های ۰ و ۱ باشد که جمع اعداد هر ستون آن ۱ است. در

این صورت a_n در کدام رابطه بازگشتی زیر صدق می‌کند؟

$$a_n = a_{n-1} + (n-1) \times a_{n-2} \quad (۱)$$

$$a_n = (n-1) \times a_{n-2} \quad (۲)$$

$$a_n = n \times a_{n-2} \quad (۳)$$

$$a_n = 2a_{n-1} \quad (۴)$$

۵۰- تابع مولد دنباله $\binom{n-1}{0}, \binom{n}{1}, \binom{n+1}{2}, \dots$ کدام است؟

$$\frac{1}{1-x} \quad (۱)$$

$$\frac{1}{1-x^n} \quad (۲)$$

$$\frac{1}{(1-x)^2} \quad (۳)$$

$$\frac{1}{(1-x)^n} \quad (۴)$$

دروس تخصصی مشترک (ساختمان داده‌ها و طراحی الگوریتم‌ها، نظریه زبان‌ها و ماشین‌ها، مدارهای منطقی، معماری کامپیوتر، سیستم عامل و شبکه‌های کامپیوتری):

۵۱- یک درخت دودویی جست‌وجو شامل n عدد و ارتفاع $O(\log n)$ در اختیار داریم. به ازای هر گره در درخت فوق

تعداد نوادگان آن گره به عنوان اطلاعات اضافه، ذخیره شده است. کدام مورد را در زمان $O(\log n)$ نمی‌توان

پاسخ داد؟

(۱) تعداد اعداد کوچک‌تر از عدد داده شده a

(۲) تعداد اعداد ذخیره شده در درخت که در بازه داده شده $[a, b]$ قرار دارند.

(۳) میانه اعداد ذخیره شده در درخت که در بازه داده شده $[a, b]$ قرار دارند.

(۴) میانگین اعداد ذخیره شده در درخت که در بازه داده شده $[a, b]$ قرار دارند.

۵۲- آرایه یک بعدی A، شامل n عدد صفر و یک است. اگر به ازای هر صفر، اولین یک سمت چپ (با اندیس کمتر) و به

ازای هر یک، اولین صفر سمت چپ آن را پیدا کنیم، هزینه سرشکن این محاسبه برای هر عدد، کدام است؟

(بهترین پاسخ را انتخاب کنید.)

$$O(n) \quad (۲)$$

$$O(1) \quad (۱)$$

$$O(\log \log n) \quad (۴)$$

$$O(\log n) \quad (۳)$$

۵۳- جواب رابطه بازگشتی $T(n) = T(\sqrt{n}) + O(\log \log n)$ ، کدام است؟

(۱) $O(\log n)$

(۳) $O(\log \log n)$

(۴) $O(\log^2 \log n)$

(۲) $O(\log^2 n)$

۵۴- آرایه A از n عدد دلخواه متمایز تشکیل شده و k یک عدد از پیش مشخص است. فرض کنید عملیات $\text{sort}(i)$ به ازای $1 \leq i \leq n - k + 1$ ، زیر آرایه $A[i..i+k-1]$ را مرتب می‌کند. در بدترین حالت چند عملیات sort برای مرتب کردن آرایه A لازم است؟ (بهترین پاسخ را انتخاب کنید.)

(۱) $O(n^2 / k)$

(۳) $O(n \log n)$

(۴) $O(n \log_k n)$

(۲) $O(n^2 / k^2)$

۵۵- یک جدول درهم‌ساز داریم. فرض کنید برای رفع مشکل تصادم از روش واریسی خطی استفاده شده است. با در نظر گرفتن فرض یکنواختی تابع در هم‌ساز، کلید بعدی با چه احتمالی در خانه دوم قرار می‌گیرد؟ (خانه‌های جدول از چپ به راست از ۱ تا ۱۸ شماره‌گذاری شده‌اند.)

۵	۷			۱۱	۲	۹	۱۴	۳	۱	۴	۶
---	---	--	--	----	---	---	----	---	---	---	---

(۱) $\frac{1}{18}$

(۲) $\frac{5}{18}$

(۳) $\frac{8}{18}$

(۴) $\frac{10}{18}$

۵۶- آرایه A شامل n عدد داده شده است. همچنین یک جعبه سیاه داریم که به عنوان ورودی یک زیرمجموعه $S \subseteq \{1, 2, \dots, n\}$ با اندازه حداکثر k و یک عدد x را به عنوان ورودی می‌گیرد و اگر عدد $i \in S$ وجود داشت طوری که $A[i] = x$ ، مقدار یک را برمی‌گرداند و در غیر این صورت صفر برمی‌گرداند. با چند مرتبه استفاده از این جعبه سیاه می‌توانیم به ازای یک عدد دلخواه x در صورت وجود، اندیس y را که $A[y] = x$ است پیدا کنیم؟ (بهترین پاسخ را انتخاب کنید.)

(۱) $O(n)$

(۲) $O(n/k)$

(۳) $O(\log n)$

(۴) $O(n/k + \log k)$

۵۷- گراف وزن‌دار و همبند G را در نظر بگیرید (وزن‌ها مثبت هستند). وزن یک مسیر ساده (بدون رأس تکراری) در گراف را برابر وزن یالی که در مسیر کمترین وزن را دارد، تعریف می‌کنیم. در الگوریتم‌های بلمن - فورد و دایکسترا، $d[u]$ برابر سبک‌ترین مسیر ساده به دست آمده تاکنون از مبدا در نظر گرفته می‌شود. اگر در این الگوریتم‌ها به ازای یال (u, v) با وزن $w(u, v)$ به‌روزرسانی را به این شکل تغییر دهیم که $d[v] = \min(w(u, v), d[u])$ ، کدام یک از دو الگوریتم فوق با تغییر انجام شده، همیشه درست کار می‌کند؟

(مقدار اولیه $d(u)$ در هر دو الگوریتم برابر مثبت بی‌نهایت قرار داده می‌شود.)

(۱) هر دو الگوریتم

(۲) فقط الگوریتم دایکسترا

(۴) هیچ یک از این دو الگوریتم

(۳) فقط الگوریتم بلمن - فورد

۵۸- گراف وزن دار، همبند و بدون جهت $G = (V, E)$ را در نظر بگیرید. الگوریتم زیر را روی G اجرا می‌کنیم. در ابتدا $M = (V, \{\})$ قرار می‌دهیم. سپس یال‌های G را به ترتیب دلخواه در M درج می‌کنیم. بعد از درج هر یال، اگر M دارای دور بود، به ازای هر دور در M سنگین‌ترین یال آن دور را حذف می‌کنیم. کدام گزاره‌ها درست هستند؟

(a) M همیشه برابر درخت پوشای کمینه G است.

(b) اگر یال‌ها به ترتیب وزن (از کوچک به بزرگ) درج شوند، M حتماً درخت پوشای کمینه خواهد بود.

(۱) a درست ، b درست

(۲) a نادرست ، b درست

(۳) b نادرست ، a درست

(۴) a نادرست ، b نادرست

۵۹- برای دنباله $X = \langle x_1, \dots, x_n \rangle$ متشکل از اعداد متمایز، فرض کنید $LIS(X)$ بزرگ‌ترین زیردنباله صعودی X و $LIS(X, a)$ بزرگ‌ترین زیر دنباله صعودی X که عنصر آخر آن حداکثر a می‌باشد. چه تعداد از گزاره‌های زیر درست هستند؟

(در زیر $X_i = \langle x_1, \dots, x_i \rangle$ و عملگر \max دنباله با طول بزرگ‌تر را برمی‌گرداند.)

• $LIS(X_n) = \max_{i=1}^n (\langle LIS(X_{i-1}, x_i), x_i \rangle)$

• $LIS(X_n) = \langle LIS(X_{n-1}, x_n), x_n \rangle$

• $LIS(X_n) = \max(LIS(X_{n-1}), \langle LIS(X_{n-1}, x_n), x_n \rangle)$

○ (۱)

۱ (۲)

۲ (۳)

۳ (۴)

۶۰- فرض کنید برای ساخت درخت کد هافمن از الگوریتم زیر استفاده کنیم. حروف الفبا را به دو دسته A و B به گونه‌ای افزایش می‌دهیم که اختلاف تعداد تکرارهای حروف الفبا در A و B کمینه شود. به‌طور بازگشتی درخت کد هافمن را برای هر یک از این دو دسته می‌سازیم. سپس دو درخت به دست آمده برای A و B را به‌عنوان زیردرخت‌های ریشه قرار می‌دهیم. (اگر تعداد حروف الفبا ۱ باشد، درخت کد هافمن تک رأسی است.) اگر n تعداد حروف الفبا باشد، کوچک‌ترین مقدار n که برای آن الگوریتم فوق درخت بهینه را تولید نمی‌کند، کدام است؟

۲ (۱)

۳ (۲)

۴ (۳)

۵ (۴)

۶۱- با توجه به تعریف گزاره‌های P و Q ، کدام مورد درست است؟

(P) به‌ازای هر گرامر مستقل از متن، الگوریتمی وجود دارد که بتوان گفت آیا زبان تولید شده به وسیله آن گرامر نامتناهی است یا خیر.

(Q) به‌ازای هر دو گرامر مستقل از متن، الگوریتمی وجود دارد که بتوان گفت آیا آن دو گرامر زبان مشترکی را تولید می‌کنند یا خیر.

(۱) P درست ، Q درست

(۲) P نادرست ، Q نادرست

(۳) P درست ، Q نادرست

(۴) P نادرست ، Q درست

۶۲- کدام عبارت منظم، بیانگر زبانی منظم است و رشته‌هایی را که با ۰۰ یا ۱۱ شروع یا پایان می‌یابند، می‌پذیرد؟

(۱) $(00+11)(0+1)^*(00+11)$

(۲) $[00(0+1)^*11] + [11(0+1)^*00]$

(۳) $[(00+11)(0+1)^*] + [(0+1)^*(00+11)]$

(۴) $[(00+11)(0+1)^+] + [(0+1)^+(00+11)]$

۶۳- زبان گرامر مستقل از متن زیر کدام است؟

$S \rightarrow aB \mid bA,$

$A \rightarrow a \mid aS \mid bAA,$

$B \rightarrow b \mid bS \mid aBB$

(۱) شامل تمام رشته‌هایی که دارای تعداد a ها و b های برابر هستند.

(۲) شامل تمام رشته‌هایی که دارای تعداد a های زوج و تعداد b های فرد هستند.

(۳) شامل تمام رشته‌هایی که دارای تعداد a های فرد و تعداد b های زوج هستند.

(۴) شامل تمام رشته‌هایی که دارای تعداد a های زوج و تعداد b های زوج هستند.

۶۴- چند پذیرنده متناهی قطعی (DFA) با ۲ حالت و الفبای {۰, ۱} وجود دارد؟

(۱) ۱۶

(۲) ۲۶

(۳) ۳۲

(۴) ۶۴

۶۵- برای توابع f و g داده شده، عبارت ساده شده تابع $F = f.g$ مطابق با کدام مورد است؟

$g = (w + x + y' + z')(x' + y' + z)(w' + y + z'), f = wxy' + y'z + w'yz' + x'yz'$

(۱) $x'yz' + y'zw' + xy'z'w$

(۲) $x'yz' + yzw' + xy'zw'$

(۳) $y' + z'w' + xz + x'w$

(۴) $y'zw + xyz'w'$

۶۶- عبارت $ab + b'd'$ ساده شده تابع $f(a, b, c, d) = a'b'c'd' + ab'd' + abc'$ است. حداقل چند مینترم

بی‌اهمیت (چهار متغیری) برای این تابع وجود دارد؟

(۱) ۲

(۲) ۳

(۳) ۴

(۴) ۵

۶۷- هر دو ورودی J و K یک فلیپ فلاپ JK به خروجی \bar{Q} آن متصل شده است. خروجی Q در پالس ساعت بعدی

کدام است؟

(۴) \bar{Q}

(۳) Q

(۲) صفر ثابت

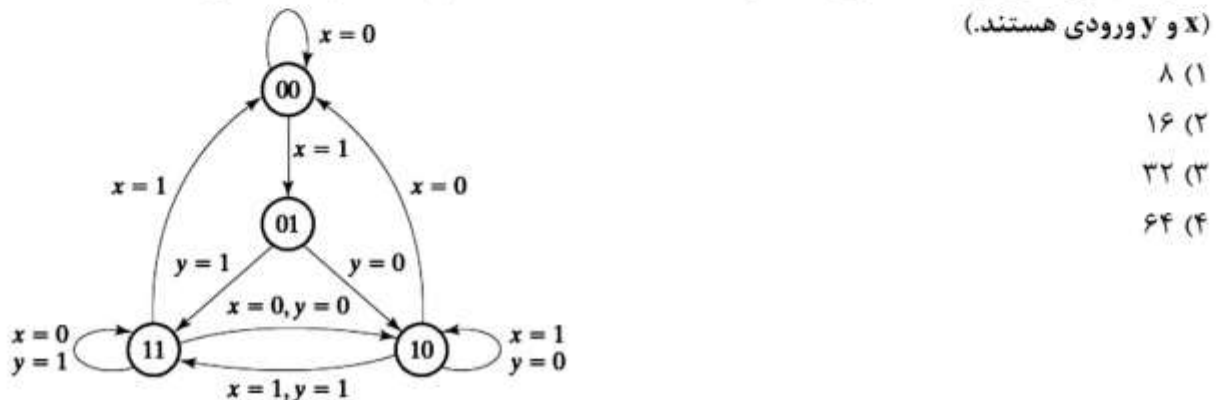
(۱) یک ثابت

۶۸- جدول حالت زیر را در نظر بگیرید. پس از کاهش تعداد حالات، جدول حالت حاصل چند حالت دارد؟

PS	NS/Z		
	X=0	X=1	
A	B/1	A/0	۵ (۱)
B	A/1	B/1	۴ (۲)
C	C/0	D/1	۳ (۳)
D	E/0	C/1	۲ (۴)
E	D/0	E/1	

۶۹- اگر بخواهیم نمودار حالت زیر را با استفاده از دو فلیپ فلاپ نوع D طرح کنیم و برای پیاده‌سازی ورودی فلیپ

فلاپ‌ها، بدون هیچ گونه ساده‌سازی، فقط از حافظه ROM استفاده کنیم، حافظه چند بیت دارد؟



۷۰- می‌خواهیم دو ماتریس 4×8 را که هر درایه آن ۶۴ بیتی است با هم جمع کنیم. یک جمع کننده خط لوله ای طراحی کرده‌ایم که در ۹ کلاک دو عدد ۶۴ بیتی را با هم جمع می‌کند و با فرکانس ۱ گیگاهرتز کار می‌کند. در مقایسه با یک جمع کننده تمام ترکیبی ۶۴ بیتی که در یک کلاک حاصل جمع را تولید می‌کند ولی فرکانس کاری آن ۲۰۰ مگاهرتز است، کدام جمع کننده سریعتر می‌باشد و چند برابر است؟

(۱) تمام ترکیبی - ۵ برابر (۲) تمام ترکیبی - ۲ برابر (۳) خط لوله‌ای - ۹ برابر (۴) خط لوله‌ای - ۴ برابر

۷۱- چند مورد از گزاره‌های داده شده درست هستند؟

- (a) در ضرب دو عدد دودویی n بیتی به روش Booth، همیشه تعداد عمل تفریق بیشتر از تعداد عمل جمع است.
(b) در تقسیم دو عدد دودویی به روش غیر جبرانی (non-restoring) نیازی به مقایسه گر (comparator) نیست.
(c) در مدار ضرب کننده ترکیبی دو عدد دودویی ۱۰ بیتی و ۱۲ بیتی بدون علامت، از ۱۲۰ بیت 2-input AND استفاده می‌شود.
(d) در تقسیم جبرانی (restoring) دو عدد دودویی، تعداد عمل تفریق مورد نیاز با تعداد عمل جمع جبرانی برابر است.

۱ (۱) ۲ (۲) ۳ (۳) ۴ (۴)

۷۲- برای جمع ترکیبی ۹ عدد دودویی n بیتی به روش carry-save، حداقل تعداد جمع کننده carry-save کدام است؟

۷ (۱) ۹ (۲) ۱۱ (۳) ۴ بستگی به n دارد.

۷۳- طول قالب ریز دستورات در مدار کنترل ریز برنامه‌سازی شده یک سیستم دیجیتال، ۱۲۰ بیت است که ۶ بیت آن micro-OPCODE است. کدام گزاره‌ها درست هستند؟

a- حداکثر ۳۰ جعبه شرطی متفاوت در چارت عملیاتی این سیستم وجود دارد.

b- حجم ریز حافظه حداقل ۳۲ ریز دستور است.

c- چارت عملیاتی این سیستم می‌تواند بیش از ۳۰ جعبه شرطی داشته باشد.

۱ (۱) b, a (۲) c, b (۳) c, a (۴) c و b, a

۷۴- کدام عبارت، درست تر است؟

- ۱) Virtualization به شبیه‌سازی یک سیستم عامل وابسته به سخت‌افزار، بر روی یک سیستم عامل وابسته به سخت‌افزار دیگر اطلاق می‌شود.
- ۲) NUMA یک حافظه توزیع شده است که در آن هر پردازنده یا هسته، به بخش‌های مختلف اختصاصی دسترسی دارد.
- ۳) System Daemon یک برنامه سیستمی مقیم در حافظه است که در صورت لزوم به صورت ناهمگام اجرا می‌شود.
- ۴) Emulation به فرایند شبیه‌سازی یک سیستم عامل داخل سیستم عامل دیگر اطلاق می‌شود.

۷۵- سیستمی با ترجمه آدرس دو-سطحی و اندازه هر صفحه ۴ کیلوبایت در نظر بگیرید. اگر اندازه هر مدخل جدول صفحه برابر ۲ بایت (شامل اطلاعات ترجمه و دیگر اطلاعات کنترلی لازم) باشد، چه تعداد فضای بیتی به ترتیب (از راست به چپ) برای جابه‌جایی (Offset)، اندیس به جدول صفحه اول و اندیس به جدول صفحه دوم برای آدرس مجازی (Virtual address) ۳۲-بیتی لازم است؟

- ۱) ۱۰، ۱۰، ۱۲ (۱)
۲) ۹، ۱۱، ۱۲ (۲)
۳) ۱۲، ۱۰، ۱۰ (۳)
۴) ۱۲، ۱۱، ۹ (۴)

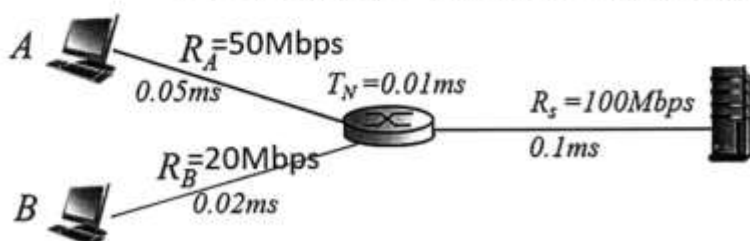
۷۶- در یک سیستم متشکل از ۴ قاب که در ابتدا خالی هستند، رشته دستیابی به قاب‌ها را به ترتیب از چپ به راست ۱، ۲، ۳، ۴، ۵، ۶، ۲، ۳، ۲، ۱، ۶، ۷ در نظر بگیرید. اگر سیستم صفحه‌بندی تماماً مبتنی بر درخواست (pure demand paging) باشد، در صورت استفاده از الگوریتم‌های FIFO و LRU به ترتیب (از راست به چپ) تعداد نقص صفحه (page fault)، کدام است؟

- ۱) ۱۰، ۱۰ (۱)
۲) ۹، ۱۰ (۲)
۳) ۶، ۶ (۳)
۴) ۵، ۶ (۴)

۷۷- شبکه‌ای را که در آن امکان برخورد (collision) بسته‌ها وجود دارد و پروتکل CSMA/CD فعال است را در نظر بگیرید. در این شبکه زمان انتشار (propagation) بین نود A و نود B یک میلی‌ثانیه (mSec) است. در لحظه $t = 0$ نود A بسته‌ای را با نرخ ۴ مگابیت بر ثانیه ارسال می‌کند و در لحظه $t = 0.8 \text{ m sec}$ نود B بسته‌ای را با نرخ ۴ مگابیت بر ثانیه ارسال می‌کند. به ترتیب از راست به چپ حداقل اندازه بسته A چند بایت باشد که A متوجه برخورد شود و حداقل اندازه بسته B چند بایت باشد که B متوجه برخورد شود؟

- ۱) ۱۰۰۰ - ۱۰۰۰ (۱)
۲) ۱۴۰۰ - ۶۰۰ (۲)
۳) ۹۰۰ - ۱۰۰ (۳)
۴) ۶۴ - ۶۴ (۴)

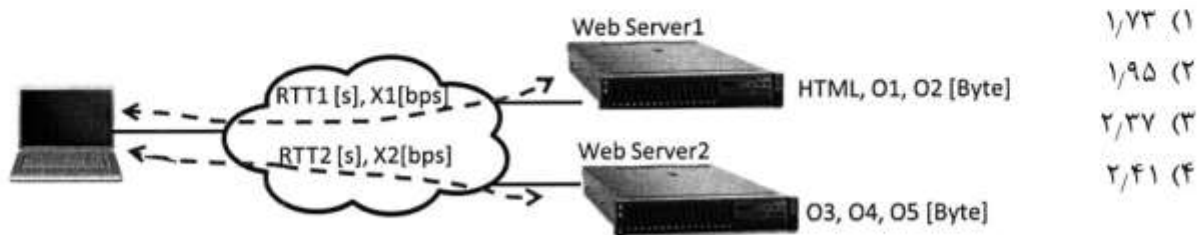
۷۸- در شبکه زیر، سرور ۱۰۰ بسته به کامپیوتر A و ۱۰۰ بسته دیگر به کامپیوتر B ارسال می‌کند. سرور بسته‌ها را یک در میان برای کامپیوتر A و سپس برای کامپیوتر B ارسال می‌کند. به عبارت دیگر، ابتدا یک بسته به کامپیوتر A ارسال شده سپس یک بسته به کامپیوتر B ارسال می‌شود و کار تا ارسال ۱۰۰ بسته برای A و ۱۰۰ بسته برای B ادامه می‌یابد. مسیریاب برای هر بسته زمان $T_N = 0.1 \text{ ms}$ را صرف مسیریابی و سوئیچینگ می‌کند. اندازه هر بسته ۱۰۰۰ بایت است. آخرین بسته ارسالی برای کامپیوتر B در صف مسیریاب چند میلی‌ثانیه معطل می‌ماند؟ (مقادیری که زیر هر لینک نوشته شده است زمان انتشار (propagation) بر حسب میلی‌ثانیه است.)



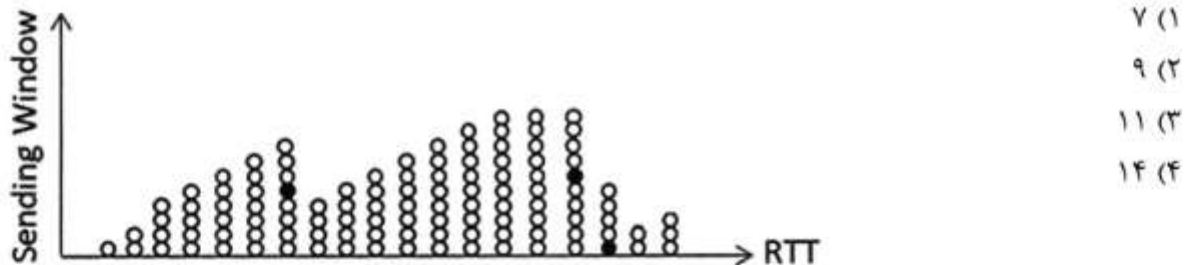
- ۱) ۲۱/۱۳ msec (۱)
۲) ۲۳/۷۶ msec (۲)
۳) ۲۴/۱۳ msec (۳)
۴) ۲۵/۱ msec (۴)

۷۹- یک صفحه وب شامل یک فایل HTML و ۵ آجکت است. فایل $HTML = 5000 \text{ Byte}$ و آجکت‌های $O_1 = 5000 \text{ Byte}$ و $O_2 = 7000 \text{ Byte}$ روی وب سرور ۱ و آجکت‌های $O_3 = 1000 \text{ Byte}$, $O_4 = 3000 \text{ Byte}$ و $O_5 = 2000 \text{ Byte}$ روی وب سرور ۲ قرار دارند. کاربری مایل است این صفحه وب را ببیند. زمان رفت و برگشت بین کامپیوتر کاربر و سرور ۱ به اندازه $RTT_1 = 0.1 \text{ s}$ است. زمان رفت و برگشت بین کامپیوتر کاربر و سرور ۲ به اندازه $RTT_2 = 0.106 \text{ s}$ است. متوسط گذردهی ارتباط بین کامپیوتر کاربر و وب سرور ۱ برابر با $X_1 = 80000$ بیت بر ثانیه است. گذردهی ارتباط بین کامپیوتر کاربر و وب سرور ۲ برابر با $X_2 = 60000$ بیت بر ثانیه است.

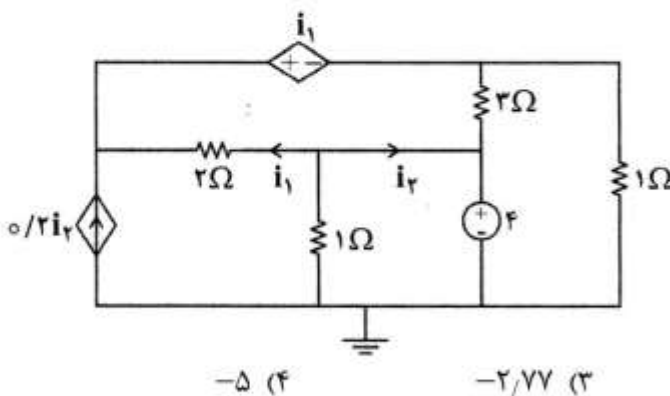
چنانچه **http1.1** در کامپیوتر کاربر و دو وب سرور فعال باشد، از لحظه‌ای که کاربر **http GET** را برای دریافت صفحه وب ارسال می‌کند تا زمانی که صفحه وب را کاملاً دریافت می‌کند چند میلی ثانیه زمان صرف می‌شود؟ (توجه داشته باشید که **http1.1** به صورت **persistent** و **pipeline** کار می‌کند).



۸۰- در یک ارتباط **tcp**، فایل‌ها از کامپیوتر ۱ به کامپیوتر ۲ ارسال می‌شود. شکل زیر پنجره‌های ارسال را در حوزه زمان نشان می‌دهد. در این شکل هر دایره یک بسته را نشان می‌دهد. دایره‌های سیاه معرف بسته‌هایی‌اند که به کامپیوتر ۲ نرسیده‌اند. اگر مکانیزم **Go-Back-n** فعال باشد، چند بسته بیش از یک بار به کامپیوتر ۲ می‌رسد؟



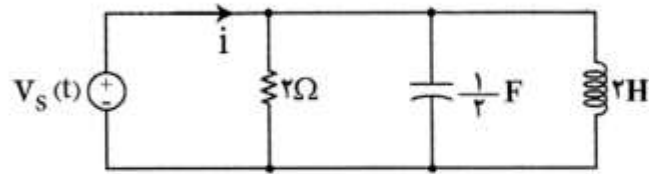
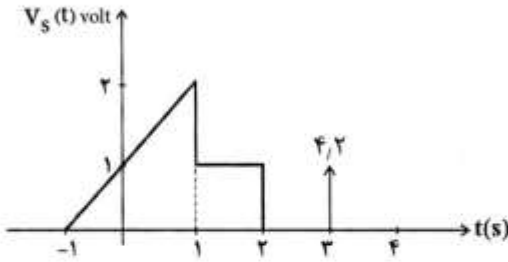
دروس تخصصی معماری سیستم‌های کامپیوتری (مدارهای الکتریکی، الکترونیک دیجیتال و **VLSI**، سیگنال‌ها و سیستم‌ها):



۸۱- در مدار شکل زیر، جریان i_2 چند آمپر است؟

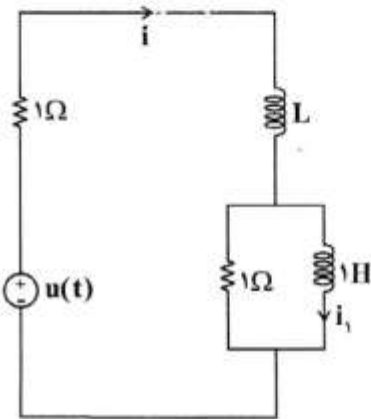
- | | | | |
|--------|-----------|----------|-------|
| -۵ (۴) | -۲,۷۷ (۳) | ۲,۷۷ (۲) | ۵ (۱) |
|--------|-----------|----------|-------|

۸۲- در مدار زیر جریان i را در لحظه $t = 4$ به دست آورید؟ (جریان سلف در لحظه $t = -1$ صفر فرض می شود).



- (۱) $-7/2$ (۲) $-3/6$ (۳) $3/6$ (۴) $7/2$

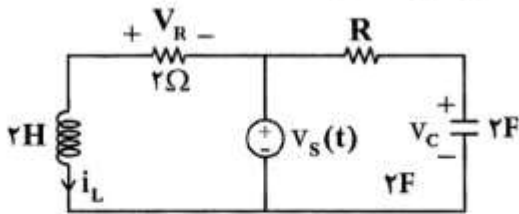
۸۳- در مدار نشان داده شده $L > 0$ خطی و تغییرناپذیر با زمان می باشد. کدام مورد در خصوص جریان i_1 ، درست است؟



- (۱) فقط به ازای یک مقدار عددی $L > 0$ پاسخ i_1 میرایی بحرانی است.
 (۲) به ازای کلیه مقادیر $L > 0$ پاسخ i_1 همواره به صورت میرایی شدید است.
 (۳) مقداری برای $L > 0$ نمی توان یافت که ضریب کیفیت مدار $Q < 1/4$ باشد.
 (۴) دو مقدار عددی برای $L > 0$ می توان یافت که پاسخ i_1 میرایی بحرانی شود.

۸۴- مدار شکل زیر برای $t < 0$ در حالت صفر است و ورودی پله واحد $v_s(t) = u(t)$ به مدار اعمال می شود.

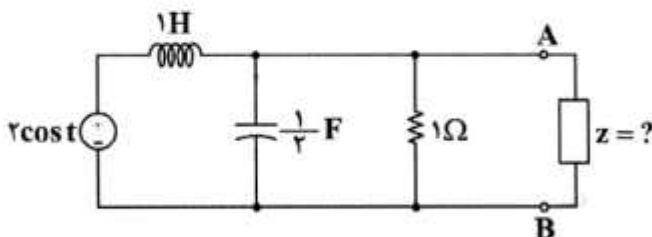
در صورتی که در لحظه $t = 2s$ داشته باشیم $v_c(t) = v_R(t)$ ، مقدار R چند اهم است؟



- (۱) $1/2$
 (۲) ۱
 (۳) ۲
 (۴) ۴

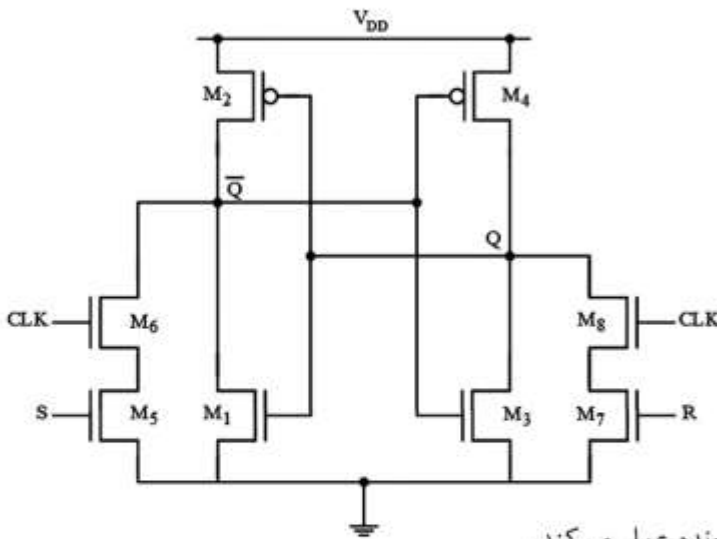
۸۵- در مدار شکل زیر که در حالت دائمی سینوسی است، در دو سر AB چه امپدانسی قرار دهیم تا توان متوسط

دریافتی آن ماکزیمم گردد؟



- (۱) $\frac{4}{5} + j\frac{2}{5}$
 (۲) $\frac{4}{5} - j\frac{2}{5}$
 (۳) $\frac{2}{5} + j\frac{4}{5}$
 (۴) $\frac{2}{5} - j\frac{4}{5}$

۸۶- عملکرد مدار زیر کدام است؟



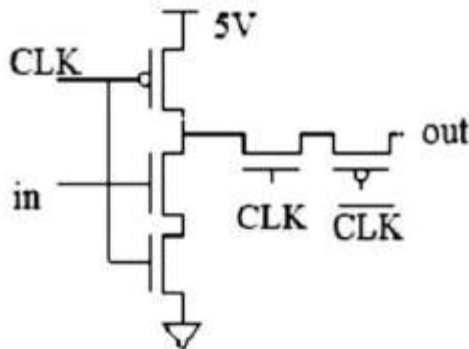
(۱) مانند یک SR latch عمل می‌کند.

(۲) مانند یک SR Flip Flop حساس به لبه بالارونده عمل می‌کند.

(۳) مانند یک SR Flip Flop حساس به لبه پایین‌رونده عمل می‌کند.

(۴) یک سلول حافظه Synchronous SRAM با قابلیت set و reset است.

۸۷- در مدار مقابل، به فرض آن که قدر مطلق ولتاژ آستانه همه ترانزیستورها برابر ۱ ولت باشد، محدوده تغییرات ولتاژ خروجی چند ولت است؟



(۱) ۰ تا ۵

(۲) ۱ تا ۵

(۳) ۰ تا ۴

(۴) ۱ تا ۴

۸۸- یک تراشه دیجیتال با ولتاژ تغذیه ۱٫۸V در فرکانس ۵۰۰ MHz کار می‌کند. در این تراشه، یک گیت با خازن ورودی ۵fF در فاصله ۴۰۰ μm از ورودی تغذیه (Ground pad) قرار دارد. اگر زمان صعود و نزول ورودی این گیت ۲۰۰ ps باشد ($t_r = t_f = 200 \text{ ps}$) سطح ولتاژ صفر منطقی در ورودی این گیت (ground bounce) کدام است؟ (مقاومت فلز را $25 \text{ m}\Omega/\mu\text{m}$ در نظر بگیرید.)

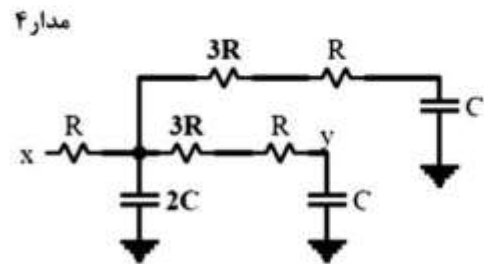
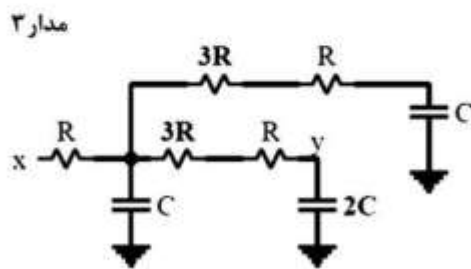
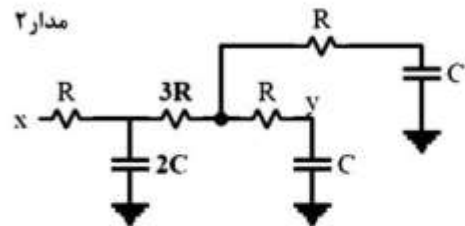
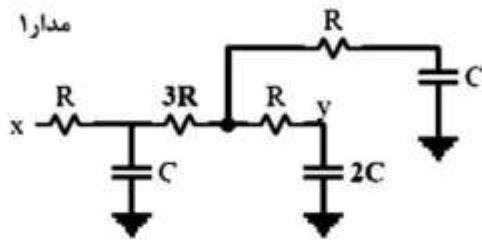
(۱) 450mV

(۲) 450μV

(۳) 900mV

(۴) 900μV

۸۹- مطابق با مدل تاخیر المور، در کدام مدار داده شده، تاخیر از x به y کمتر از بقیه است؟



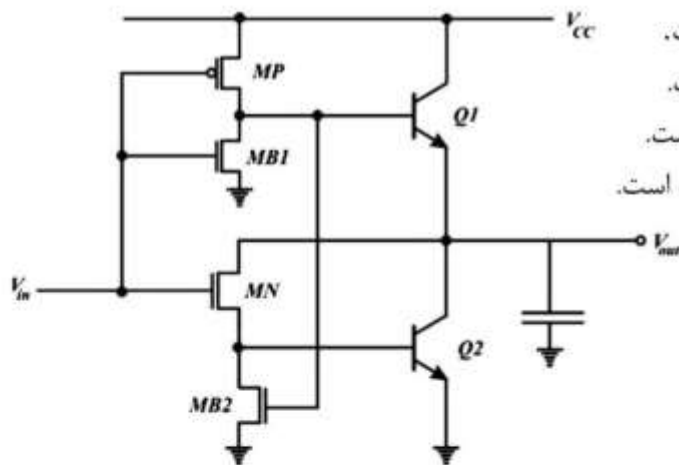
۴ مدار (۴)

۳ مدار (۳)

۲ مدار (۲)

۱ مدار (۱)

۹۰- کدام عبارت در مورد مدار زیر درست است؟



(۱) این مدار یک وارونگر با توان مصرفی پایین است.

(۲) این مدار یک وارونگر با توان جریان‌دهی بالاست.

(۳) این مدار یک وارونگر با ویژگی‌اشمیت‌تریگر است.

(۴) این مدار یک وارونگر با حاشیه‌نویز بسیار خوب است.

۹۱- در معکوس‌کننده خروجی یک گیت دومینو، نسبت عرض ترانزیستور PMOS به عرض ترانزیستور NMOS

برای بهینه‌شدن سرعت و برای بهینه‌شدن توان مصرفی به ترتیب (از راست به چپ) باید مطابق با کدام مورد باشد؟ (طول ترانزیستورها مساوی با اندازه‌حداقل است).

(۱) $3/1 - 3/1$

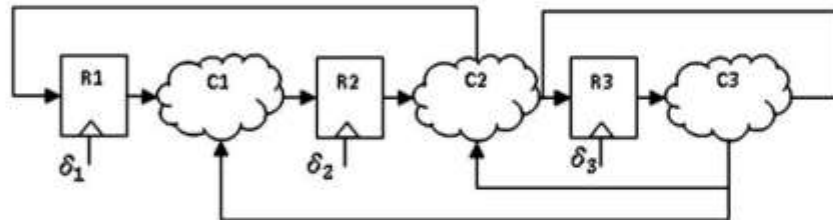
(۲) $1.4/1 - 3/1$

(۳) $3/1 - 1.4/1$

(۴) $1.4/1 - 1.4/1$

۹۲- در مدار ترتیبی زیر R1، R2 و R3 فلیپ‌فلاپ‌های حساس به لبه هستند. C1، C2 و C3 بلوک‌های ترکیبی می‌باشند. تاخیرهای کمینه و بیشینه بلوک‌ها در جدول نمایش داده شده‌اند. δ ها در ورودی کلاک فلیپ‌فلاپ‌ها نشان‌دهنده انحراف زمانی مطلق بین مبدا کلاک و کلاک فلیپ‌فلاپ مربوطه است. کدام مورد نشان‌دهنده یکی از محدودیت‌های لازم برای جلوگیری از race condition است؟ (از تاخیر فلیپ‌فلاپ‌ها صرف‌نظر کنید).

کمینه تاخیر	بیشینه تاخیر	
۳	۱۰	C1
۲	۸	C2
۱	۵	C3



$$\begin{aligned} \delta_2 - \delta_1 &> 3 \quad (1) \\ \delta_3 - \delta_2 &< -4 \quad (2) \\ \delta_3 - \delta_1 &> -3 \quad (3) \end{aligned}$$

۹۳- در تراشه‌ای یک میلیون گیت شبه NMOS و ده میلیون گیت CMOS وجود دارد. در این تراشه، همه ترانزیستورهای بالابر در گیت‌های شبه NMOS از نوع PMOS هستند و مشخصات آنها به صورت زیر داده شده است. اگر به طور آماری در ۴۰٪ اوقات شبکه‌های تحریک گیت‌های تراشه خاموش باشد، حداکثر توان استاتیکی ناشی از جریان اتصال کوتاه کل تراشه چند وات است؟

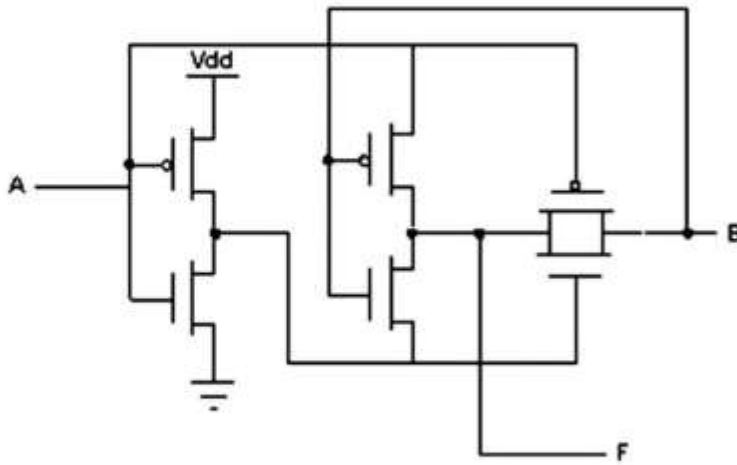
$$V_{DD} = 3.3 \text{ V}, \quad \beta = 10 \mu\text{A}/\text{V}^2, \quad V_T = -0.9 \text{ V}$$

- (۱) ۵۷
- (۲) ۴۵
- (۳) ۳۷
- (۴) ۲۶

۹۴- اندازه خازن ذخیره یک حافظه DRAM یک ترانزیستوری برابر ۷۰ فمتوفاراد است. ولتاژ تغذیه برابر ۲.۳ V و ولتاژ آستانه ترانزیستور برابر ۰.۳ V است. کمینه مقدار مجاز در حالت خروجی یک، برابر ۱.۸ V است. هنگامی که ترانزیستور دسترسی خاموش است، جریان نشتی معادل حدود ۵ nA خازن را تخلیه می‌کند. بیشینه زمان تجدید (refresh) این حافظه چند میکروثانیه است؟

- (۱) ۲/۵
- (۲) ۲/۸
- (۳) ۷/۰
- (۴) ۳/۲

۹۵- ساختار ترانزیستوری شکل، کدام تابع را پیاده سازی می‌کند؟ (A و B ورودی و F خروجی مدار هستند).



- (۱) $\bar{A}B$
(۲) $\overline{A+B}$
(۳) $A \oplus B$

(۴) بستگی به اندازه ترانزیستورها تابع‌های متفاوتی ایجاد می‌کند.

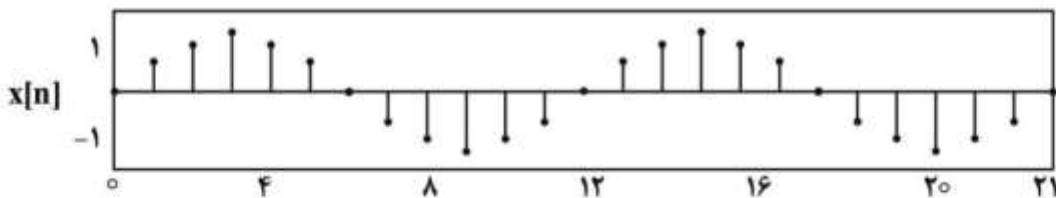
۹۶- رابطه ورودی $x(t)$ و خروجی $y(t)$ یک سیستم به صورت $\frac{dy}{dt} + 2y(t) = \frac{d^2x}{dt^2} + 3\frac{dx}{dt} + x(t)$ و $y(-1) = 1$

می‌باشد. کدام مورد در خصوص این سیستم درست است؟

- (۱) علی - تغییرپذیر با زمان
(۲) علی - تغییرناپذیر با زمان
(۳) غیرعلی - تغییرپذیر با زمان
(۴) غیرعلی - تغییرناپذیر با زمان

۹۷- سیگنال پیوسته در زمان $x(t) = \sin(6\pi t)$ داده شده است. با نمونه‌برداری یکنواخت از این سیگنال با زمان

نمونه‌برداری T_s ، سیگنال گسسته در زمان $x[n] = x(nT_s)$ به صورت زیر تولید می‌شود؟ بر این اساس، مقدار T_s کدام است؟



- (۱) $\frac{1}{36}$
(۲) $\frac{1}{24}$
(۳) $\frac{1}{12}$
(۴) $\frac{1}{6}$

۹۸- رابطه ورودی - خروجی برای یک سیستم زمان پیوسته به صورت $y(t) = \int_{-\infty}^{+\infty} e^{-2(t-\tau)} x(\tau-1) d\tau$ است. کدام

مورد به ترتیب درباره علی بودن و پایداری این سیستم درست است؟

- (۱) علی - پایدار
(۲) علی - ناپایدار
(۳) غیرعلی - پایدار
(۴) غیرعلی - ناپایدار

۹۹- کدام مورد، ضرایب بسط سری فوریه سیگنال زمان گسسته $x[n] = 2\sqrt{2} \sin(7\pi n + \frac{\pi}{4})$ متناوب با پریود مربوطه است؟

(۱) $a_1 = 1 - j, a_0 = 0$

(۲) $a_1 = 0, a_0 = 1 - j$

(۳) $a_1 = 1 + j, a_0 = 1 - j$

(۴) $a_1 = 1 - j, a_0 = 1 + j$

۱۰۰- مقدار انتگرال $\int_0^{2\pi} \frac{\sin^2(\frac{5}{2}\omega)}{\sin^2(\frac{\omega}{2})} d\omega$ کدام است؟

(۱) ۰

(۲) ۵

(۳) 5π

(۴) 10π

دروس تخصصی نرم افزار، شبکه های کامپیوتری، رایانش امن (کامپایلر، پایگاه داده ها، هوش مصنوعی):

۱۰۱- گرامر زیر را در نظر بگیرید که در آن S علامت شروع گرامر و ε رشته تهی است. جدول پارس LALR(1) این گرامر چند وضعیت دارد؟ آیا این گرامر SLR(1) است؟

$S' \rightarrow S$

$S \rightarrow (S)S|\epsilon$

(۲) وضعیت ۶ - بله

(۱) وضعیت ۵ - خیر

(۴) وضعیت ۸ - خیر

(۳) وضعیت ۷ - بله

۱۰۲- گرامر زیر را در نظر بگیرید. اگر به ترتیب عملیات فاکتورگیری از چپ (Left Factoring) و حذف چپ گردی صریح (Immediate Left Recursion Elimination) روی این گرامر انجام شود، گرامر حاصل دارای چند قاعده است؟ آیا گرامر حاصل برای استفاده در روش تجزیه LL(1) مناسب می باشد؟

$A \rightarrow Am|aA|An|aaB$

$B \rightarrow b$

(۲) قاعده ۷ - خیر

(۱) قاعده ۶ - بله

(۴) قاعده ۹ - خیر

(۳) قاعده ۸ - بله

۱۰۳- قطعه کد زیر از دستورالعمل‌های سه آدرس (Three Address Codes) را در نظر بگیرید. این قطعه کد در صورت پرداخت شدن (Optimization) شامل چند دستور سه آدرس و حداقل چند حافظه موقتی (Temporaries) دارد؟ (حافظه‌های موقتی به صورت T_i نشان داده شده‌اند.)

- 1) $T1 := a + b$
- 2) $T2 := T1 - c$
- 3) $x := T2$
- 4) If $x > 0$ goto 9
- 5) $T3 := x + 1$
- 6) $x := T3$
- 7) $T4 := a + b$
- 8) goto 4
- 9) $m := T4$

- (۱) شش دستور و یک حافظه موقت
(۲) پنج دستور و یک حافظه موقت
(۳) شش دستور و دو حافظه موقت
(۴) پنج دستور و دو حافظه موقت

۱۰۴- کدام مورد در خصوص مقایسه روش تجزیه $LL(1)$ و روشهای تجزیه $LR(1)$ نادرست است؟

- (۱) فقط بعضی از گرامرهای نوع $LL(1)$ از نوع $SLR(1)$ هستند.
- (۲) فقط بعضی از گرامرهای $LALR(1)$ از نوع $LL(1)$ هستند.
- (۳) همه گرامرهای $LL(1)$ از نوع $LALR(1)$ هستند.
- (۴) همه گرامرهای $LL(1)$ از نوع $LR(1)$ هستند.

۱۰۵- کدام مورد در خصوص مقایسه دو روش **Display** و **Access Link** برای دسترسی به متغیرهای سراسری درست است؟

- (۱) در روش D ، نمی‌توان رویه‌های بازگشتی داشت.
- (۲) در روش D ، کد تولید شده سرعت کمتری خواهد داشت.
- (۳) در روش AL ، کد تولید شده حجم بیشتری خواهد داشت.
- (۴) در روش AL ، اندازه رکورد فعالیت (Activation Record) رویه‌ها بزرگتر خواهد شد.

۱۰۶- گرامر زیر را در نظر بگیرید. اگر بخواهیم از روش تقدم عملگر (Operator Precedence) برای تجزیه جملات زبان این گرامر استفاده کنیم، کدام یک از گزینه‌های زیر در مورد مقایسه دو جدول پارس روابط تقدم

(Precedence Relations) و جدول توابع تقدم (Precedence Functions)، درست است؟

- $A \rightarrow Bbab \mid aa$
 $B \rightarrow b$

- (۱) در صورت استفاده از جدول توابع این گرامر، خطاها دیرتر کشف خواهد شد.
- (۲) اندازه جدول روابط تقدم این گرامر بزرگتر از جدول توابع آن است.
- (۳) این گرامر قابل استفاده در روش تقدم عملگر نیست.
- (۴) با این گرامر از جدول توابع تقدم نمی‌توان استفاده کرد.

۱۰۷- گرامر زیر را برای توصیف حلقه‌های تکرار **for** در نظر بگیرید. برای تولید کد میانی این گونه حلقه‌های تکرار در کدام یک از دو روش تجزیه $LL(1)$ و $SLR(1)$ ، به اضافه شدن حداقل چند قاعده دیگر نیاز است؟

- $S \rightarrow \text{for id} := E \text{ to } E \text{ by } E \text{ do } S \text{ end}$
 $S \rightarrow \text{other}$
 $E \rightarrow \text{num}$

- (۱) فقط در روش $SLR(1)$
(۲) فقط در روش $LL(1)$
(۳) در هر دو روش
(۴) در هیچ کدام

- ۱۰۸- با توجه به گزاره‌های زیر کدام مورد درست است؟
- (a) مدل مفهومی پایگاه داده، استقلال داده‌ای را افزایش می‌دهد.
- (b) اگر k_1 و k_2 ابرکلیدهای رابطه R باشند، آنگاه $k_1 \cap k_2$ یک ابرکلید R است.
- (c) برای اتصال به پایگاه داده، در Connection String نحوه احراز هویت کاربر مشخص می‌شود.
- (d) در رابطه R با تعداد خصیصه بزرگتر از یک، تعداد ابرکلیدها همواره از تعداد کلیدهای کاندید بیشتر است.
- (۱) a درست ، b درست
(۲) a درست ، c درست
(۳) d درست ، b نادرست
(۴) b نادرست ، c نادرست
- ۱۰۹- پس از اجرای دستورات زیر (به ترتیب مشخص شده) تعداد سطرهای جدول Person کدام است؟

دستور اول	<pre>create table person(personID int, managerID int, level int, primary key (personID), foreign key (managerID) references person(personID) on delete cascade on update restrict)</pre>
دستور دوم	<pre>insert into person values (۱۴, null, ۱), (۱۲, ۱۴, ۲), (۱۱, ۱۲, ۳), (۱۳, ۱۲, ۳), (۱۵, ۱۲, ۳), (۱۰, ۱۴, ۲), (۱۷, ۱۰, ۳), (۱۸, ۱۰, ۳)</pre>
دستور سوم	Delete from preson where level = ۲

- (۱) ۶ (۲) ۸ (۳) ۱ (۴) ۰

- ۱۱۰- با توجه به رابطه $R(A, B, C, D, E, F)$ و مجموعه وابستگی‌های تابعی زیر، رابطه R چند کلید کاندید دارد؟
 $F = \{A \rightarrow BCD, BC \rightarrow DE, B \rightarrow D, D \rightarrow A\}$

- (۱) ۴
(۲) ۳
(۳) ۲
(۴) ۱

۱۱۱- جدول T را در نظر بگیرید که روی ستون a، Clustered Index شده است. کدام مورد درست است؟

- (۱) اعمال سیاست شاخص گذاری، تاثیری بر حجم اطلاعات ذخیره شده بر روی دیسک ندارد.
- (۲) با اعمال سیاست شاخص گذاری، پاسخ به Range Query های مرتبط به a، با سرعت بیشتری انجام می شود.
- (۳) با اعمال سیاست شاخص گذاری، پاسخ به Equality Query های مرتبط به a، با سرعت کمتری انجام می شود.
- (۴) همه موارد درست هستند.

۱۱۲- با توجه به گزاره های زیر، کدام مورد درست است؟

(a) اگر رابطه R، دارای $n = 2k$ خصیصه باشد، آنگاه تعداد کلیدهای کاندید آن حداقل یک و حداکثر $\binom{n}{k}$ است.

(b) اگر رابطه R دارای n خصیصه باشد، آنگاه تعداد ابرکلیدهای این رابطه حداکثر $\binom{n}{0} + \binom{n}{1} + \dots + \binom{n}{n}$ است.

(c) تعداد ابرکلیدهای یک رابطه همواره بیشتر از تعداد کلیدهای کاندید آن رابطه است.

(d) هر صفت مرکب، لزوماً تک مقداری است.

(۱) یک گزاره نادرست است.

(۲) دو گزاره نادرست است.

(۳) سه گزاره نادرست است.

(۴) چهار گزاره نادرست است.

۱۱۳- رابطه های جدول داده شده را در نظر بگیرید. با اجرای دستور زیر حداقل و حداکثر تعداد سطرهای خروجی کدام است؟

`select * from Student left outer join StudentCourse`

نام جدول	تعداد سطرها
Student (Stid, StName, ...)	$K > 0$
Course(Cid, CName, ...)	$N > 0$
StudentCourse(Stid,Cid, grade)	$M > 0$

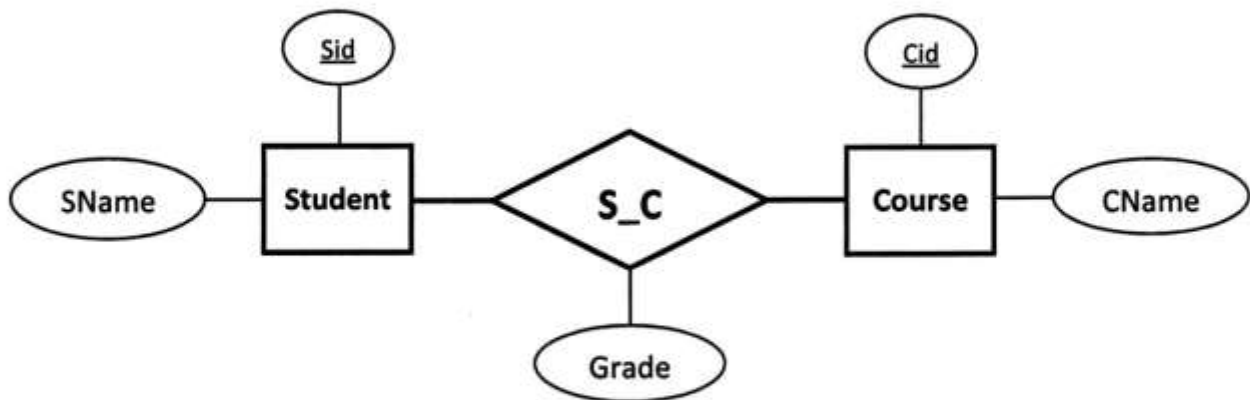
(۱) حداقل K و حداکثر $K + N - 1$

(۲) حداقل ۱ و حداکثر $K + N - 1$

(۳) حداقل N و حداکثر $K + N$

(۴) حداقل K و حداکثر $K + N$

۱۱۴- با توجه به نمودار ER داده شده، کدام مورد برای پرس و جو "نام دانشجویانی که معدل آن‌ها از میانگین نمرات همه دروس دانشگاه بیشتر است" نا درست است؟



- 1) select SName from Student T1 ,
 (select S_C.Sid from S_C
 group by S_C.Sid having AVG(grade) > (Select AVG(grade) from S_C)) T2
 where T1.Sid = T2.Sid
- 2) select SName from Student T1
 where exists (select '1' from S_C
 where T1.Sid = S_C.Sid
 group by S_C.Sid having AVG(grade) > (Select AVG(grade) from S_C))
- 3) select SName from Student
 where Sid in (select Sid from S_C
 group by Sid having AVG(grade) > (Select AVG(grade) from S_C))
- 4) select SName from Student,S_C
 where student.sid = S_C.sid and AVG(grade) > (Select AVG(grade) from S_C)

۱۱۵- در مورد الگوریتم برنامه‌ریزی گراف پلن (Graphplan)، کدام عبارت درست است؟

- ۱) اگر در سطح k ام از گراف برنامه‌ریزی، دو گزاره با یکدیگر ناسازگاری متقابل (mutual exclusion) داشته باشند، نمی‌توان با انجام k کنش از وضعیت اولیه به وضعیتی رسید که شامل هر دو گزاره باشد.
- ۲) در هنگام ساخت گراف برنامه‌ریزی (Planning Graph)، در صورتی که یک سطح دقیقاً مشابه سطح قبلی باشد، ولی هنوز برنامه‌ای به دست نیامده باشد، الگوریتم متوقف می‌شود.
- ۳) در برنامه یافت شده توسط این الگوریتم، تمام کنش‌های انتخاب شده از هر سطح، لزوماً باید قبل از تمام کنش‌های انتخاب شده از سطح بعد قرار گیرند تا برنامه حاصل معتبر باشد.
- ۴) برنامه یافت شده توسط این الگوریتم از نظر تعداد کنش‌ها بهینه است.

۱۱۶- یک درخت جستجوی minimax را در نظر بگیرید که دارای عمق ۳ باشد و هر گره و هر گره در آن دقیقاً ۴ فرزند داشته باشد (درخت ۶۴ گره برگ دارد). اگر از روش هرس آلفا-بتا در جستجو استفاده کنیم، حداکثر چه تعداد از گره‌های این درخت ممکن است هرس شود؟

(۱) ۴۸

(۲) ۴۵

(۳) ۳۵

(۴) ۳۲

۱۱۷- در خصوص الگوریتم A^* در حالت استفاده از یک تابع ابتکاری سازگار h (consistent) (در صورتی که $g(n)$ هزینه مسیر طی شده تا گره n باشد)، کدام مورد نادرست است؟

(۱) همواره مسیر بهینه به هدف را (در حالت جستجوی گراف) پیدا می‌کند.

(۲) ممکن است گره‌هایی را که مقدار $g(n) + h(n)$ آن‌ها بیشتر از طول مسیر بهینه است، گسترش دهد.

(۳) ممکن است گره‌هایی را که مقدار $g(n)$ آن‌ها بیشتر از طول مسیر بهینه است، تولید کند (یعنی در صف بگذارد).

(۴) ممکن است گره‌هایی را که مقدار $g(n) + h(n)$ آن‌ها بیشتر از طول مسیر بهینه است، تولید کند (یعنی در صف بگذارد).

۱۱۸- پایگاه دانش منسکل از عبارات‌های Horn زیر را در نظر بگیرید. فرض کنید روش زنجیره‌ای جلورو (Forward Chaining) با استفاده از جستجوی سطح اول (Breadth First Search) و روش زنجیره‌ای عقب‌رو (Backward Chaining) با استفاده از جستجوی عمق اول (Depth First Search) پیاده‌سازی شده‌است. در این صورت، کدام جمله نادرست است؟

$P(F(x)) \wedge Q(x) \Rightarrow Q(F(x))$

$P(x) \Rightarrow P(F(x))$

$P(A)$

$Q(A)$

(۱) گزاره $Q(F(F(A)))$ را نتیجه می‌دهد.

(۲) FC قبل از گزاره $Q(F(A))$ ، گزاره $P(F(A))$ را نتیجه می‌دهد.

(۳) BC برای پرسمانی (query) به صورت $Q(F(A))$ ، مقدار درست (True) را برمی‌گرداند.

(۴) BC برای یک پرسمانی (query) به صورت $Q(F(F(A)))$ ، مقدار نادرست (False) را برمی‌گرداند.

۱۱۹- سه عبارت α ، β و γ را در منطق گزاره‌ای (propositional logic) در نظر بگیرید. در صورتی که داشته باشیم $\alpha \models \beta$ و $\alpha \not\models \gamma$ کدام مورد در خصوص ارضاپذیری (satisfiability) و استلزام (entailment) بین عبارات‌ها درست است؟

(۱) عبارت $\beta \vee \gamma$ ممکن است ارضاپذیر (satisfiable) نباشد.

(۲) عبارت $\alpha \Rightarrow \gamma$ ارضاناپذیر (Unsatisfiable) است.

(۳) عبارت α حتماً ارضاپذیر (satisfiable) است.

(۴) $\gamma \not\models (\alpha \Rightarrow \beta)$

۱۲۰- کدام عبارت در مورد خصوصیات محیط (environment)، درست است؟

(۱) یک محیط پویا (dynamic) نمی‌تواند کاملاً مشاهده‌پذیر (fully observable) باشد.

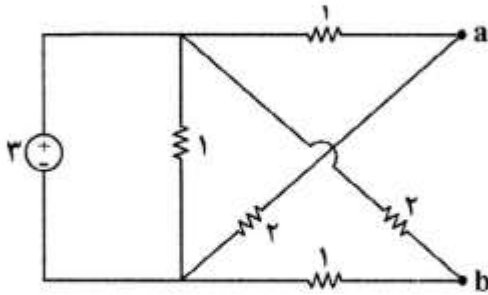
(۲) هر محیط کاملاً مشاهده‌پذیر (fully observable) حتماً قطعی (deterministic) است.

(۳) یک محیط ناشناخته (unknown) ممکن است کاملاً مشاهده‌پذیر (fully observable) باشد.

(۴) در یک محیط episodic، هرکنش (action) ممکن است به کنش‌های انجام شده در مرحله قبل وابسته باشد.

دروس تخصصی هوش مصنوعی و رباتیکز (مدارهای الکتریکی، هوش مصنوعی، سیگنال‌ها و سیستم‌ها):

۱۲۱- مدار معادل نورتن مدار شکل زیر از دو سر a و b. کدام است؟



$$R_N = \frac{4}{3}, I_N = 1 \quad (1)$$

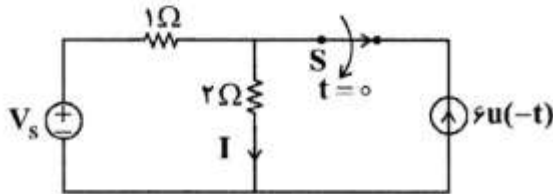
$$R_N = \frac{7}{3}, I_N = 1 \quad (2)$$

$$R_N = \frac{4}{3}, I_N = \frac{3}{4} \quad (3)$$

$$R_N = \frac{7}{3}, I_N = \frac{3}{4} \quad (4)$$

۱۲۲- در مدار شکل زیر هنگامی که کلید s بسته است، $I = 1A$ است. وقتی در $t = 0$ کلید s را باز می‌کنیم، مقدار I

چند آمپر می‌شود؟



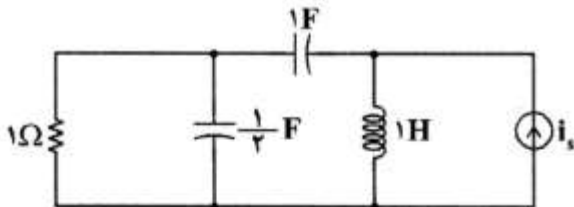
$$-2 \quad (1)$$

$$-1 \quad (2)$$

$$1 \quad (3)$$

$$2 \quad (4)$$

۱۲۳- توان مختلط تحویلی به مدار در حالت دائمی سینوسی از سوی منبع جریان $i_s(t) = \sin t$ ، کدام است؟



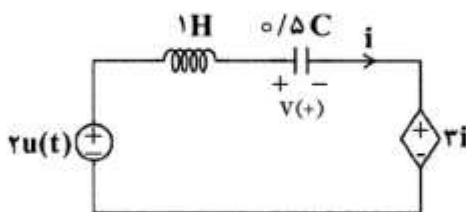
$$\frac{1}{4} + j\frac{3}{2} \quad (1)$$

$$\frac{1}{4} - j\frac{3}{2} \quad (2)$$

$$\frac{1}{2} - j\frac{3}{4} \quad (3)$$

$$\frac{1}{2} + j\frac{3}{4} \quad (4)$$

۱۲۴- در مدار شکل زیر $i(0^-) = 2A$ ، $V(0^-) = 4V$ ، برای $t > 0$ کدام است؟



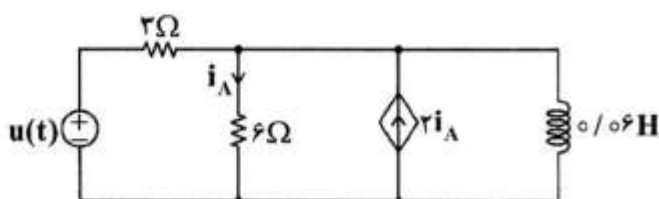
$$+4e^{-2t} + 6e^{-t} + 2 \quad (1)$$

$$-6e^{-2t} + 8e^{-t} + 2 \quad (2)$$

$$6e^{-2t} - 6e^{-t} + 2 \quad (3)$$

$$8e^{-2t} - 6e^{-t} + 2 \quad (4)$$

۱۲۵- ثابت زمانی مدار زیر برای $t > 0$ ، کدام است؟

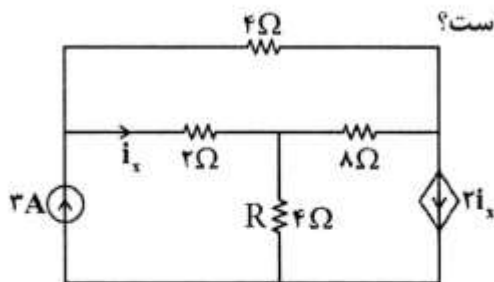


$$\tau = 2 \quad (1)$$

$$\tau = 1 \quad (2)$$

$$\tau = 0.05 \quad (3)$$

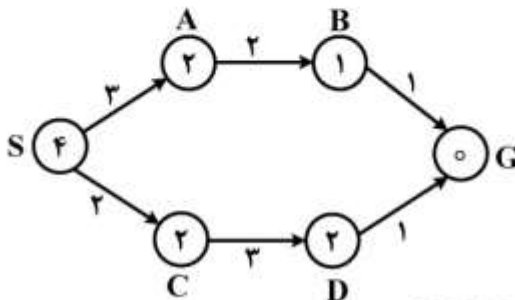
$$\tau = 0.01 \quad (4)$$



۱۲۶- در مدار شکل زیر توان تلف شده در مقاومت $R = 4\Omega$ چند وات است؟

- (۱) ۱/۴۴
(۲) ۲/۴
(۳) ۷/۲
(۴) ۱۲/۹۶

۱۲۷- در شکل زیر هزینه کنش‌ها روی یال‌ها و مقدار تابع ابتکاری روی گره‌ها نوشته شده است. اگر S گره شروع و G گره هدف باشد، کدام مورد درست است؟ (در شرایط یکسان برای دو گره از ترتیب الفبایی استفاده شود)



(۱) تابع ابتکاری استفاده شده قابل قبول (admissible) است.

(۲) ترتیب گسترش گره‌ها در الگوریتم A^* ، از چپ به راست S, C, A, B, G است.

(۳) ترتیب تولید گره‌ها در الگوریتم A^* ، از چپ به راست S, A, C, B, D, G است.

(۴) ترتیب تولید گره‌ها در الگوریتم UCS، از چپ به راست S, A, C, B, D, G است.

۱۲۸- یک مسئله ارضای محدودیت با چهار متغیر A, B, C, D را در نظر بگیرید که در آن دامنه تمام متغیرها مجموعه

$\{1, 2, 3, 4\}$ است. این مسئله دارای محدودیت‌های $A < B < C < D$ و $C = A + 3$ است. می‌دانیم برای عدد

طبیعی k ، با حذف برخی مقادیر از دامنه متغیرها، ممکن است بتوان یک مسئله ارضای محدودیت را به یک مسئله

strongly k-consistent تبدیل کرد. حال با فرض حذف مقادیر لازم از دامنه متغیرها، کدام مورد درخصوص

مسئله فوق درست است؟

(۱) این مسئله را می‌توان به یک مسئله **strongly 2-consistent** تبدیل کرد، ولی نمی‌توان آن را به یک مسئله

strongly 3-consistent تبدیل کرد.

(۲) این مسئله را می‌توان به یک مسئله **strongly 3-consistent** تبدیل کرد، ولی نمی‌توان آن را به یک مسئله

strongly 4-consistent تبدیل کرد.

(۳) این مسئله را نمی‌توان به یک مسئله **strongly 2-consistent** تبدیل کرد.

(۴) این مسئله را می‌توان به یک مسئله **strongly 4-consistent** تبدیل کرد.

۱۲۹- کدام جمله در مورد مسائل ارضای پذیری (SAT)، درست است؟

(۱) مکانیزم انتشار عبارت واحد (Unit clause propagation) در الگوریتم DPLL برای حل مسائل SAT،

کارکردی مشابه Forward chaining روی عبارت‌های معین (definite clauses) دارد.

(۲) ارضای پذیری (satisfiability) یک عبارت منطقی، معادل معتبر (valid) بودن آن عبارت است.

(۳) برای حل همه‌ی مسائل SAT پیچیدگی زمانی نمایی (بر حسب تعداد نمادها) لازم است.

(۴) مسائل SAT زیرمجموعه‌ای از مسائل CSP نیستند.

۱۳۰- فرض کنید در یک مسئله جستجو، فضای جستجو یک درخت محدود باشد که در آن هزینه هر یال یک عدد گویا

است (هزینه‌ها می‌توانند منفی باشند). کدام عبارت در مورد یافتن مسیر بهینه توسط سه روش **Breadth First Search**

Search، **Depth First Search** و **Uniform Cost Search** درست است؟

(۱) هر سه روش، یافتن مسیر بهینه را برای مسئله گفته شده تضمین می‌کنند.

(۲) فقط دو روش، یافتن مسیر بهینه را برای مسئله گفته شده تضمین می‌کنند.

(۳) فقط یکی از این سه روش، یافتن مسیر بهینه را برای مسئله گفته شده تضمین می‌کند.

(۴) هیچکدام از این سه روش، یافتن مسیر بهینه را برای مسئله گفته شده تضمین نمی‌کنند.

۱۳۱- دو عبارت زیر را در نظر بگیرید. P یک رابطه، f یک تابع، و a یک شیء است. کدام یک از این دو عبارت، یک جمله

همیشه درست (tautology) است؟

$$i) (\forall x \exists y \exists z (P(x, y, z) \vee \neg \exists z \exists u (\neg P(x, z, u)))) \Rightarrow \exists x \exists y P(f(a), x, y)$$

$$ii) \forall x \exists y \exists z ((P(x, y, z) \vee \neg \exists z \exists u (\neg P(x, z, u))) \Rightarrow \exists x \exists y P(f(a), x, y))$$

(۱) فقط عبارت (i) (۲) فقط عبارت (ii) (۳) (i) و (ii) (۴) هیچ کدام

۱۳۲- با توجه به این که هر مدل (Model) برای یک گزاره، عبارت است از یک تفسیر (interpretation) از آن گزاره،

که به آن گزاره ارزش "درست" (true) می‌دهد، عبارت $(((((A \Rightarrow B) \wedge C) \Leftrightarrow D) \vee E) \Leftrightarrow F)$ برای

مجموعه متغیرهای گزاره‌ای $\{A, B, C, D, E, F\}$ چند مدل دارد؟

(۱) ۶۳

(۲) ۳۲

(۳) ۱۶

(۴) ۲

۱۳۳- در صورتی که بخواهیم با استفاده از روش رزولوشن (Resolution) نوع عبارت گزاره‌ای زیر را تعیین کنیم، کدام

مورد در خصوص نوع این عبارت درست است؟

$$(P \Rightarrow (Q \Rightarrow R)) \Rightarrow ((P \Rightarrow Q) \Rightarrow (P \Rightarrow R))$$

(۲) ارضاپذیر (Satisfiable) است.

(۱) غیرقابل ارضاء (Unsatisfiable) است.

(۴) معتبر (Valid) است.

(۳) نامعتبر (Invalid) است.

۱۳۴- به یک سیستم LTI زمان گسسته با پاسخ ضربه $h[n] = u[n]$ ورودی $x[n] = 2^n u[-n]$ اعمال می‌شود. کدام

مورد خروجی سیستم است؟

$$(۲) 2^{n+1} u[-n] + u[n]$$

$$(۱) 2^n u[-n] + u[n]$$

$$(۴) 2^{n+1} u[-n-1] + 2u[n]$$

$$(۳) 2^n u[-n-1] + 2u[n]$$

۱۳۵- کدام مورد در خصوص سیستم S با رابطه ورودی - خروجی $y(t) = \begin{cases} 0 & t < 0 \\ x(t^2) + x(t-2) & t \geq 0 \end{cases}$ درست است؟

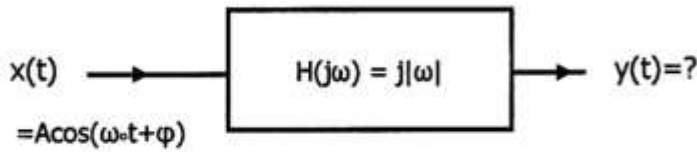
(۲) علی - غیرخطی - تغییرپذیر با زمان

(۱) علی - خطی - تغییرناپذیر با زمان

(۴) غیرعلی - خطی - تغییرناپذیر با زمان

(۳) غیرعلی - خطی - تغییرپذیر با زمان

۱۳۶- سیگنال $x(t) = A \cos(\omega_0 t + \phi)$ از یک سیستم LTI با پاسخ فرکانسی $H(j\omega) = j|\omega|$ عبور می‌کند. خروجی سیستم کدام است؟



(۲) $jA\omega_0 \cos(\omega_0 t + \phi)$

(۱) $-A\omega_0 \cos(\omega_0 t + \phi)$

(۴) $jA\omega_0 \sin(\omega_0 t + \phi)$

(۳) $-A\omega_0 \sin(\omega_0 t - \phi)$

۱۳۷- در یک سیستم، پاسخ به ورودی $x[n] = (-1)^n$ برابر $y[n] = (-2)^n$ می‌باشد. کدام مورد در خصوص این سیستم درست است؟

(۱) پایدار نیست و LTI نیز نمی‌باشد.

(۲) LTI نیست اما می‌تواند پایدار باشد.

(۳) پایدار نیست اما می‌تواند LTI باشد.

(۴) با توجه به ورودی و خروجی داده شد نمی‌توان در مورد پایداری یا LTI بودن قضاوت کرد.

۱۳۸- ورودی یک سیستم حقیقی و LTI سیگنال $\sin(2\pi t + \frac{\pi}{4}) + \cos(4\pi t - \frac{\pi}{4})$ و خروجی سیستم به ازای این ورودی برابر $2 \sin(2\pi t) + 2 \cos(4\pi t)$ می‌باشد. کدام رابطه در خصوص $H(j2\pi f)$ (پاسخ فرکانسی سیستم) درست است؟

(۱) $|H(j4\pi)| e^{j\angle H(j4\pi)} = \sqrt{2}j$

(۲) $|H(j2\pi)| e^{j\angle H(j2\pi)} = \sqrt{2}j$

(۳) $|H(j2\pi)| e^{j\angle H(j2\pi)} = \sqrt{2}(1-j)$

(۴) $|H(j4\pi)| e^{j\angle H(j4\pi)} = \sqrt{2}(1-j)$

۱۳۹- در خصوص پاسخ فرکانسی یک سیستم LTI علی و حقیقی داریم: $\text{Real}\{H(j2\pi f)\} = \frac{1}{1 + 4\pi^2 f^2}$

این صورت کدام مورد در خصوص پاسخ ضربه این سیستم درست است؟ (ln نشانگر لگاریتم طبیعی می‌باشد.)

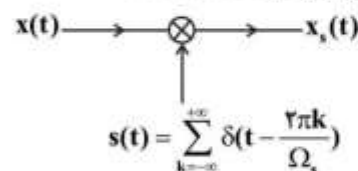
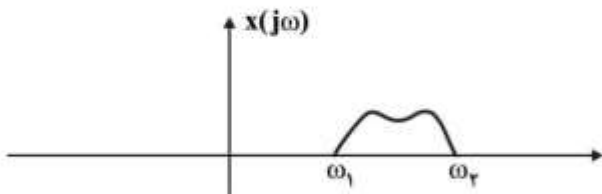
(۲) $\ln h(2) - \ln h(4) = 1$

(۱) $\ln h(2) + \ln h(4) = 1$

(۴) $\ln h(2) - \ln h(4) = 2$

(۳) $\ln h(2) + \ln h(4) = 2$

۱۴۰- فرض کنید طیف سیگنال $x(t)$ مطابق شکل باشد. کم‌ترین نرخ نمونه‌برداری یکنواخت که بتوان $x(t)$ را از روی نمونه‌ها $x_s(t)$ بازیابی کرد کدام است؟



(۲) $\frac{\omega_2 - \omega_1}{2\pi}$

(۱) $\frac{\omega_2 - \omega_1}{\pi}$

(۴) $\frac{\omega_2 + \omega_1}{\pi}$

(۳) $\frac{\omega_2 + \omega_1}{2\pi}$

