

کد کنترل

247

A



247A

نام:

نام خانوادگی:

محل امضا:

عصر پنجشنبه

۹۶/۲/۷



«اگر دانشگاه اصلاح شود مملکت اصلاح می‌شود.»  
امام خمینی (ره)

جمهوری اسلامی ایران  
وزارت علوم، تحقیقات و فناوری  
سازمان سنجش آموزش کشور

**آزمون ورودی دوره‌های کارشناسی ارشد ناپیوسته داخل - سال ۱۳۹۶**

**مهندسی شیمی - بهداشت، ایمنی و محیط زیست (HSE) - کد ۱۲۹۳**

مدت پاسخگویی: ۱۸۰ دقیقه

تعداد سؤال: ۱۳۵

عنوان مواد امتحانی، تعداد و شماره سؤالات

ردیف	عنوان مواد امتحانی	تعداد سؤال	از شماره	تا شماره
۱	زبان عمومی و تخصصی (انگلیسی)	۳۰	۱	۳۰
۲	ریاضیات (ریاضی مهندسی، معادلات دیفرانسیل)	۱۵	۳۱	۴۵
۳	مکانیک سیالات ۱، انتقال حرارت ۱ و ترمودینامیک ۱	۲۰	۴۶	۶۵
۴	انتقال جرم و عملیات واحد	۲۰	۶۶	۸۵
۵	مجموعه دروس تخصصی ۱ (ایمنی در صنایع نفت و طراحی سیستم‌های ایمنی، بیماری‌های حرفه‌ای و مخاطرات شغلی)	۲۰	۸۶	۱۰۵
۶	مجموعه دروس تخصصی ۲ (آلودگی آب‌وهوا و آلودگی صوتی، مدیریت HSE و مدیریت ریسک، اصول ایمنی و حفاظت محیط‌زیست)	۳۰	۱۰۶	۱۳۵

این آزمون نمره منفی دارد.

استفاده از ماشین حساب مجاز نیست.

حق جاب، تکثیر و انتشار سؤالات به هر روش (الکترونیکی و ...) پس از برگزاری آزمون، برای تمامی اشخاص حقیقی و حقوقی تنها با مجوز این سازمان مجاز می‌باشد و با منتقلین برابر مقررات رفتار می‌شود.

**PART A: Vocabulary**

**Directions:** Choose the word or phrase (1), (2), (3), or (4) that best completes the blank. Then mark the correct choice on your answer sheet.

- 1- By signing these papers, I agree to not ----- any of my company's financial records to anyone outside of my firm.  
1) authorize                      2) articulate                      3) divulge                      4) victimize
- 2- Without an antidote to treat the patient, the poisonous snakebite would prove -----.  
1) vulnerable                      2) fatal                      3) massive                      4) extreme
- 3- Stifling a yawn, Jackie covered her mouth as she listened to one of her mother's ----- stories about her childhood.  
1) interminable                      2) credible                      3) widespread                      4) literal
- 4- After learning the lawyer accepted a bribe, the committee decided to ----- him and suspend his license.  
1) encounter                      2) retaliate                      3) underestimate                      4) rebuke
- 5- The government will ----- any property that has been purchased with money earned through illegal means.  
1) resist                      2) seize                      3) eliminate                      4) avoid
- 6- Now that I have got another offer of employment, which sounds as good as the earlier one, I am in a ----- as to which one to choose.  
1) necessity                      2) comparison                      3) postponement                      4) dilemma
- 7- Since there is a huge ----- between the results of the first and second experiment, the laboratory team will conduct a third test.  
1) discrepancy                      2) autonomy                      3) randomness                      4) opposition
- 8- To get a good grade on the research project, you must ----- your report with provable facts.  
1) inform                      2) outline                      3) substantiate                      4) interfere
- 9- We thought that the power cuts were temporary and would end but we have now realized that this is a ----- problem and will never end.  
1) chaotic                      2) perennial                      3) fragile                      4) memorable
- 10- If a ----- answer can provide the information requested, there is no reason to bore a person with a long response.  
1) boundless                      2) conceptual                      3) concise                      4) logical

**PART B: Cloze Passage**

**Directions:** Read the following passage and decide which choice (1), (2), (3), or (4) best fits each space. Then mark the correct choice on your answer sheet.

It is very easy to lead someone's memory astray. For example, if I witness a traffic accident and (11) ----- whether the car stopped before or after the tree, I am much more likely to "insert" a tree into my memory of the scene, (12) ----- no tree was actually present. This occurrence reflects the fact that when we retrieve a memory, we also re-encode it and during that process it is (13) ----- errors.



Elizabeth Loftus at the University of California, Irvine, and colleagues have shown that this “misinformation effect” can have huge implications for the court room, with experiments (14) ----- that eyewitness testimonies can be adversely influenced by misleading questioning. Fortunately, these findings also suggest ways for police, lawyers and judges to frame the questions (15) ----- they ask in a way that makes reliable answers more likely.

- |     |                                |                 |                                     |                              |
|-----|--------------------------------|-----------------|-------------------------------------|------------------------------|
| 11- | 1) I am later asked            | 2) later asking | 3) to be asked later                | 4) later asked               |
| 12- | 1) even then                   | 2) so even      | 3) as if even                       | 4) even if                   |
| 13- | 1) a possibility implanting    |                 | 2) possible to implant              |                              |
|     |                                |                 | 3) possibly to implant              | 4) possibility of implanting |
| 14- | 1) are repeatedly demonstrated |                 | 2) repeatedly demonstrating         |                              |
|     |                                |                 | 3) that are demonstrated repeatedly | 4) to demonstrate repeatedly |
| 15- | 1) that                        | 2) when         | 3) because                          | 4) even though               |

### **PART C: Reading Comprehension:**

**Directions:** Read the following three passages and answer the questions by choosing the best choice (1), (2), (3), or (4). Then mark the correct choice on your answer sheet.

#### **PASSAGE 1:**

Electricity is part of our daily living. Modern living comfort cannot exist without electricity. The burning of fossil fuels mainly produces electricity. These fuels contain many harmful chemicals that pollute the environment. There are other cleaner sources of energy. The sun is an energy source that we are learning to use. Other sources of clean energy are geothermal energy, hydroelectric energy, and harnessing the wind through windmills.

We use electricity many times every day. Electricity provides us with the power to operate TV's, radios, computers, air conditioners, and many other things. Electricity is generated at power plants. It is generated by burning fossil fuels or by using renewable resources. Coal, oil, and gas are fossil fuels. They are the remains of ancient plants and animals. They contain a lot of chemical energy, which we can burn to release the stored energy. Fossil fuels are nonrenewable resources. That means we will eventually run out of coal, oil, and natural gas.

Fossil fuels pollute the air. The main sources of pollution are power plants, factories, cars, and trucks. Some gasses released from fossil fuels trap the sun's heat. This is causing a greenhouse effect on our planet, which means our planet is getting hotter. Though most of our man made energy comes from fossil fuels, we are gradually using more and more renewable energy sources. These sources include hydroelectric energy, which is energy from water; solar energy, which is energy gotten from sunlight; and wind.

- 16- Which of the following statements is **incorrect**?
- 1) Power plants can be run by both renewable and non-renewable resources.
  - 2) Electricity provides comfort and helps us communicate.
  - 3) We will gradually run out of renewable resources.
  - 4) Electricity is generated by power plants.
- 17- **Non-renewable resources are** -----
- 1) Geothermal energy productive able
  - 2) Sources that once used disappear
  - 3) non-dependable
  - 4) easily substituted
- 18- **What resources produce the most electricity?**
- 1) fossil fuels
  - 2) Batteries
  - 3) Windmills
  - 4) Hydroelectric plants
- 19- **How much are we dependent on electricity?**
- 1) We have an average dependence on electricity.
  - 2) We depend very little upon electricity.
  - 3) We somewhat depend upon electricity.
  - 4) Almost everything depends on electricity.
- 20- **The last paragraph mainly discusses** -----.
- 1) hydroelectricity
  - 2) energy sources
  - 3) air pollution
  - 4) solar energy

**PASSAGE 2:**

Arc welding is the fusion of two pieces of metal by an electric arc between the pieces being joined - the work pieces - and an electrode that is guided along the joint between the pieces. The electrode is either a rod that simply carries current between the tip and the work, or a rod or wire that melts and supplies filler metal to the joint.

The basic arc welding circuit is an alternating current (AC) or direct current (DC) power source connected by a "work" cable to the work piece and by a "hot" cable to an electrode. When the electrode is positioned close to the work piece, an arc is created across the gap between the metal and the hot cable electrode. An ionized column of gas develops to complete the circuit.

**Basic Welding Circuit**

The arc produces a temperature of about 3600°C at the tip and melts part of the metal being welded and part of the electrode. This produces a pool of molten metal that cools and solidifies behind the electrode as it is moved along the joint.

There are two types of electrodes. Consumable electrode tips melt, and molten metal droplets detach and mix into the weld pool. Non-consumable electrodes do not melt. Instead, filler metal is melted into the joint from a separate rod or wire.

The strength of the weld is reduced when metals at high temperatures react with oxygen and nitrogen in the air to form oxides and nitrides. Most arc welding processes minimize contact between the molten metal and the air with a shield of gas, vapour or



slag. Granular flux, for example, adds deoxidizers that create a shield to protect the molten pool, thus improving the weld.

- 21- We understand from the text that the word "fusion" is closest in meaning to -----.
- 1) producing            2) guiding            3) melting            4) welding
- 22- The word "work" as used in the passage refers to -----.
- 1) welding                            2) melting
- 3) guiding                                4) producing
- 23- The underlined "This" in the passage refers to -----.
- 1) the melting of the electrode
- 2) the melting of the metal and the electrode
- 3) the production of a high temperature
- 4) the melting of the metal to be welded
- 24- We understand from the passage that it is necessary for an electrode to ----- in order to be consumed.
- 1) detach                                2) join
- 3) melt                                        4) mix
- 25- We understand from the last paragraph that oxidation of the weld has to be minimized because it -----.
- 1) minimizes the contact between the two metals
- 2) reduces the strength of the weld
- 3) reacts with oxygen and nitrogen
- 4) adds deoxidizers

**PASSAGE 3:**

**Cathodic protection (CP)** is a technique used to control the corrosion of a metal surface by making it the cathode of an electrochemical cell. The simplest method to apply CP is by connecting the metal to be protected with another more easily corroded "sacrificial metal" to act as the anode of the electrochemical cell. Cathodic protection systems are used to protect a wide range of metallic structures in various environments. Common applications are; steel water or fuel pipelines and storage tanks; steel pier piles; ships and boats; offshore oil platforms and onshore oil well casings and metal reinforcement bars in concrete buildings and Galvanic anodes are designed and selected to have a more "active" voltage (more negative electrochemical potential) than the metal of the structure (typically steel). For effective CP, the potential of the steel surface is polarized (pushed) more negative until the surface has a uniform potential. At that stage, the driving force for the corrosion reaction is removed. The galvanic anode continues to corrode, consuming the anode material until eventually it must be replaced. The polarization is caused by the electron flow from the anode to the cathode. The driving force for the CP current is the difference in electrochemical potential between the anode and the cathode.

- 26- We understand from the text that "cathodic protection" is based on -----.
- 1) electro analysis                            2) electro plating
- 3) galvanizing                                4) heat treatment

- 27- In the passage, the "sacrificial metal" is called so because it -----.
- 1) changes into ions to cover the cathode      2) is protected by the cathode  
3) is sacrificed      4) is corroded
- 28- We understand from the passage that water pipelines have to be protected against humidity because -----.
- 1) humidity is the main source of corrosion  
2) pipes are made of corrosion – free alloys  
3) they may be laid underground  
4) they may have leakage
- 29- "The driving force" mentioned in the passage refers to -----.
- 1) polarization of ions      2) ionization of metals  
3) the electron flow      4) consumption of electrons
- 30- We understand from the passage that "steel" cannot be used as the anode because it -----.
- 1) does not polarize      2) is not a galvanized metal  
3) has a low repulsion      4) cannot be ionized

ریاضیات (ریاضی مهندسی، معادلات دیفرانسیل):

۳۱- تابع  $f$  در بازه  $-L < x < L$  تعریف شده و دارای سری فوریه با ضرایب  $a_n = \frac{1}{3^n}$ ,  $b_n = \frac{1}{3^n}$  ( $n = 0, 1, 2, \dots$ )

می باشد. حاصل  $\int_{-L}^L f^2(x) dx$  کدام است؟

(۱)  $\frac{27}{71}L$

(۲)  $\frac{23}{24}L$

(۳)  $L$

(۴)  $\frac{35}{24}L$

۳۲- تبدیل فوریه تابع  $f(x) = \sqrt{x}e^{-x^2}$  در کدام معادله دیفرانسیل صدق می کند؟

(تبدیل فوریه تابع  $f(x)$   $\hat{f}(w) = \frac{1}{\sqrt{2}} e^{-\frac{w^2}{4}}$ )

(۱)  $\frac{d\hat{f}}{dw} - \frac{w}{2}\hat{f}(w) = 0$

(۲)  $\frac{d\hat{f}}{dw} + \frac{w}{2}\hat{f}(w) = 0$

(۳)  $\frac{d^2\hat{f}}{dw^2} + (\frac{1}{2} - \frac{w^2}{4})\hat{f}(w) = 0$

(۴) موارد ۲ و ۳

۳۳- کدام یک از معادلات با مشتق جزئی  $(u(x, y) = F(x)G(y))$ ، با روش ضربی تفکیک پذیر است؟

$$e^{x+2y} u_{xx} + xe^{2y} u_x + y^2 u_{yy} = 0 \quad (1)$$

$$e^x u_{xy} + e^y u_y + xe^x = 0 \quad (2)$$

$$u_{xx} + 4u_{xy} - u_{yy} = 0 \quad (3)$$

$$u_{xy} + u_x + x + y = 0 \quad (4)$$

۳۴- می‌دانیم جواب عمومی یک معادله دیفرانسیل با مشتقات جزئی به صورت  $u(x, y) = f(2x + 5y) + g(2x - 5y)$  است.  $f$  و  $g$  دو تابع دلخواه مشتق پذیرند) با فرض  $u(0, y) = u(\pi, y) = 0$  و  $u(x, 0) = \sin 2x$

$$\frac{\partial u}{\partial y}(x, 0) = 0 \quad \text{؟ جواب کدام است؟}$$

$$u(x, y) = 2 \cos 2x \sin 5y \quad (1)$$

$$u(x, y) = 2 \sin 2x \cos 5y \quad (2)$$

$$u(x, y) = \cos 2x \sin 5y \quad (3)$$

$$u(x, y) = \sin 2x \cos 5y \quad (4)$$

۳۵- جواب مسئله با شرایط مرزی داده شده، کدام است؟

$$u_{xx} + u_{yy} = 0 \quad 0 \leq x \leq \pi, 0 \leq y \leq \ln 2$$

$$u(0, y) = u(\pi, y) = 0$$

$$u_y(x, 0) = 0$$

$$u_y(x, \ln 2) = 2 \sin 2x$$

$$u(x, y) = \frac{\lambda}{15} \sin 2x \sinh 2y \quad (1)$$

$$u(x, y) = \frac{15}{\lambda} \sin 2x \cosh 2y \quad (2)$$

$$u(x, y) = \frac{\lambda}{15} \sin 2x \cosh 2y \quad (3)$$

$$u(x, y) = \frac{15}{\lambda} \sin 2x \sinh 2y \quad (4)$$

۳۶- اگر قسمت حقیقی (Real Part) مشتق تابع تحلیلی  $f(z)$  برابر با  $3x^2 - 3y^2 + 2e^{2x} \cos 2y$  باشد، آنگاه  $f(z)$  کدام است؟

$$f(z) = 2z^2 + e^{2z} + (c_1 + ic_2) \quad (1)$$

$$f(z) = z^2 + e^{2z} + (c_1 + ic_2) \quad (2)$$

$$f(z) = z^2 - e^{2z} + (c_1 + ic_2) \quad (3)$$

$$f(z) = 2z^2 - e^{2z} + (c_1 + ic_2) \quad (4)$$

۳۷- ضریب  $z^2$  در بسط مک لورن  $f(z) = \exp(\sin z)$ ، کدام است؟

(۱)  $-\frac{2}{3!}$

(۲)  $\frac{2}{3!}$

(۳)  $\frac{1}{3!}$

(۴) ۰

۳۸- مقدار انتگرال  $\int_{|z|=2} \frac{|z|z}{z^2+1} dz$  کدام است؟

(۱)  $-4\pi i$

(۲)  $-2\pi i$

(۳)  $2\pi i$

(۴)  $4\pi i$

۳۹- جواب معادله دیفرانسیل زیر با شرایط  $y(0) = 1$ ، کدام است؟

$$\sin x + \frac{2y \cos x}{1+y^2} y' = 0$$

(۱)  $(1+y^2) \sec x - 2 = 0$

(۲)  $\cos x - 2 - 2y^2 = 0$

(۳)  $2 - \cos x(1+y^2) = 0$

(۴)  $1+y^2 - 2 \sin x = 0$

۴۰- یک عامل انتگرال ساز برای معادله دیفرانسیل زیر، کدام است؟

$$(\delta y^2 \cot x + \sin 2x) dx - 4y dy = 0$$

(۱)  $\sin^2 x$

(۲)  $\sin^{-2} x$

(۳)  $3 \sin x$

(۴)  $-3 \sin x$

۴۱- با تغییر متغیر  $y' = p$  معادله دیفرانسیل  $y'' - (y')^2 \tan y = (y')^3 \cos y$  دارای جوابی به شکل

$$\frac{1}{p} = -y \cos y + c \cos y$$

برای  $p$  بر حسب  $y$  دارد. با فرض  $y(\pi) = \pi$  و  $y'(\pi) = \frac{1}{\pi}$ ، جواب معادله اول کدام

است؟

(۱)  $y \sin y - \cos y - x = \pi - 1$

(۲)  $y \sin y + \cos y - x = \pi - 1$

(۳)  $y \sin y + \cos y + x = \pi - 1$

(۴)  $y \sin y - \cos y + x = \pi - 1$



۴۲- اگر  $y_1 = e^x$  و  $y_2 = (1+x)$  جواب‌های مستقل خطی معادله  $y'' + p(x)y' + q(x)y = 0$  باشند، آنگاه  $p(x)$  و  $q(x)$ ، کدام است؟

(۱)  $q(x) = x$  ,  $p(x) = -(x+1)$

(۲)  $q(x) = -(x+1)$  ,  $p(x) = x$

(۳)  $q(x) = -\frac{x+1}{x}$  ,  $p(x) = \frac{1}{x}$

(۴)  $q(x) = \frac{1}{x}$  ,  $p(x) = -\frac{x+1}{x}$

۴۳- اگر  $\int_0^\pi \cos(x \sin \theta) d\theta = J_0(x)$  باشد، در آن صورت  $\int_0^\pi \sin(x \sin \theta) \sin \theta d\theta$ ، کدام است؟  $J_k(x)$  تابع بسل از مرتبه  $k$  است)

(۱)  $-\frac{1}{x} J_1(x)$

(۲)  $-J_1(x)$

(۳)  $J_1(x)$

(۴)  $\frac{1}{x} J_1(x)$

۴۴- جواب معادله انتگرالی  $y(t) = t + \frac{1}{6} \int_0^t (t-\tau)^2 y(\tau) d\tau$ ، کدام است؟

(۱)  $y(t) = \frac{1}{6}(\sin t + \cosh t)$

(۲)  $y(t) = \frac{1}{6}(\sin t + \sinh t)$

(۳)  $y(t) = \frac{1}{6}(\cos t + \cosh t)$

(۴)  $y(t) = \frac{1}{6}(\cos t + \sinh t)$

۴۵- توابع ویژه مسئله اشتورم لیویل:  $(xy')' + (\frac{P}{x})y = 0$  و  $P \neq 0$  با شرایط  $y(1) = 0$  و  $y'(e) = 0$ ، کدام است؟

(۱)  $y_n = \cos(n \ln x)$

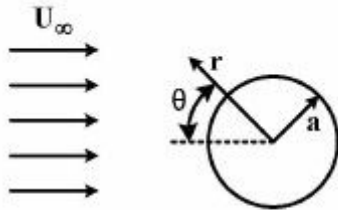
(۲)  $y_n = \sin(\frac{\sqrt{n+1}}{6} \ln x)$

(۳)  $y_n = \cos(n\pi \ln x)$

(۴)  $y_n = \sin(\frac{(\sqrt{n+1})\pi}{6} \ln x)$

مکانیک سیالات ۱، انتقال حرارت ۱ و ترمودینامیک ۱:

۴۶- تابع جریان سیال ایدئال روی یک استوانه به شعاع  $a$ ، کدام است؟



$$\psi = U_{\infty} r \sin \theta \left[ 1 - \frac{a^2}{r^2} \right] \quad (1)$$

$$\psi = \frac{-\mu y \cos \theta}{x^2 + y^2} \quad (2)$$

$$\psi = U_{\infty} r \sin \theta \quad (3)$$

$$\psi = \frac{-\mu y}{x^2 + y^2} \quad (4)$$

۴۷- سیالی با عدد رینولدز  $1000$ ، داخل لوله‌ای در حال حرکت است. ضریب اصطکاک در این حالت  $f$  است. اگر سرعت سیال  $2$  برابر شود و سایر شرایط ثابت بماند، ضریب اصطکاک چند برابر حالت قبل خواهد بود؟

$$\frac{1}{\sqrt{2}} \quad (1)$$

$$\frac{1}{2} \quad (2)$$

$$\sqrt{2} \quad (3)$$

$$2 \quad (4)$$

۴۸- اگر در یک بدیدهٔ پرش هیدرولیکی، عمق‌های جریان مایع به ترتیب  $1/5 \text{ m}$  و  $0/5 \text{ m}$  باشد، اتلاف انرژی ناشی از پرش  $(h_L)$ ، چند متر است؟

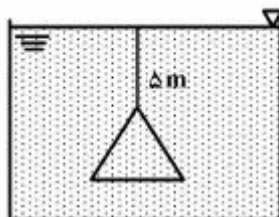
$$\frac{1}{3} \quad (1)$$

$$\frac{2}{3} \quad (2)$$

$$\frac{1}{4} \quad (3)$$

$$\frac{3}{4} \quad (4)$$

۴۹- یک صفحهٔ مثلثی (متساوی‌الاضلاع) به ضلع  $60 \text{ cm}$  در آب قرار گرفته است. نیروی وارده بر یک طرف صفحه



چند نیوتن است؟ دانسیتهٔ آب  $\rho = 1000 \frac{\text{kg}}{\text{m}^3}$  و  $g = 10 \frac{\text{m}}{\text{s}^2}$  فرض شود.

$$53466 \quad (1)$$

$$58461 \quad (2)$$

$$62880 \quad (3)$$

$$65450 \quad (4)$$

۵۰- مخزن استوانه‌ای شکل به قطر ۲ متر و ارتفاع ۶ متر تا ۴ متری با آب پر شده است. اگر این مخزن با سرعت دورانی

$10 \frac{\text{rad}}{\text{s}}$  حول مرکز قاعده دوران کند، چه حجمی در واحد  $\text{m}^3$  از آب مخزن بیرون ریخته خواهد شد؟

(۱)  $1/25$

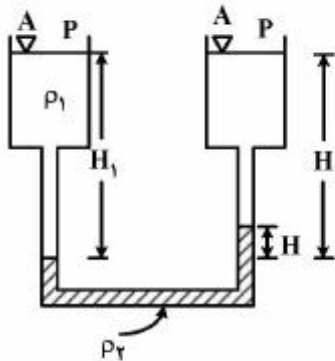
(۲)  $1/52$

(۳)  $1/85$

(۴)  $2/1$

۵۱- مانومتر دو سیاله شکل زیر را در نظر بگیرید. به نظر شما، دو سیال در این مانومتر باید دارای چه شرایطی باشند تا

اختلاف فشارهای بسیار کم بین نقاط A و B قابل اندازه‌گیری باشد؟



(۱)  $\rho_2 \gg \rho_1$

(۲)  $\rho_2 - \rho_1 \gg 1$

(۳)  $\rho_2 - \rho_1 \ll 1$

(۴)  $\rho_1 \gg \rho_2$

۵۲- سیالی با سرعت  $v$  و درجه حرارت  $80^\circ\text{C}$  وارد لوله‌ای به قطر  $5\text{ cm}$  و طول  $10$  متر می‌شود. با نگهداشتن دمای

سطح لوله به صورت ثابت و برابر  $40^\circ\text{C}$ ، دمای خروج سیال  $60^\circ\text{C}$  می‌گردد. برای این حالت عدد استانتون برابر

کدام است؟ ( $\ln(2) = 0.693$ )

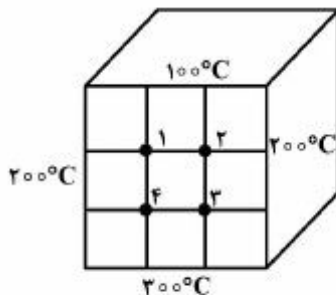
(۱)  $8.1 \times 10^{-3}$

(۲)  $8.1 \times 10^{-4}$

(۳)  $8.5 \times 10^{-3}$

(۴)  $8.7 \times 10^{-4}$

۵۳- با فرض انتقال حرارت دوبعدی، دمای گره ۱ در شکل زیر، چند درجه سانتی‌گراد است؟



(۱)  $150$

(۲)  $175$

(۳)  $180$

(۴)  $190$



۵۴- ضریب انتقال حرارت جابه‌جایی موضعی بین یک صفحه عمودی و محیط اطراف از رابطه  $Nu = 0.17(Gr^* Pr)^{\frac{1}{4}}$

به دست می‌آید  $(Gr^* = \frac{g\beta q_w x^3}{K\nu^2})$ . ارتفاع صفحه  $L$  و به صورت قائم قرار گرفته است. ضریب جابه‌جایی

میانگین  $(\bar{h})$  نسبت به ضریب جابه‌جایی منطقه  $(h_{x=L})$  برابر کدام است؟

$$\bar{h} = \frac{4}{3} h_{x=L} \quad (1)$$

$$\bar{h} = \frac{5}{4} h_{x=L} \quad (2)$$

$$\bar{h} = \frac{4}{5} h_{x=L} \quad (3)$$

$$\bar{h} = h_{x=L} \quad (4)$$

۵۵- قاعده‌های یک مخروط ناقص به ترتیب  $d_1$  و  $d_2$ ، طول آن برابر  $L$  و تغییرات قطر آن نسبت به طول برابر  $D = e^{ax}$

است. در صورتی که دماهای قطر کوچک و بزرگ برابر  $T_1$  و  $T_2$  و سطح جانبی مخروط ایزوله شده باشد، معادله

دیفرانسیلی هدایت برای این مخروط برابر کدام است؟

$$\frac{dT}{dx} + \frac{1}{2a} \frac{d^2T}{dx^2} = 0 \quad (1)$$

$$\frac{1}{2a} \frac{dT}{dx} + e^{2ax} \frac{d^2T}{dx^2} = 0 \quad (2)$$

$$e^{2ax} \frac{dT}{dx} + \frac{1}{2a} \frac{d^2T}{dx^2} = 0 \quad (3)$$

$$\frac{dT}{dx} + 2a \frac{d^2T}{dx^2} = 0 \quad (4)$$

۵۶- یک مکعب مسی و یک گلوله کروی مسی مفروض است. قطر گلوله مسی ۲cm و ضلع مکعب مسی ۲cm است.

هر دو ابتدا هم‌دما و در یک محیط با شرایط مساوی قرار می‌گیرند. در مورد آن‌ها، گزینه درست، کدام است؟

(۱) هر دو هم‌زمان سرد می‌شوند و درجه حرارتشان یکسان باقی می‌ماند.

(۲) بسته به ضریب انتقال حرارت ممکن است یکی زودتر از دیگری سرد شود.

(۳) گلوله مسی سریع‌تر از مکعب مسی سرد می‌شود.

(۴) مکعب مسی سریع‌تر از گلوله مسی سرد می‌شود.

۵۷- در یک گلوله فلزی کروی شکل به قطر ۱۰ cm و  $K = 200 \frac{W}{m^{\circ}C}$  حرارتی به میزان  $1 \frac{kW}{m^3}$  به صورت یکنواخت

تولید می‌شود. این گلوله در معرض سیالی با دمای  $20^{\circ}C$  و ضریب جابه‌جایی  $h = 15 \frac{W}{m^2^{\circ}C}$  قرار گرفته است.

دمای مرکز این گلوله به طور تقریب چند درجه سانتی‌گراد است؟

۳۵ (۱)

۳۰ (۲)

۲۵ (۳)

۲۱ (۴)

۵۸- سیالی به صورت آرام بر روی صفحه تختی جریان دارد. ویسکوزیته این سیال  $\mu_1$  است. اگر سیال دیگری با همان سرعت، دما و سایر خواص فیزیکی به استثنای ویسکوزیته ( $\mu_2 = 4\mu_1$ ) بر روی همین صفحه جریان داشته باشد،

(جریان آرام)، ضریب جابه‌جایی سیال دوم نسبت به سیال اول، کدام است؟ ( $\frac{1}{4^2} = 1/16$ )

$h_2 = 4h_1$  (۱)

$h_2 = 2h_1$  (۲)

$h_2 = 0.5h_1$  (۳)

$h_2 = 0.16h_1$  (۴)

۵۹- برای گاز هیدروژن در دمای نقصانی  $T_r = 0.7$ ، فشار بخار اشباع چند کیلوپاسکال است؟ فشار بحرانی این گاز  $P_c = 1800 \text{ kpa}$  و ضریب بی‌مرکزی  $\omega = 0.2$  و  $\omega = 0.63 = 10^{-1/2}$  می‌باشد.

۱۱۳/۴ (۱)

۱۲۰/۲ (۲)

۱۳۵ (۳)

۱۴۲ (۴)

۶۰- گازی از معادله حالت  $P = \frac{RT}{V-b} - \frac{a}{TV^2}$  پیروی می‌کند، که در آن  $a$  و  $b$  مقادیر ثابت و مثبت هستند. تحت

حجم ثابت، دمای گاز را تغییر می‌دهیم. در مقدار ضریب تراکم‌پذیری گاز چه تغییری حاصل می‌گردد؟

(۱) با افزایش دما کاهش می‌یابد.

(۲) با افزایش دما افزایش می‌یابد.

(۳) نسبت به افزایش دما  $2/5$  برابر می‌شود.

(۴) نسبت به افزایش دما  $1/5$  برابر می‌شود.

۶۱- درون یک مخزن عایق شده، بخار آب داغ (Super heat) در فشار زیاد وجود دارد. شیر مخزن را باز می‌کنیم تا

فشار درون مخزن به فشار بیرون کاهش یابد و سپس شیر را می‌بندیم. در این مورد گزینه صحیح، کدام است؟

(۱) درون مخزن، بخار ممکن است، به صورت داغ، اشباع و یا مخلوط اشباع باشد.

(۲) حجم مخصوص بخار نهایی یا حجم مخصوص بخار اولیه با هم برابر می‌شود.

(۳) درون مخزن، هیچ‌گاه مایع به وجود نمی‌آید.

(۴) درون مخزن مایع اشباع تشکیل می‌شود.

۶۲- یک کیلوگرم گاز ایدئال با  $R = 0.5 \frac{\text{kJ}}{\text{kgK}}$  در مخزن صلبی وجود دارد. مخزن را گرم می‌کنیم و  $20 \text{ kJ}$  حرارت

به مخزن می‌دهیم تا دمای گاز  $5^\circ\text{C}$  افزایش یابد. تغییر آنتالپی گاز چند  $\text{kJ}$  می‌شود؟

۹۰ (۱)

۶۰ (۲)

۵۰ (۳)

۴۵ (۴)

۶۳- فشارهای بخار جامد (s) و مایع (l) یک ماده شیمیایی خالص از رابطه‌های  $\ln P^s = a_1 - \frac{b_1}{T}$  و  $\ln P^l = a_2 - \frac{b_2}{T}$

به دست می‌آید. در این معادلات  $T$  دمای کلین و پارامترهای  $a_1$ ،  $a_2$ ،  $b_1$  و  $b_2$  ثابت می‌باشند. دمای نقطه سه‌گانه ( $T_{tp}$ ) کدام یک از معادلات زیر می‌باشد؟

$$T_{tp} = \frac{b_1 + a_1}{b_2 + a_2} \quad (1)$$

$$T_{tp} = \frac{b_1 b_2}{a_2 a_1} \quad (2)$$

$$T_{tp} = \frac{b_1 + b_2}{a_1 + a_2} \quad (3)$$

$$T_{tp} = \frac{b_2 - b_1}{a_2 - a_1} \quad (4)$$

۶۴- فشار بخار یک مایع خالص به صورت تابعی از دما به صورت  $\ln P = \frac{6000}{T} + 8$  داده شده است، که در آن  $T$

برحسب کلین می‌باشد. اگر در حالت اشباع بتوان از حجم ویژه مایع در برابر حجم ویژه بخار صرف‌نظر کرد و همچنین بخار رفتاری نزدیک به گاز کامل (ایدئال) داشته باشد، رابطه آنتالپی تبخیر این ماده کدام است؟  $R$  ثابت گازها می‌باشد.

$$\Delta h^{\text{vap}} = \frac{-6000R}{P} \exp\left(\frac{6000}{T} + 8\right) \quad (1)$$

$$\Delta h^{\text{vap}} = \frac{6000RT}{P} \exp\left(-\frac{6000}{T} + 8\right) \quad (2)$$

$$\Delta h^{\text{vap}} = \frac{6000RT^2}{P} \exp\left(-\frac{6000}{T} + 8\right) \quad (3)$$

$$\Delta h^{\text{vap}} = \frac{6000}{P} \exp\left(-\frac{6000}{T} + 8\right) \quad (4)$$



۶۵- دمای بویل برای یک گاز به صورت  $\lim_{P \rightarrow 0} \left( \frac{\partial(PV)}{\partial P} \right)_T = 0$  تعریف می‌شود. دمای بویل  $T_B$  برای گازی که از معادله

$$Z = 1 + (b - \frac{a}{r}) \frac{P}{RT^2}$$

$$T_B = \left( \frac{a}{Rb} \right)^{\frac{1}{2}} \quad (1)$$

$$T_B = \left( \frac{a}{Rb} \right)^{\frac{1}{2}} \quad (2)$$

$$T_B = \left( \frac{Rb}{a} \right)^{\frac{1}{2}} \quad (3)$$

$$T_B = \sqrt{\frac{a}{Rb}} \quad (4)$$

انتقال جرم و عملیات واحد:

۶۶- در تئوری رسوخ، ضریب انتقال جرم مؤثر ( $D_e$ ) با زمان ( $t$ ) چگونه است؟

$$\frac{4D_e}{t} \quad (1)$$

$$\left( \frac{D_e}{t} \right)^{\frac{1}{2}} \quad (2)$$

$$\left( \frac{4D_e}{\pi t} \right)^{\frac{1}{2}} \quad (3)$$

$$(D_e t)^{\frac{1}{2}} \quad (4)$$

۶۷- نفوذ نادسن (Knudsen)، وابسته به کدام است؟

(۱) سرعت مولکولی و شعاع حفرات

(۲) شعاع حفرات و مسیر آزاد متوسط

(۳) فقط سرعت مولکولی

(۴) فقط مسیر آزاد متوسط

۶۸- بر طبق آنالوژی چیلتون - کلبرن، در انتقال جرم،  $St \cdot Se^{\frac{1}{2}}$  مساوی با کدام است؟

$$\frac{1}{f} \quad (1)$$

$$2f \quad (2)$$

$$f \quad (3)$$

$$\frac{f}{2} \quad (4)$$

۶۹- در یک برج جذب گاز، دبی گاز بر اساس بدون آمونیاک برابر ۳۰ مول بر ثانیه و نسبت مولی آمونیاک بر گاز بدون آمونیاک در پایین و بالای برج را می‌توان به ترتیب ۱۰٪ و ۲٪ در نظر گرفت. از آب خالص جهت جذب آمونیاک استفاده شده. و منحنی تعادل به صورت  $Y = X$  می‌باشد؛ که در آن  $Y$  مول آمونیاک بر مول گاز بدون آمونیاک و

$X$  مول آمونیاک بر مول آب خالص است. حداقل دبی آب ورودی چند  $\frac{\text{mol}}{\text{s}}$  است؟

$$6 \quad (1)$$

$$24 \quad (2)$$

$$30 \quad (3)$$

$$120 \quad (4)$$

۷۰- چهار سیستم دوتایی زیر وجود دارد:

سیستم اول:  $N_2 - O_2$  در دمای  $273\text{ K}$  و یک اتمسفر

سیستم دوم:  $CO - O_2$  در دمای  $273\text{ K}$  و یک اتمسفر

سیستم سوم:  $CO_2 - O_2$  در دمای  $273\text{ K}$  و یک اتمسفر

سیستم چهارم:  $CO_2 - O_2$  در دمای  $273\text{ K}$  و دو اتمسفر

در مورد نفوذ مولکولی  $D$  در فاز گازی، گزینه صحیح، کدام است؟ اندیس  $D$ ، شماره سیستم را نشان می‌دهد.

$$(1) D_2 > D_1 > D_3 > D_4$$

$$(2) D_1 > D_2 > D_3 > D_4$$

$$(3) D_3 > D_1 > D_2 > D_4$$

$$(4) D_3 > D_4 > D_2 > D_1$$

۷۱- یک گلوله نفتالین در هوای آزاد به صورت پایا تصعید می‌شود و قطر آن از  $d_1$  به  $d_2$  کاهش می‌یابد. نسبت شار

مولی اولیه به شار مولی انتهایی کدام است؟

$$(1) \frac{d_2}{d_1}$$

$$(2) \frac{d_1}{d_2}$$

$$(3) \left(\frac{d_1}{d_2}\right)^2$$

$$(4) \left(\frac{d_2}{d_1}\right)^2$$

۷۲- در یک نقطه از یک سیستم دو فازی گاز - مایع، مقاومت فاز گازی سه برابر مقاومت فاز مایع می‌باشد و شیب خط

تعادل را می‌توان برابر دو در نظر گرفت. شیب خط نیروی محرکه در آن نقطه برابر کدام است؟

$$(1) -6$$

$$(2) -1/5$$

$$(3) 1/5$$

$$(4) 6$$

۷۳- برای انتقال جرم جزء گازی  $A$  از حباب گازی به درون مایع متلاطم، اگر ضریب نفوذ  $A$  در مایع نصف شود و زمان

اقامت حباب در مایع دو برابر شود، در آن صورت طبق تئوری رسوخ ضریب، انتقال جرم چگونه تغییر می‌یابد؟

(۱) ثابت می‌ماند. (۲) چهار برابر می‌شود.

(۳) دو برابر می‌شود. (۴) نصف می‌شود.

۷۴- در مورد نفوذ مولکولی ( $D_{AB}$ ) و نفوذ چرخانه‌ای ( $E_D$ )، کدام گزینه، صحیح‌تر است؟

(۱) مقادیر  $D_{AB}$  و  $E_D$  بستگی به موقعیت سیال دارند.

(۲) مقدار  $D_{AB}$  بستگی به موقعیت سیال دارد.

(۳) مقدار  $E_D$  بستگی به موقعیت سیال دارد.

(۴)  $D_{AB}$  و  $E_D$  مقادیر ثابتی هستند.

۷۵- گاز A وارد ستونی از ذرات جامد کروی B می شود و واکنش زیر با سرعت آنی در سطح کاتالیت صورت می پذیرد.



اگر کسر مولی A در یک مقطع مشخص در توده گاز برابر با  $\frac{4}{3}[1 - \exp(-1)]$  باشد، در آن مقطع مقدار ضریب

انتقال F بر حسب شار مولی برابر کدام است؟

$$\frac{1}{3} N_C \quad (1)$$

$$3 N_A \quad (2)$$

$$3 N_C \quad (3)$$

$$\frac{1}{3} N_A \quad (4)$$

۷۶- خوراکی از یک مخلوط دو جزئی با دبی  $40 \frac{\text{kg mole}}{\text{hr}}$  وارد برج تقطیر می شود. محصول های بالا و پایین با دبی

یکسان از بالا و پایین برج خارج می شوند. در صورتی که مقدار نسبت جریان برگشتی ۲ و گرمای تبخیر دو ماده برابر شد، مقدار بخار تولیدی و ریویلر چند کیلوگرم مول بر ساعت است؟ فرض کنید خوارک به صورت بخار اشباع وارد برج می شود.

$$20 \quad (1)$$

$$40 \quad (2)$$

$$60 \quad (3)$$

$$80 \quad (4)$$

۷۷- مقدار فراریت ماده A به ماده B در یک مخلوط دو فاز در صورتی که جزء مولی A در فاز بخار برابر ۰/۹ و در فاز مایع برابر ۰/۲ باشد، چقدر خواهد بود؟

$$0.03 \quad (1)$$

$$9 \quad (2)$$

$$10 \quad (3)$$

$$36 \quad (4)$$

۷۸- کدام یک از موارد زیر برای نقطه Plait Point، در فرایند استخراج صحیح است؟

(۱) به حداکثر جداسازی می رسیم.

(۲) جداسازی غیرممکن است.

(۳) جداسازی در این نقطه ممکن است ماکزیمم یا مینیمم باشد.

(۴) این نقطه از تلاقی خطوط عملیاتی با منحنی تعادلی حاصل می شود و حداکثر مقدار تعادلی را نشان می دهد.

۷۹- مخلوط ایدئال دو جزئی برای جداسازی وارد یک برج تقطیر می شود. خطوط عملیاتی بالا و پایین برج به صورت

$$y = 0.6x + 0.36, y = 2.4x - 0.2$$

بیان شده است. ترکیب مولی (درصد) بالا و پایین برج به ترتیب برابر کدام

است؟ (گندانسور به صورت کامل طراحی شده است)

$$0.2, 0.6 \quad (1)$$

$$0.1, 0.81 \quad (2)$$

$$0.14, 0.9 \quad (3)$$

$$0.2, 0.81 \quad (4)$$



۸۰- یک مخلوط دو فاز دارای ۶۰ درصد ماده B می‌باشد. در دما و فشار مشخصی، ضرایب توزیع (K - Value) در حالت تعادل برای دو جزء A و B به ترتیب ۲/۲ و ۰/۴ است. مقدار مولی جزء A در فاز بخار چقدر است؟

- (۱) ۰/۱۸  
(۲) ۰/۵  
(۳) ۰/۹  
(۴) ۰/۷۳

۸۱- در جداسازی یک محلول دو جزئی در یک برج تقطیر، ضریب فراریت ۲ بوده و این برج دارای یک جوش‌آور تعادلی می‌باشد. چنانچه خلوص محصولات بالا و پایین بر اساس جزء فرار به ترتیب  $\frac{۳۲}{۳۳}$  و  $\frac{۱}{۳۳}$  باشد، تعداد حداقل سینی‌های برج کدام است؟

- (۱) ۸  
(۲) ۹  
(۳) ۱۰  
(۴) ۱۱

۸۲- سه خوراک با مشخصات زیر وارد برج تقطیری می‌شود که جداسازی در آن بر اساس ضریب فراریت ۱/۳ صورت می‌پذیرد. خوراک‌ها دو جزئی هستند و برای هر کدام حالت خوراک و درصد جزء فرار داده شده است. ترتیب وارد کردن خوراک از بالا به پایین چگونه است؟

$$F_1 \left| \begin{array}{l} \text{مایع اشباع} \\ Z_{F_1} = 0/40 \end{array} \right. \quad F_2 \left| \begin{array}{l} \text{بخار اشباع} \\ Z_{F_2} = 0/50 \end{array} \right. \quad F_3 \left| \begin{array}{l} \text{مایع اشباع} \\ Z_{F_3} = 0/50 \end{array} \right.$$

- (۱)  $F_1$  (پایین)،  $F_2$  (مابین)،  $F_3$  (بالا)  
(۲)  $F_3$  (بالا)،  $F_2$  (مابین)،  $F_1$  (پایین)  
(۳)  $F_1$  (پایین)،  $F_3$  (بالا)،  $F_2$  (مابین)  
(۴)  $F_2$  (مابین)،  $F_3$  (بالا)،  $F_1$  (پایین)

۸۳- در صورتی که ۱۰۰ مول مایع دو جزئی حاوی ۶۴ درصد جزء فرارتر به صورت دیفرانسیلی تقطیر شود و در انتهای فرایند، ۷۵ مول در ظرف جمع‌آوری محصول حاصل شود، جزء فرار در مایع باقی‌مانده در دستگاه تقطیر چقدر خواهد بود؟ در محدوده تقطیر رابطه تعادلی  $y^2 = 3x$  می‌باشد.

- (۱) ۰/۰۴  
(۲) ۰/۱۶  
(۳) ۰/۳۶  
(۴) ۰/۴۸

۸۴- در یک برج تقطیر فقط دو بخش بالا و پایین وجود دارد. کدام عبارت در مورد شیب منحنی عملیاتی بخش بالا ( $m_T$ ) و شیب منحنی عملیاتی بخش پایین ( $m_B$ )، صحیح است؟

- (۱)  $m_B > 1$ ,  $m_T > 1$   
(۲)  $m_B > 1$ ,  $m_T < 1$   
(۳)  $m_B < 1$ ,  $m_T < 1$   
(۴)  $m_B < 1$ ,  $m_T > 1$

۸۵-  $200 \frac{\text{kg}}{\text{h}}$  خوراک محتوی ۴۰٪ جرمی C (جزء استخراج شونده) و ۶۰٪ جرمی A با حلال محتوی ۸۰٪ جرمی B

در فرایند تک مرحله‌ای استخراج مایع - مایع مخلوط می‌شود. اگر معادله خط کار بر اساس کسرهای جرمی عاری از جزء استخراج شونده به صورت زیر باشد، مقدار حلال مصرفی چند کیلوگرم بر ساعت است؟

$$Y = -0.3X + 0.2$$

(۱) ۳۳۳

(۲) ۴۰۰

(۳) ۵۰۰

(۴) ۶۶۷

مجموعه دروس تخصصی ۱ (ایمنی در صنایع نفت و طراحی سیستم‌های ایمنی، بیماری‌های حرفه‌ای و مخاطرات شغلی):

۸۶- شیرهای ایمنی و فشارشکن طوری طراحی و تنظیم می‌شوند که وقتی فشار دستگاه:

(۱) ۱۰ درصد از حد مجاز بالاتر رود، باز و وقتی ۱۰ درصد از حد مجاز پایین بیاید، بسته می‌شود.

(۲) ۱۰ درصد از حد مجاز بالاتر رود، باز و وقتی ۵ درصد از حد مجاز پایین بیاید، بسته می‌شود.

(۳) ۵ درصد از حد مجاز بالاتر رود، باز و وقتی ۵ درصد از حد مجاز پایین بیاید، بسته می‌شود.

(۴) ۵ درصد از حد مجاز بالاتر رود، باز و وقتی ۱۰ درصد از حد مجاز پایین بیاید، بسته می‌شود.

۸۷- پدیده «Boil Over»، در کدامیک از انواع حریق (Fire) رخ می‌دهد؟

(۱) Fire Ball (۲) Tank Fire (۳) Flash Fire (۴) Jet Fire

۸۸- مؤثرترین راه در طراحی دستگاه‌های ذاتاً ایمن، کدام است؟

(۱) کاهش پتانسیل شرایط ایجاد خطر (۲) محدود کردن اثرات

(۳) تعدیل (۴) جایگزینی

۸۹- حداکثر زاویه‌ای که در سنگ‌های سمباده می‌تواند پوشیده نباشد، چند درجه است؟

(۱) ۵۵ (۲) ۴۵ (۳) ۶۵ (۴) ۷۵

۹۰- ارتفاع نرده‌های حفاظتی بالایی (Top Rails) در داربست‌ها مطابق استاندارد OSHA، چند اینچ است؟

(۱) ۲۸ - ۳۵ (۲) ۳۵ - ۴۸

(۳) ۴۵ - ۵۸ (۴) ۳۸ - ۴۵

۹۱- در کدامیک از انواع اسپرینکلر، شیرهای تأمین آب به وسیله یک سیستم آشکارساز جداگانه عمل می‌کنند؟

(۱) Dry system (۲) pre-action system (۳) wet system (۴) هیچ کدام

۹۲- برای نصب دتکتورهای گازی، کدام محل مناسب‌تر است؟

(۱) با توجه به نوع حسگر و چگالی گاز متفاوت است. (۲) نزدیکی کف

(۳) با توجه به نوع حسگر متفاوت است. (۴) نزدیکی سقف

۹۳- در صورتی که هوا در محیطی پایش گردد و مقدار اکسیژن در آن ۲۰٪، میزان LEL، ۲٪ و غلظت گاز

منواکسیدکربن توسط دستگاه قرائت‌گر High باشد، اگر مقدار IDLH این گاز ۱۲۰۰ ppm باشد، غلظت گاز

منواکسیدکربن چند برابر IDLH است؟ (مقدار LEL گاز منواکسید کربن ۱۲/۵٪ است.)

(۱) ۰/۵ (۲) ۱

(۳) ۲ (۴) ۳

- ۹۴- بر اساس مدل LOPA، شیرهای ایمنی در کدام دسته از لایه‌های حفاظتی قرار می‌گیرند؟  
 (۱) BPCS (۲) Emergency (۳) Preventien (۴) Mitigation
- ۹۵- بر اساس استاندارد IEC، عدد دوم در IP دستگاه‌ها، نشان دهنده چیست؟  
 (۱) حفاظت در برابر ورود گازها و بخارات (۲) حفاظت در برابر ضربات مکانیکی  
 (۳) حفاظت در برابر ورود جامدات (۴) حفاظت در برابر ورود مایعات
- ۹۶- در هنگام نشت آزادسازی یک ماده شیمیایی از یک مخزن، اولین اقدام چیست؟  
 (۱) Containment (۲) Confinement (۳) Clamping (۴) Decontamination
- ۹۷- در مورد تعیین درصد اختلال شنوائی در هر گوش، میانگین آستانه شنوائی در چه فرکانس‌هایی برحسب هرتز محاسبه می‌شود؟  
 (۱) ۱۰۰، ۵۰۰، ۱۰۰۰، ۲۰۰۰ (۲) ۵۰۰، ۱۰۰۰، ۲۰۰۰، ۳۰۰۰  
 (۳) ۵۰۰، ۱۰۰۰، ۲۰۰۰، ۴۰۰۰ (۴) ۱۰۰۰، ۲۰۰۰، ۴۰۰۰، ۸۰۰۰
- ۹۸- کاتاراکت ناشی از UV، بیشتر در چه افرادی مشهود است؟  
 (۱) شیشه‌گران (۲) ریخته‌گران (۳) معدن‌کاران (۴) کارگران راه و ساختمان
- ۹۹- در بین ترکیبات آلی سرب، کدام ترکیب بیشترین میزان سمیت را دارد؟  
 (۱) متیل - اتیل سرب (۲) تری اتیل سرب (۳) تترا متیل سرب (۴) تترا اتیل سرب
- ۱۰۰- اعضای هدف اصلی مسمومیت با کادمیوم، کدام است؟  
 (۱) کبد و ریه (۲) کلیه و کبد (۳) کلیه و ریه (۴) مغز استخوان
- ۱۰۱- بیشترین آمار رینیت شغلی، در چه افرادی دیده می‌شود؟  
 (۱) آشپزها (۲) آبکارها (۳) ریخته‌گران (۴) کفاشان
- ۱۰۲- شایع‌ترین نوع عفونت قارچی شغلی، کدام است؟  
 (۱) اسپورو تریکوز (۲) درماتوفیتی (۳) کاندیدیایی (۴) ماستیوما
- ۱۰۳- وجود رنگ سبز در ناخن، ممکن است در اثر عفونت با چه عاملی باشد؟  
 (۱) پلاستومایکوزیس (۲) شیتوزوما (۳) پسودومانوئی (۴) هستیوپلاسموز
- ۱۰۴- کدام یک، جزء خفقان آوره‌های شیمیایی نیست؟  
 (۱) اتیلن (۲) سولفید هیدروژن (۳) سیانید هیدروژن (۴) منواکسیدکربن
- ۱۰۵- کدام دسته از مواد زیر سبب تغییر ماهیت و خواص پروتئین در پوست می‌شوند؟  
 (۱) اسیدها (۲) اکسیدان‌ها (۳) روغن‌ها (۴) قلیاها

مجموعه دروس تخصصی ۲ (آلودگی آب‌وهوا و آلودگی صوتی، مدیریت HSE و مدیریت ریسک، اصول ایمنی و حفاظت محیط زیست):

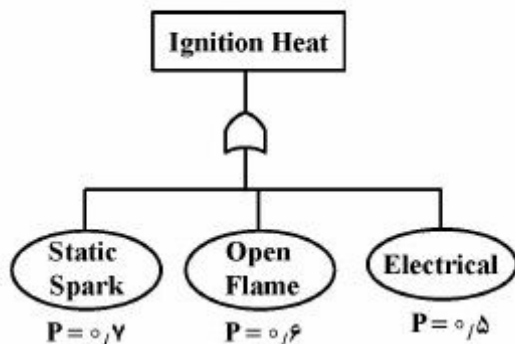
- ۱۰۶- مطالعات پایش عوامل زیان آور محیط کار، چه زمانی باید انجام شود؟  
 (۱) بعد از انجام مطالعات ارزیابی ریسک و قبل از معاینات سلامت کار  
 (۲) بعد از انجام مطالعات ارزیابی ریسک و معاینات سلامت کار  
 (۳) قبل از انجام مطالعات ارزیابی ریسک و بعد از معاینات سلامت کار  
 (۴) قبل از انجام مطالعات ارزیابی ریسک و معاینات سلامت کار



- ۱۰۷- برنامه‌های تعمیرات و نگهداری پیشگیرانه، در کدام عنصر از عناصر سیستم مدیریت HSE، در نظر گرفته می‌شود؟  
 (۱) اجرا و پایش (۲) مدیریت تغییر (۳) مدیریت ریسک (۴) یکپارچگی سرمایه
- ۱۰۸- وقتی در یک سازمان حادثه‌ای به وقوع می‌پیوندد، کدام یک از فرایندهای HSE، نیاز به بازنگری مجدد دارد؟  
 (۱) سازمان و منابع (۲) مدیریت تغییر (۳) مدیریت ریسک (۴) یکپارچگی سرمایه
- ۱۰۹- سه مؤلفه اصلی HSE Competency (صلاحیت HSE)، کدام است؟  
 (۱) Awareness – Job Experience – Attitude  
 (۲) knowledge – Job Experience – Attitude  
 (۳) knowledge – Job Experience – Skill  
 (۴) Awareness – Skill – Mastery
- ۱۱۰- کدام گزینه چارچوب و ساختار یک HSE Plan (برنامه HSE) را بهتر و دقیق‌تر نشان می‌دهد؟  
 (۱) Mission – Vision – Objectives – Targets – Projects – Activities  
 (۲) Vision – Mission – Goals – Objectives – Projects – Activities  
 (۳) Mission – Vision – Objectives – Goals – Targets – Projects  
 (۴) Vision – Mission – Goals – Objectives – Targets – Programs
- ۱۱۱- پیش ارزیابی HSE پیمان‌کاران، باید در کدام مرحله انجام شود؟  
 (۱) قبل از مناقصه (۲) در حین مناقصه  
 (۳) بعد از انتخاب پیمان‌کار (۴) بعد از انعقاد قرارداد با پیمان‌کار
- ۱۱۲- در حال حاضر حمل و نقل بسیاری از مواد خطرناک از طریق هوایی ممنوع است و از راه‌های دیگر از جمله زمینی انجام می‌شود. این نکته جزء کدام یک از استراتژی‌های کنترل ریسک است؟  
 (۱) Risk Acceptance (۲) Risk Transfer  
 (۳) Risk Avoidance (۴) Risk Reduction
- ۱۱۳- مدل پنیرسوئیسی ریزن که برخی آن را مدل دومینوی مدرن می‌نامند، از کدام رویکرد برای علت‌یابی و کاهش خطاهای انسانی استفاده می‌کند؟  
 (۱) شناختی (۲) فردی (۳) سازمانی (۴) مهندسی
- ۱۱۴- در صورت وقوع یک انفجار در یک واحد فرایندی، ۲ اپراتور خواهند مرد. اگر کارخانه دارای ۲ شیفت ۸ ساعته بوده و در هر شیفت ۷۰ نفر کارگر مشغول به کار باشند. با فرض اینکه کارخانه ۲۵۰ روز در سال فعال باشد، میزان FAR، کدام است؟

(۱) ۰٫۷۱۴ (۲) ۷٫۱۴ (۳) ۷۱٫۴ (۴) ۷۱۴

- ۱۱۵- بر اساس قواعد FTA احتمال وقوع Ignition Heat در درخت خطای زیر، برابر کدام است؟



(۱) ۰٫۰۶

(۲) ۰٫۲۱

(۳) ۰٫۹۴

(۴) ۱٫۸



۱۱۶- در چه pH‌هایی قلیانیت آب به شکل تعادل مابین  $\text{HCO}_3^-$  و  $\text{CO}_3^{2-}$  مشاهده می‌شود؟

- (۱) بالاتر از ۴٫۶  
(۲) بالاتر از ۸٫۳  
(۳) ۴٫۶ تا ۸٫۳  
(۴) کمتر از ۱۰

۱۱۷- کلرخواهی آبی  $\frac{\text{mg}}{\text{L}}$  ۱٫۵ است. اگر دبی  $\frac{\text{m}^3}{\text{s}}$  ۰٫۵ و کلر باقی‌مانده  $\frac{\text{mg}}{\text{L}}$  ۰٫۵ باشد، مقدار پرکلرین مصرفی روزانه

جهت گندزدایی این آب چند کیلوگرم خواهد بود؟ (درجه خلوص پرکلرین ۶۰ درصد است.)

- (۱) ۶۴٫۸  
(۲) ۸۶٫۴  
(۳) ۱۰۸  
(۴) ۱۴۴

۱۱۸- در رابطه با منعقد کننده‌های آلوم و نمک آهن، کدام گزینه صحیح است؟

- (۱) آلوم، لخته‌های سنگین‌تری نسبت به نمک‌های آهن تشکیل می‌دهد.  
(۲) نمک‌های آهن، لخته‌های سنگین‌تری نسبت به آلوم تشکیل می‌دهد.  
(۳) آلوم، قلیانیت بیشتری نسبت به کلرور فریک مصرف می‌کند.  
(۴) آلوم، در گستره وسیع‌تری از pH عمل می‌کند.

۱۱۹- کدام یون‌های آب از نظر تغییر طعم و امکان اختلال در جهاز هاضمه اهمیت دارد؟

- (۱) منیزیم - سولفات  
(۲) منگنز - نترات  
(۳) کلسیم - کلراید  
(۴) سدیم - فسفات

۱۲۰- مهم‌ترین گاز گلخانه‌ای، کدام است و کدام یک بیشترین GWP را دارد؟ (به ترتیب از راست به چپ)

- (۱)  $\text{CFCs} - \text{CO}_2$   
(۲)  $\text{CO}_2 - \text{CFCs}$   
(۳)  $\text{CO}_2 - \text{CH}_4$   
(۴)  $\text{CH}_4 - \text{CO}_2$

۱۲۱- کدام نوع از تکنولوژی حذف ذرات از هوا، بر اساس نیروی گریز از مرکز، ذرات را حذف می‌کند؟

- (۱) اتاقک ته‌نشینی  
(۲) اسکرابر  
(۳) بیورآکتور  
(۴) سیکلون

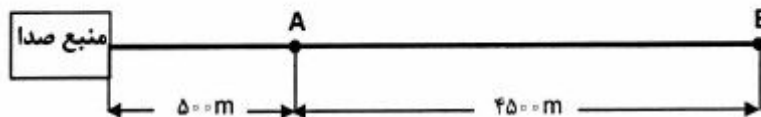
۱۲۲- کدام یک، بیشترین راندمان را جهت حذف ذرات ریز دارد؟

- (۱) اتاقک ته‌نشینی  
(۲) اسکرابر  
(۳) بگ‌هوس  
(۴) سیکلون

۱۲۳- برای بررسی صدای ترافیک و حمل و نقل هوایی، از کدام شبکه توزین کننده فرکانس صدا استفاده می‌شود؟

- (۱) D  
(۲) C  
(۳) B  
(۴) A

۱۲۴- با توجه به شکل زیر اگر تراز فشار صوت در نقطه B، ۶۰ دسی‌بل باشد، تراز فشار صوت در نقطه A چند دسی‌بل خواهد بود؟



خواهد بود؟

- (۱) ۴۰  
(۲) ۸۰  
(۳) ۱۰۰  
(۴) ۱۲۰

۱۲۵- گزینه صحیح، کدام است؟

- (۱) فون، واحد اندازه‌گیری بلندی صوت و سون، واحد اندازه‌گیری شدت صوت است.
- (۲) در فرکانس‌های پایین، آستانه شنوایی انسان بالاتر است.
- (۳) بلندی صوت، همان تراز فشار صوت در فرکانس ۵۰۰ Hz است.
- (۴) صداهای با تراز فشار صوت پایین را صدای بم می‌گویند.

۱۲۶- حد مجاز نیتروژن فاضلاب تصفیه شده، در چه مصارفی سخت‌گیرانه‌تر است؟

- (۱) آب زیرزمینی
- (۲) آب سطحی
- (۳) شستشوی خیابان‌ها
- (۴) کشاورزی

۱۲۷- در رابطه با احداث سپتیک تانک، جهت تصفیه فاضلاب، کدام گزینه نادرست است؟

- (۱) به هنگام لایروبی رعایت نکات ایمنی برای استشمام گاز  $H_2S$  ضروری است.
- (۲) در مناطقی که سطح آب زیرزمینی، پایین‌تر از ۳ متر است مناسب است.
- (۳) پساب خروجی آن، جهت تخلیه آب سطحی مناسب است.
- (۴) برای تصفیه فاضلاب جوامع کوچک مناسب است.

۱۲۸- کارگری در حین بالا رفتن از پله‌ها در اثر سطح آغشته به روغن لیز خورده ولی آسیبی نمی‌بیند. با این توضیح

کدام وضعیت برای او اتفاق افتاده است؟

- |              |               |
|--------------|---------------|
| (۱) Accident | (۲) Near Miss |
| (۳) Hazard   | (۴) Incident  |

۱۲۹- کدام مسیر در بدن انسان، در برابر جریان برق مقاومت کمتری دارد؟

- (۱) پوست خیس
- (۲) پوست خشک
- (۳) دست به دست
- (۴) گوش تا گوش

۱۳۰- کارگری دستگاه برش در حال تعمیر را روشن نموده و به دنبال آن دست کارگر تعمیرکار که در حال تعمیر و

سرویس دستگاه بوده دچار جراحت می‌گردد. علت اصلی این حادثه چیست؟

- (۱) به کارگیری کارگران بی‌تجربه
- (۲) دسترسی به قسمت‌های باز دستگاه
- (۳) عدم رعایت برجسبزی
- (۴) عدم حفاظ‌گذاری صحیح

۱۳۱- آب مصرفی در کدام بخش از صنعت، جزء آب‌های با حساسیت بسیار بالا طبقه‌بندی می‌گردد؟

- (۱) آب بویلرهای پرفشار
- (۲) آب‌های خنک‌کننده چرخشی باز
- (۳) آب مصرفی در صنایع غذایی
- (۴) آب نرم برای شستشو در صنایع فولاد

۱۳۲- کدام فرایند، جزء فرایندهای داخلی تصفیه آب بویلر، می‌باشد؟

- (۱) تزریق آهنک جهت حذف سختی
- (۲) تزریق سولفیت سدیم جهت حذف اکسیژن
- (۳) تزریق کلروفریک جهت حذف کدورت
- (۴) تزریق هیپوکلریت‌ها جهت حذف پاتوژن‌ها

۱۳۳- کارگری که در عملیات جوش کاری از نوع قوس الکتریکی مشارکت دارد، بیشتر در معرض کدام نوع مخاطرات قرار می‌گیرد؟

- (۱) پرتو ایکس
- (۲) پرتو فرابنفش
- (۳) پرتو گاما
- (۴) پرتو مادون قرمز

۱۳۴- کدام مورد در رابطه با لباس کار صحیح است؟

- (۱) استفاده از لباس‌های جیب دار در کارگاه آلوده به گرد و غبار ممنوع است.
- (۲) استفاده از لباس آستین کوتاه در کارگاه آلوده به گرد و غبار ممنوع است.
- (۳) لباس کار باید از جنس تمام نخ تهیه شود.
- (۴) سالی یک بار باید لباس کار به کارگر تحویل شود.

۱۳۵- غلظت آلاینده‌های هوا بیش‌تر از چند برابر مجاز باید باشد تا استفاده از ماسک متصل به کپسول اکسیژن، الزامی گردد؟

- |         |         |
|---------|---------|
| (۱) ۱۰  | (۲) ۵۰  |
| (۳) ۱۰۰ | (۴) ۲۰۰ |