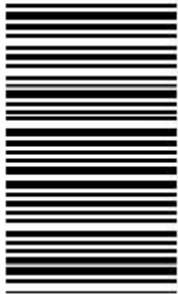


کد کنترل
263
A



263A

نام:

نام خانوادگی:

محل امضا:

عصر پنجشنبه
۹۶/۲/۷
«دفترچه شماره ۱»



جمهوری اسلامی ایران
وزارت علوم، تحقیقات و فناوری
سازمان سنجش آموزش کشور

«اگر دانشگاه اصلاح شود مملکت اصلاح می‌شود.»
امام خمینی (ره)

آزمون ورودی دوره‌های کارشناسی ارشد ناپیوسته داخل - سال ۱۳۹۶

مجموعه فوتونیک - کد ۱۲۰۵

تعداد سؤال: ۱۱۰

مدت پاسخگویی: ۲۴۰ دقیقه

عنوان مواد امتحانی، تعداد و شماره سؤالات

ردیف	مواد امتحانی	تعداد سؤال	از شماره	تا شماره
۱	زبان عمومی و تخصصی (انگلیسی)	۳۰	۱	۳۰
۲	الکترومغناطیس	۲۰	۳۱	۵۰
۳	فیزیک مدرن	۲۰	۵۱	۷۰
۴	مکانیک کوانتومی	۲۰	۷۱	۹۰
۵	الکترونیک	۲۰	۹۱	۱۱۰

این آزمون نمره منفی دارد.
استفاده از ماشین حساب مجاز نیست.

حق چاپ، تکثیر و انتشار سؤالات به هر روش (الکترونیکی و ...) پس از برگزاری آزمون، برای تمامی اشخاص حقیقی و حقوقی تنها با مجوز این سازمان مجاز می‌باشد و با متخلفین برابر مقررات رفتار می‌شود.

PART A: Vocabulary

Directions: Choose the word or phrase (1), (2), (3), or (4) that best completes the blank. Then mark the correct choice on your answer sheet.

- 1- By signing these papers, I agree to not ----- any of my company's financial records to anyone outside of my firm.
1) authorize 2) articulate 3) divulge 4) victimize
- 2- Without an antidote to treat the patient, the poisonous snakebite would prove -----.
1) vulnerable 2) fatal 3) massive 4) extreme
- 3- Stifling a yawn, Jackie covered her mouth as she listened to one of her mother's ----- stories about her childhood.
1) interminable 2) credible 3) widespread 4) literal
- 4- After learning the lawyer accepted a bribe, the committee decided to ----- him and suspend his license.
1) encounter 2) retaliate 3) underestimate 4) rebuke
- 5- The government will ----- any property that has been purchased with money earned through illegal means.
1) resist 2) seize 3) eliminate 4) avoid
- 6- Now that I have got another offer of employment, which sounds as good as the earlier one, I am in a ----- as to which one to choose.
1) necessity 2) comparison 3) postponement 4) dilemma
- 7- Since there is a huge ----- between the results of the first and second experiment, the laboratory team will conduct a third test.
1) discrepancy 2) autonomy 3) randomness 4) opposition
- 8- To get a good grade on the research project, you must ----- your report with provable facts.
1) inform 2) outline 3) substantiate 4) interfere
- 9- We thought that the power cuts were temporary and would end but we have now realized that this is a ----- problem and will never end.
1) chaotic 2) perennial 3) fragile 4) memorable
- 10- If a ----- answer can provide the information requested, there is no reason to bore a person with a long response.
1) boundless 2) conceptual 3) concise 4) logical

PART B: Cloze Passage

Directions: Read the following passage and decide which choice (1), (2), (3), or (4) best fits each space. Then mark the correct choice on your answer sheet.

It is very easy to lead someone's memory astray. For example, if I witness a traffic accident and (11) ----- whether the car stopped before or after the tree, I am much more likely to "insert" a tree into my memory of the scene, (12) ----- no tree was actually present. This occurrence reflects the fact that when we retrieve a memory, we also re-encode it and during that process it is (13) ----- errors.

Elizabeth Loftus at the University of California, Irvine, and colleagues have shown that this "misinformation effect" can have huge implications for the court room, with

experiments (14) ----- that eyewitness testimonies can be adversely influenced by misleading questioning. Fortunately, these findings also suggest ways for police, lawyers and judges to frame the questions (15) ----- they ask in a way that makes reliable answers more likely.

- | | | | | |
|-----|-------------------------------------|-----------------|------------------------------|----------------|
| 11- | 1) I am later asked | 2) later asking | 3) to be asked later | 4) later asked |
| 12- | 1) even then | 2) so even | 3) as if even | 4) even if |
| 13- | 1) a possibility implanting | | 2) possible to implant | |
| | 3) possibly to implant | | 4) possibility of implanting | |
| 14- | 1) are repeatedly demonstrated | | 2) repeatedly demonstrating | |
| | 3) that are demonstrated repeatedly | | 4) to demonstrate repeatedly | |
| 15- | 1) that | 2) when | 3) because | 4) even though |

PART C: Reading Comprehension:

Directions: Read the following three passages and answer the questions by choosing the best choice (1), (2), (3), or (4). Then mark the correct choice on your answer sheet.

PASSAGE 1:

The goal of a communication system is to transmit information which can be accomplished in many ways. Free space optical (FSO) technology depends on the propagation of optical beam through various media, which interact with and affect the quality of the propagating optical signal. The understanding of the atmospheric phenomena and how they affect the propagating light is essential in designing effective, intelligent and cost-efficient FSO links and reliable networks in order to provide uninterrupted service at the expected quality. FSO communication has increasingly attracted attention in the past decade for a number of applications for providing high bandwidth wireless communication links. Some of these applications include satellite-to-satellite cross-links, up-and-down links between space platforms and aircraft, ships, and other ground platforms, and among mobile or stationary terminals to solve the last mile problem through the atmosphere. However, there are a variety of deleterious features of the atmospheric channel that may lead to serious signal fading, and even the complete loss of signal altogether.

The atmosphere is composed of gas molecules, water vapor, aerosols, dust, and pollutants whose sizes are comparable to the wavelength of a typical optical carrier affecting the carrier wave propagation not common to a radio frequency (RF) system. Absorption and scattering due to particulate matter may significantly attenuate the transmitted optical signal, while the wave-front quality of a signal-carrying laser beam transmitting through the atmosphere can be severely degraded, causing intensity fading, increased bit error rates, and random signal losses at the receiver.

- 16- Free space technology depends on propagation of optical beam -----.
- | | |
|-----------------|--------------------------|
| 1) water | 2) quality |
| 3) through wire | 4) through various media |

- 17- **What causes the attenuation of transmitted optical signal?**
- 1) Atomic size of the particles
 - 2) The atmospheric pressure
 - 3) The digital nature of signal
 - 4) Absorption and scattering due to a particular matter
- 18- **Which of the following is true about the recent attraction in FSO communication?**
- 1) It provides high bandwidth wireless communication links.
 - 2) It provides low voltage communication systems.
 - 3) It is a very cheap technology.
 - 4) It is very easy to use.
- 19- **What is the effect of atmospheric components on optical carriers?**
- 1) It has no effect like radio frequency carriers.
 - 2) It affects the carrier wave propagation.
 - 3) It increases the speed of propagation.
 - 4) It affects the wave guide.
- 20- **What are the two common errors in the wave-front quality of a signal-carrying laser beam transmitting through the atmosphere?**
- 1) An increase in bit rate and frequency.
 - 2) The angle of wave guide and number of repeaters.
 - 3) The loss of communication and change of wave length.
 - 4) Intensity fading and increased bit error rates.

PASSAGE 2:

The process of modulation consists of mapping the information onto magnetic medium (a carrier). There are mainly three parameters of the carrier which can be varied to perform the modulation process for mapping the information into changes in either the amplitude, phase, or frequency of the carrier. The result of this modulation process is amplitude, phase, and frequency modulations, respectively. Demodulation is the reverse process of removing the carrier signal to obtain the original signal waveform (and thus the message/information) back.

The source of information can be analog or digital. In digital communication, the signal produced by this source is converted into digital signal consists of 1s and 0s. The object will be to use as few binary digits as possible to represent the signal in such a way this efficient representation of the source output would result in little or no redundancy. The sequence of binary digits is called information sequence. The process of efficiently converting the output of either analog or digital source into a sequence of binary digits is known as source encoding. This is accomplished by a source encoder as shown in Fig. 3.1 which is a typical system configuration. The information sequence is passed through the channel encoder in order to introduce, in a controlled manner, some redundancy in the binary information sequence that can be used at the receiver to overcome the effects of noise and interference encountered in the transmission on the signal through the channel. A block of information bits k is mapped via encoding to code word n , and by modulation to a channel symbol vector x which is transmitted over an optical channel. The communication channel is the physical medium that is used for transmitting signals from transmitters to receiver.

- 21- **The demodulation process is the process of -----.**
- 1) removing the carrier signal in order to obtain the original signal.
 - 2) increasing the frequency of the wave.
 - 3) a physical matter.
 - 4) wave demodulation.
- 22- **Source encoding is the process of -----.**
- 1) efficiently converting the output of source into analog signal
 - 2) converting the input of either analog or digital source into a sequence of binary digits
 - 3) efficiently converting the output of only analog source into a sequence of binary digits
 - 4) efficiently converting the output of source into a sequence of binary digits
- 23- **What is a communication channel?**
- 1) It is a cavity in the wave guide.
 - 2) It is an optical fiber wave guide with high loss.
 - 3) It is the physical medium used for transmitting signals from transmitters to receivers.
 - 4) It is the physical medium used for transmitting signals from receivers to transmitters.
- 24- **The process of source encoding is accomplished by -----.**
- | | |
|---------------------|-------------------------------|
| 1) a wave guide | 2) an optical fiber |
| 3) a source encoder | 4) demodulation of the signal |
- 25- **The three parameters of the carrier which can be varied to perform the modulation process are either -----.**
- 1) voltage, power, or noise of the carrier
 - 2) the amplitude, phase, or frequency of the carrier
 - 3) medium, phase noise, or INL of the carrier
 - 4) density, particle size, or atoms of the carrier

PASSAGE 3:

In order to design and optimize the performance of a FSO communication system, a knowledge of channel characteristics is important so that the right modulation scheme can be used to accomplish the communications system's requirements. Different modulation schemes are studied for different channels to optimize communication system performance. Additive white Gaussian noise (AWGN) channel is a universal channel model for analyzing modulation schemes. When the signal propagates through the channel, this model adds a white Gaussian noise to the signal. In the frequency domain, the channel's amplitude frequency response is flat (~ infinite bandwidth) and phase frequency response is linear for all frequencies.

When the channel bandwidth is smaller than the signal bandwidth, the channel is band limited. Some examples of band-limited channel include multiple scattering media such as fog, turbid medium, cloud, haze, dust, smoke, and rain. The greatest degradations are scintillation which causes temporal fluctuations of the signal count at the receiver, pulse stretching of the initially transmitted short pulse and random propagation time delays.

FSO links suffer from random change of refractive index caused by the variation of air temperature and pressure. FSO communication performance can be severely degraded due to atmospheric turbulence, which causes the temporal and spatial fluctuation of light intensity called scintillation of optical signals. Optical wireless communication (OWC) also suffer another degrading effect called fading which is a

phenomena occurring when the amplitude and phase of a signal change rapidly over a short period of time or travel distance. Fading is caused by interference between two or more versions of the transmitted signal which arrive at the receiver at slightly different times.

- 26- A universal channel model for analyzing modulation schemes is -----.
- 1) additive white Gaussian noise channel
 - 2) a non-Gaussian noise channel
 - 3) a white noise model
 - 4) a spurious model
- 27- The phase response in frequency domain is -----.
- 1) linear
 - 2) non-linear
 - 3) logarithmic
 - 4) exponential
- 28- The greatest degradation when the channel bandwidth is smaller than the signal bandwidth would be -----.
- 1) multiple scattering
 - 2) fading and short period time
 - 3) scintillation
 - 4) spatial fluctuations
- 29- The phenomenon of fading happens when -----.
- 1) digital signal is faded
 - 2) noise is overcome the output signal
 - 3) the frequency of the signal changes rapidly
 - 4) amplitude and phase of a signal change rapidly
- 30- What is added to the signal in the channel when using white Gaussian noise model?
- 1) A random noise
 - 2) A white Gaussian noise
 - 3) A boxed noise
 - 4) A rectangular noise

الکترومغناطیس:

۳۱- برای آن که مقدار بار Q به طور یکنواخت در حجم یک کره عایق به شعاع R توزیع شود، چه اندازه کار لازم است؟
(۱) صفر

$$(۲) \frac{Q^2}{4\pi\epsilon_0 R}$$

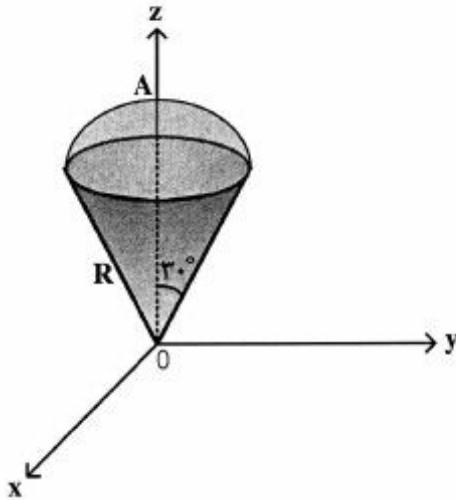
$$(۳) \frac{Q^2}{4\pi\epsilon_0 R}$$

$$(۴) \frac{Q^2}{4\pi\epsilon_0 R}$$

۳۲- در ناحیه‌ای از فضا میدان الکتریکی در مختصات کروی به شکل

$$\vec{E}(r, \theta, \phi) = \frac{Q}{4\pi\epsilon_0 R^2} r^2 (\sin\theta \hat{r} + \cos\theta \hat{\theta} + \tan\theta \hat{\phi})$$

سطح بسته‌ای متشکل از مخروطی با نیم زاویه رأس 30° و یک عرقچین کروی به شعاع $OA = R$ در بالای آن، کدام است؟



$$\frac{Q}{4} \left(\frac{\pi}{3} + \frac{\sqrt{3}}{2} \right) \quad (1)$$

$$\frac{Q}{8} \left(\frac{\pi}{3} + \frac{\sqrt{3}}{2} \right) \quad (2)$$

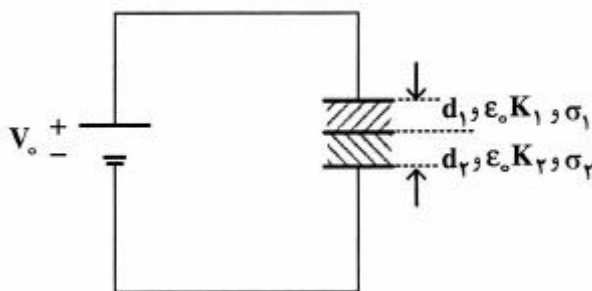
$$\frac{Q}{4\pi} \left(\frac{1}{2} - \frac{\pi}{\sqrt{3}} \right) \quad (3)$$

$$\frac{Q}{8\pi} \left(\frac{1}{3} - \frac{\sqrt{3}}{2} \right) \quad (4)$$

۳۳- طبق شکل یک خازن استوانه‌ای با صفحات فلزی موازی شامل دو لایه موازی مواد دی‌الکتریک می‌باشد. این لایه‌ها

به ترتیب دارای ضخامت‌های d_1 و d_2 ، ضرایب رسانش الکتریکی ویژه σ_1 و σ_2 و ضرایب دی‌الکتریک $\epsilon_0 K_1$ و $\epsilon_0 K_2$ می‌باشند. هرگاه این خازن به اختلاف پتانسیل V_0 وصل شده باشد، با صرف نظر از اثرات لبه‌های خازن،

چگالی سطحی جریان جابه‌جایی گذرنده از درون خازن کدام است؟



$$\frac{\sigma_1 \sigma_2}{\sigma_1 d_2 + \sigma_2 d_1} V_0 \quad (1)$$

$$\frac{\sigma_1 \sigma_2}{\sigma_1 d_1 + \sigma_2 d_2} V_0 \quad (2)$$

$$\frac{\sigma_1 \sigma_2}{(\sigma_1 + \sigma_2)(d_1 + d_2)} V_0 \quad (3)$$

$$\frac{\frac{1}{2} \sigma_1 \sigma_2}{(\sigma_1 + \sigma_2)(d_1 + d_2)} V_0 \quad (4)$$

۳۴- در سؤال ۳۳ چگالی سطحی بارهای الکتریکی آزاد روی سطح فصل مشترک دو ماده دی‌الکتریک درون خازن کدام است؟

$$(1) \left(\frac{\sigma_1 K_1 - \sigma_2 K_2}{\sigma_1 d_1 + \sigma_2 d_2} \right) \epsilon_0 V_0$$

$$(2) \left(\frac{\sigma_1 K_1 - \sigma_2 K_2}{(\sigma_1 + \sigma_2)(d_1 + d_2)} \right) \epsilon_0 V_0$$

$$(3) \left(\frac{1}{2} \frac{\sigma_1 K_1 - \sigma_2 K_2}{(\sigma_1 + \sigma_2)(d_1 + d_2)} \right) \epsilon_0 V_0$$

$$(4) \left(\frac{\sigma_1 K_2 - \sigma_2 K_1}{\sigma_1 d_2 + \sigma_2 d_1} \right) \epsilon_0 V_0$$

۳۵- فضای بین دو پوسته فلزی استوانه‌ای هم محور و بسیار طویل به شعاع‌های a و $3a$ از یک ماده دی‌الکتریک با ضریب رسانش الکتریکی σ_0 و ضریب دی‌الکتریک K پر شده است. مقاومت الکتریکی عرضی (شعاعی) در واحد طول کابل هم محور کدام است؟

$$(1) \frac{\ln 3}{2\pi\sigma_0}$$

$$(2) \frac{3}{2\pi\sigma_0}$$

$$(3) \frac{\ln 3}{4\pi\sigma_0}$$

$$(4) \frac{3}{4\pi\sigma_0}$$

۳۶- در سؤال ۳۵ ظرفیت الکتریکی در واحد طول کابل هم محور کدام است؟

$$(1) \frac{2\pi\epsilon_0 K}{3}$$

$$(2) \frac{4\pi\epsilon_0 K}{3}$$

$$(3) \frac{2\pi\epsilon_0 K}{\ln 3}$$

$$(4) \frac{4\pi\epsilon_0 K}{\ln 3}$$

۳۷- یک کره دی الکتریک به شعاع R_0 و ضریب دی الکتریک $\epsilon = K_e \epsilon_0$ را که قبلاً کاملاً بدون بار الکتریکی بوده درون میدان الکتریکی ثابت و یکنواخت خارجی $\vec{E}_0 = E_0 \hat{r}$ قرار می دهیم. مقدار کل بار الکتریکی القائی سطحی روی سطح خارجی نیمکره شمالی کدام است؟ جهت شمال در جهت مثبت محور z ها است.

$$\pi R_0^2 K_e \epsilon_0 E_0 \quad (1)$$

$$\pi R_0^2 (K_e - 1) \epsilon_0 E_0 \quad (2)$$

$$2\pi R_0^2 (K_e - 1) \epsilon_0 E_0 \quad (3)$$

$$2\pi R_0^2 K_e \epsilon_0 E_0 \quad (4)$$

۳۸- میله ای استوانه ای شکل به طول L و سطح مقطع A در امتداد محور z قرار دارد. بار الکتریکی با چگالی حجمی $\rho = \alpha(z - \frac{L}{2})$ برای $0 \leq z \leq L$ درون میله توزیع شده است. گشتاور دو قطبی الکتریکی این میله کدام است؟ α ضریب ثابتی است.

$$\frac{\alpha AL^2}{3} \hat{k} \quad (1)$$

$$\frac{\alpha AL^2}{12} \hat{k} \quad (2)$$

$$\frac{\alpha AL^2}{6} (\hat{i} + \hat{j}) \quad (3)$$

$$\frac{\alpha AL^2}{4} (\hat{i} + \hat{j}) \quad (4)$$

۳۹- دو پوسته رسانای باردار کروی هم مرکز به شعاع های a و b ($b > a$) به ترتیب دارای پتانسیل های ثابت ϕ_b و ϕ_a هستند. پتانسیل الکتریکی در نقطه ای واقع در ناحیه میان دو پوسته و به فاصله r از مرکز دو کره کدام است؟

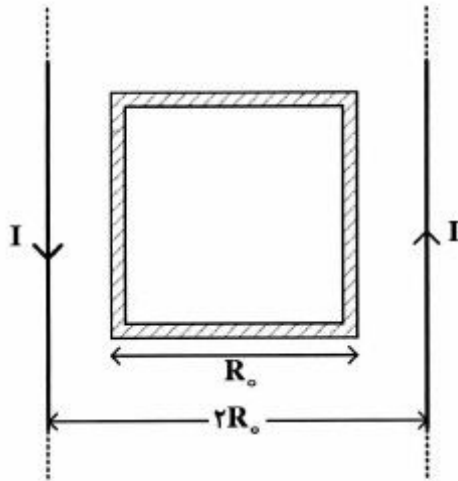
$$\frac{ab(\phi_b - \phi_a)}{(b-a)r} \quad (1)$$

$$\frac{a\phi_b - b\phi_a + ab(\phi_a - \phi_b)r^{-1}}{b-a} \quad (2)$$

$$\frac{b\phi_b - a\phi_a + ab(\phi_a - \phi_b)r^{-1}}{b-a} \quad (3)$$

$$\frac{b\phi_b + a\phi_a - ab(\phi_b - \phi_a)r^{-1}}{b-a} \quad (4)$$

- ۴۰- طبق شکل دو سیم هادی طویل و مستقیم موازی یکدیگر و به فاصله $2R_0$ از هم حاوی جریان رفت و آمدی I هستند. در صفحه این دو سیم و دقیقاً در وسط آن‌ها حلقه فلزی مربعی شکل به ضلع R_0 قرار دارد. ضریب القای متقابل بین این حلقه و دو سیم موازی کدام است؟



(۱) $\frac{\mu_0 R_0}{2\pi} \ln 2$

(۲) $\frac{\mu_0 R_0}{\pi} \ln 2$

(۳) $\frac{\mu_0 R_0}{2\pi} \ln 3$

(۴) $\frac{\mu_0 R_0}{\pi} \ln 3$

- ۴۱- در یک محیط مغناطیسی با $\mu = 5000\mu_0$ بردار مغناطش در مختصات دکارتی به شکل $\vec{M} = \Delta z \hat{i}$ است. چگالی جریان مغناطیسی کدام است؟

(۱) $\Delta \hat{j}$

(۲) $-\Delta(\hat{i} + \hat{j})$

(۳) $5000(\hat{i} + \hat{j})$

(۴) $5000\hat{k}$

- ۴۲- کدام بردار چگالی سطحی جریان \vec{J} می‌تواند در خلاء، بردار پتانسیل مغناطیسی $\vec{A} = \frac{\mu_0 J_0}{9R_0} (x^2 + y^2)^{\frac{1}{3}} \hat{e}_z$ را

تولید نماید؟ (J_0 و R_0 کمیت‌های فیزیکی ثابتی هستند.)

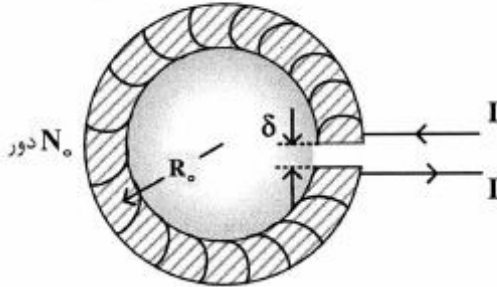
(۱) $\frac{J_0}{3R_0^2} (x^2 + y^2) \hat{e}_z$

(۲) $\frac{J_0}{R_0} (x^2 + y^2)^{\frac{1}{3}} \hat{e}_z$

(۳) $-\frac{J_0}{R_0^2} (x^2 + y^2)^{-\frac{1}{3}} \hat{e}_z$

(۴) $-\frac{J_0}{R_0} (x^2 + y^2)^{\frac{1}{3}} \hat{e}_z$

۴۳- یک میله استوانه‌ای که از آهن نرم با ضریب پذیرفتاری مغناطیسی $\mu = \mu_0 K_m$ ($K_m \gg 1$) ساخته شده است را روی خودش خم کرده و به صورت یک حلقه دایره‌ای شکل به شعاع R_0 در آورده‌ایم. هرگاه دور این حلقه آهنی را با سیم هادی روکش دار N_0 دور پیچیده و جریان I_0 از آن عبور دهیم، میدان مغناطیسی B درون فضای خالی بین دو سطح انتهائی استوانه که فاصله بسیار کوچک δ از یکدیگر دارند، کدام است؟



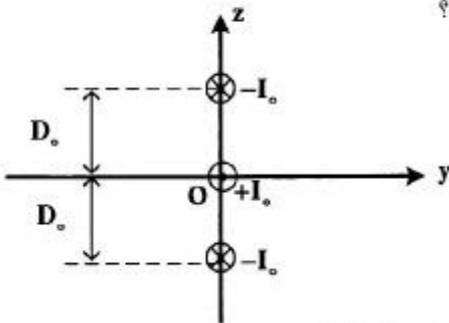
$$(1) \frac{N_0 I_0 \mu_0 K_m}{2\pi R_0 - \delta}$$

$$(2) \frac{2N_0 I_0 \mu_0}{2\pi R_0 + (K_m - 1)\delta}$$

$$(3) \frac{N_0 I_0 \mu_0}{2\pi R_0 + (K_m - 1)\delta}$$

$$(4) \frac{N_0 I_0 K_m \mu_0}{2\pi R_0 + (K_m - 1)\delta}$$

۴۴- مطابق شکل سه سیم فلزی کاملاً مشابه، حامل جریان I_0 ، طویل، مستقیم و صلب، موازی یکدیگر و در امتداد محور x (عمود بر صفحه کاغذ) به فاصله‌های یکسان D_0 از یکدیگر قرار دارند. جرم هر سیم در واحد طولش برابر m_0 است. از گرانش صرف نظر کنید. هرگاه سیم وسطی (در مبدأ مختصات O) را به مقدار بسیار کوچک z ($z \ll D_0$) جابه‌جا نماییم چه اتفاقی، برای سیم وسطی رخ خواهد داد؟



(۱) با پیروی در اطراف نقطه O روبه بالا و پایین حرکت نوسانی انجام می‌دهد.

$$\frac{\pi D_0}{I_0} \sqrt{\frac{m_0}{\frac{\mu_0}{4\pi}}}$$

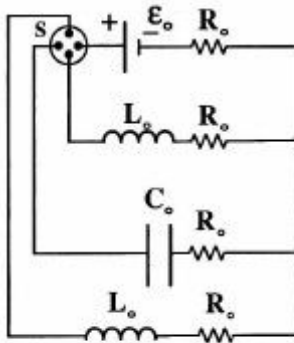
(۲) با پیروی در اطراف نقطه O روبه بالا و پایین حرکت نوسانی انجام می‌دهد.

$$\frac{2\pi D_0}{I_0} \sqrt{\frac{m_0}{\frac{\mu_0}{4\pi}}}$$

(۳) به آن سیمی که نزدیکتر شده جذب و پس از $\frac{\pi D_0}{I_0} \sqrt{\frac{m_0}{\frac{\mu_0}{4\pi}}}$ ثانیه به آن می‌چسبد.

(۴) از آن سیمی که دورتر شده ناگهان برگشته و جذب آن شده و پس از $\frac{2\pi D_0}{I_0} \sqrt{\frac{m_0}{\frac{\mu_0}{4\pi}}}$ به آن می‌چسبد.

۴۵- در مدار شکل زیر خازن در ابتدا کاملاً خالی است. با بسته شدن کلید چهار تایی S به طور کامل و صبر کردن کافی (زمان طولانی)، مقدار بار الکتریکی نهائی خازن برابر $C_0 \epsilon_0 \alpha$ خواهد بود. عدد α کدام است؟



- (۱) $\frac{1}{6}$
(۲) $\frac{1}{4}$
(۳) $\frac{1}{3}$
(۴) $\frac{1}{2}$

۴۶- محیط دی الکتریکی با ضریب شکست ۲ با لایه‌ای نازک با ضریب شکست n اندود شده است. مقدار n چقدر باشد تا نوری که از هوا به طور عمودی به آن‌ها می‌تابد بازتابی نداشته باشد؟

- (۱) $\sqrt{2}$
(۲) $\sqrt{3}$
(۳) $2\sqrt{2}$
(۴) $\frac{3\sqrt{3}}{2}$

۴۷- در یک موج بر با سطح مقطع مستطیلی به ابعاد a و $2a$ که دیواره‌هایش کاملاً رسانا است، حداقل فرکانس مد TE که بتواند درون آن انتشار پیدا کند، کدام است؟

- (۱) $\frac{\pi c}{a}$
(۲) $\frac{\pi c}{4a}$
(۳) $\frac{\pi c}{2a}$
(۴) $\frac{2\pi c}{a}$

۴۸- در امواج TM

- (۱) میدان E بر راستای انتشار عمود است ولی میدان B روی آن مؤلفه دارد.
(۲) میدان B بر راستای انتشار عمود است ولی میدان E روی آن مؤلفه دارد.
(۳) میدان‌های E و B هر دو بر راستای انتشار عمودند.
(۴) میدان‌های E و B هر دو روی راستای انتشار مؤلفه دارند.

۴۹- اگر مقادیر ضریب رسانندگی دو محیط متفاوت و متناهی و غیر صفر باشند ($g_1 \neq g_2 \neq \infty$)، کدام شرط مرزی هیچ‌گاه نمی‌تواند برقرار باشد؟ n مؤلفه عمود بر مرز مشترک و t مؤلفه مماس بر آن است.

$$E_{1t} = E_{2t} \quad (۱)$$

$$D_{1n} = D_{2n} \quad (۲)$$

$$H_{1t} = H_{2t} \quad (۳)$$

$$B_{1n} = B_{2n} \quad (۴)$$

۵۰- میدان الکتریکی یک موج الکترومغناطیسی که در خلأ منتشر می‌شود برابر $\vec{E} = E_0 \cos(\omega t + \beta z) \hat{x}$ است. القاء مغناطیسی \vec{B} این موج کدام است؟ E_0 ، ω و β ضرایب ثابتی هستند.

$$\vec{B} = \frac{\beta}{\omega} E_0 \cos(\omega t + \beta z) \hat{z} \quad (۱)$$

$$\vec{B} = \beta \omega E_0 \sin(\omega t + \beta z) \hat{z} \quad (۲)$$

$$\vec{B} = +\frac{\omega}{\beta} E_0 \cos(\omega t + \beta z) \hat{y} \quad (۳)$$

$$\vec{B} = -\frac{\beta}{\omega} E_0 \sin(\omega t + \beta z) \hat{y} \quad (۴)$$

فیزیک مدرن:

۵۱- در دستگاه مختصات لخت K با مختصات (x, ct) دو حادثه $E_1 = (0, 0)$ و $E_2 = (\Delta m, 13m)$ روی داده‌اند. در مورد دستگاه مختصات لخت K' با مختصات (x', ct') که در لحظه $t = t' = 0$ مبدأ آن بر مبداء K منطبق می‌باشد، همه عبارات زیر صحیح‌اند، به‌جز:

(۱) مختصات حادثه اول $(0, 0)$ است.

(۲) مختصات حادثه دوم در دستگاه K' می‌تواند $(12m, 0)$ باشد.

(۳) مختصات حادثه دوم در دستگاه K' می‌تواند $(0, 12m)$ باشد.

(۴) تندی حرکت K' نسبت به K می‌تواند برابر $\frac{5}{13}c$ باشد.

۵۲- ذره‌ای آزاد با تندی اولیه $0.6c$ در حرکت است. اگر تندی ذره ۴ درصد افزایش یابد، تکانه خطی آن چند درصد افزایش می‌یابد؟

$$۲,۲۵ \quad (۱)$$

$$۴ \quad (۲)$$

$$۶,۲۵ \quad (۳)$$

$$۸ \quad (۴)$$

۵۳- دو پروتون A و B با تندیهای $\frac{1}{2}c$ و $\frac{2}{5}c$ به سوی یکدیگر حرکت می‌کنند. تندیهی A نسبت به B کدام است؟

(۱) $\frac{3}{4}c$

(۲) $\frac{9}{10}c$

(۳) $\frac{1}{8}c$

(۴) $\frac{7}{12}c$

۵۴- به جسمی به جرم سکون m_0 که در ابتدا از دید ناظر S ساکن است یک نیروی F که در دستگاه همراه جسم همواره مقدار و جهت ثابتی دارد، وارد می‌شود. پس از گذشت زمان t از دید ناظر S، سرعت این جسم به چه مقداری می‌رسد؟

(۱) $\frac{Ft}{2m_0}$

(۲) $\frac{Ft/m_0}{\sqrt{1+(Ft/(m_0c))^2}}$

(۳) $\frac{Ft}{m_0} \sqrt{1+(Ft/(m_0c))^2}$

(۴) $c \sqrt{1+(Ft/(m_0c))^2}$

۵۵- یک مزون π در حال سکون ($m_{\pi} = 273 m_e$) به یک مزون μ ($m_{\mu} = 207 m_e$) و یک نوترینو (با جرم سکون صفر) وامی‌یابد. انرژی جنبشی نوترینوی حاصل تقریباً چند MeV است؟ ($m_e c^2 = 0.51 \text{ MeV}$)

(۱) $33/7$

(۲) $25/5$

(۳) $37/8$

(۴) $29/6$

۵۶- نسبت عددی طول موج کامپتون به طول موج دوپروی یک ذره آزاد نسبیتی را یکبار به اشتباه به طور غیرنسبیتی محاسبه نموده و عدد K را به دست آوردیم و وقتی بار دوم محاسبه را به درستی و به طور نسبیتی انجام دادیم عدد K را $1/25$ به دست آوردیم. تندی حرکت این ذره چند برابر c (تندی حرکت نور در خلاء) بوده است؟

- (۱) $\frac{1}{5}$
(۲) $\frac{2}{5}$
(۳) $\frac{3}{5}$
(۴) $\frac{4}{5}$

۵۷- طول موج فوتونی که بعد از برخورد با یک الکترون حداکثر انرژی جنبشی برابر با $K_e = \frac{64}{9} m_e c^2$ را به آن

انتقال دهد چند فرمی است؟ ($m_e c^2 = 0.511 \text{ MeV}$, $hc = 1.24 \mu\text{eV}\cdot\text{m}$)

- (۱) ۱۰۳
(۲) ۱۵۵
(۳) ۳۱۰
(۴) ۶۲۰

۵۸- در پدیده فوتوالکتریک نوری را یکبار روی سطح یک ورقه آلومینیوم با تابع کار 4.2 eV و بار دیگر روی سطح یک ورقه لیتیوم با تابع کار 2.3 eV تابانیده‌ایم. مشاهده شد که پتانسیل متوقف کننده جریان فوتوالکتریک در حالت دوم (ورقه لیتیوم) دو برابر پتانسیل متوقف کننده جریان مزبور در حالت اول است. طول موج نور تابشی تقریباً چند نانومتر است؟

- (۱) ۷۰۰
(۲) ۶۰۰
(۳) ۴۰۰
(۴) ۲۰۰

۵۹- طول موج نور تابشی از اولین حالت برانگیختگی دورانی ملکول HCl برابر $120 \mu\text{m}$ است. هرگاه $m_{\text{Cl}} = 5.81 \times 10^{-26} \text{ kg}$ و $m_{\text{H}} = 1.67 \times 10^{-27} \text{ kg}$ باشد، طول ملکول HCl تقریباً چند انگستروم می‌باشد؟

- (۱) ۰٫۹
(۲) ۱٫۳
(۳) ۱٫۸
(۴) ۲٫۶

۶۰- مقدار ویژه عملگر $\vec{L} \cdot \vec{S}$ برای حالتی با نماد طیف نگاری F_7^3 کدام است؟

- (۱) $-\frac{29}{4} \hbar^2$
(۲) $-2 \hbar^2$
(۳) $+6 \hbar^2$
(۴) $-4 \hbar^2$

۶۱- اگر در اتم هیدروژن به جای الکترون، ذره موثونی منفی μ^- با جرم سکون $207 m_e$ برابر بزرگتر از جرم سکون الکترون قرار بگیرد اتم موثونی شکل خواهد گرفت. طول موج فوتون تابیده شده از اولین حالت برانگیختگی این اتم تقریباً چندبرابر طول موج فوتون تابیده شده از اولین حالت برانگیختگی اتم هیدروژن خواهد بود؟ $m_p = 1837 m_e$

(۱) ۱۸۶ برابر بزرگتر (۲) ۱۸۶ برابر کوچکتر (۳) ۲۰۷ برابر بزرگتر (۴) ۲۰۷ برابر کوچکتر

۶۲- در یک مولکول خطی دو اتمی، تابع انرژی پتانسیل بین دو اتم $U(x) = a_0 x^2 - b_0 x^3$ با دو ثابت فیزیکی مثبت

a_0 و b_0 می‌باشد و البته فاصله x بین دو اتم آنچنان کوچک است که $\frac{b_0 x^3}{k_B T} \ll 1$ بر مبنای توزیع ماکسول -

بولتزمن، فاصله میانگین دو اتم $\langle x \rangle$ در طول این مولکول (مثلاً در یک جامد) به صورت $\langle x \rangle = c_0 T$ در می‌آید. مقدار c_0 برحسب a_0 و b_0 و ثابت بولتزمن k_B کدام است؟

$$c_0 = \frac{b_0 k_B}{a_0^2} \quad (1)$$

$$c_0 = \frac{b_0 k_B}{2 a_0^2} \quad (2)$$

$$c_0 = \frac{3 b_0 k_B}{4 a_0^2} \quad (3)$$

$$c_0 = \frac{4 b_0 k_B}{3 a_0^2} \quad (4)$$

۶۳- انرژی سکون ${}^7_3\text{Li}$ برابر 5601.5 MeV ، انرژی سکون هر پروتون 938.1 MeV و انرژی سکون هر نوترون 939.6 MeV است. انرژی پیوندی به ازای هر نوکلئون برای اتم لیتیم تقریباً چند MeV است؟

$$4/5 \quad (1)$$

$$5/6 \quad (2)$$

$$6/3 \quad (3)$$

$$7/1 \quad (4)$$

۶۴- رابطه بین انرژی و تکانه خطی ذرات غیر نسبیتی یک سامانه متشکل از ذرات مشابه و یکسان به صورت

$E(p) = C_0 p^2$ می‌باشد. نسبت سرعت فاز به سرعت گروه برای امواجی که مجموعه ذرات مزبور در حرکت دسته

جمعی به وجود می‌آورند، کدام است؟ (C_0 ضریب ثابتی است.)

$$\frac{1}{2} \quad (1)$$

$$2 \quad (2)$$

$$\frac{3}{5} \quad (3)$$

$$\frac{5}{3} \quad (4)$$

۶۵- انرژی که با توان $P = 3,9 \times 10^{+26} \text{ W}$ از سطح خورشید به بیرون تابیده می‌شود، در حقیقت حاصل تعداد بسیار زیادی چرخه‌های همجوشی گرما - هسته‌ای پروتون - پروتون درون خورشید است. در هر چرخه تعداد چهار پروتون مصرف شده و به یکدیگر جوش می‌خورند تا هسته هلیوم با دو پروتون و دو نوترون به وجود بیاید و در نتیجه آن مقدار انرژی $\Delta u = 4,2 \times 10^{-12} \text{ J}$ آزاد می‌گردد. آهنگ مصرف شدن هیدروژن درون خورشید چند

$$m_p = 1,67 \times 10^{-27} \text{ kg} \text{ است؟} \frac{\text{kg}}{\text{sec}}$$

(۱) $3 \times 10^{+7}$

(۲) $3 \times 10^{+9}$

(۳) $6,2 \times 10^{+11}$

(۴) $6,2 \times 10^{+13}$

۶۶- با اعمال پتانسیل 20 mV به دو وجه جانبی مکعب نیمه هادی از جنس ژرمانیوم به ضلع 10 mm جریان $6,4 \text{ mA}$ از آن عبور می‌کند. با فرض $\mu_n = 0,39 \frac{\text{m}^2}{\text{V} \cdot \text{sec}}$ و الکترون بودن حامل‌های جریان، چگالی تعداد

$$\text{حامل‌ها بر حسب } m^{-3} \text{ کدام است؟ } (m_e = 9 \times 10^{-31} \text{ kg})$$

(۱) $5,1 \times 10^{20}$

(۲) $5,1 \times 10^{22}$

(۳) $8,0 \times 10^{20}$

(۴) $8,0 \times 10^{22}$

۶۷- نور تکفامی یا طول موج 6000 \AA از درون دیافراگم سریعی که به مدت 10^{-9} ثانیه باز می‌شود، می‌گذرد. بخش‌شدگی در طول موج‌های نوری که دیگر تکفام نیست، تقریباً چند آنگستروم است؟

(۱) 10^{-5}

(۲) 10^{-4}

(۳) 10^{-2}

(۴) 10^{-3}

۶۸- تقریباً در چه دمائی گاز هیدروژن اتمی یونیزه و به پلاسمای متشکل از پروتون و الکترون شکسته می‌شود؟

$$k_B = 1,4 \times 10^{-23} \frac{\text{J}}{\text{K}}$$

(۱) $1 \times 10^{+5}$

(۲) $1 \times 10^{+4}$

(۳) $5 \times 10^{+3}$

(۴) $5 \times 10^{+2}$

۶۹- پرتو ایکس تکفامی با طول موج λ به طور عمودی بر ورقه نازک فلزی می تابند. طرح پراش روی صفحه عکاسی به فاصله ۴۰ سانتی متری از ورقه تشکیل می شود. اگر شعاع لکه مرکزی ۲cm باشد، فاصله دو صفحه متوالی براگ کدام است؟

(۱) ۴λ

(۲) ۵λ

(۳) ۱۰λ

(۴) ۲۰λ

۷۰- هسته ^{234}U دارای ۹۲ پروتون است. این هسته پس از گسیل یک ذره آلفا به کدام عنصر تبدیل می شود؟ (عنصر Pa دارای ۹۱ الکترون، عنصر Th دارای ۹۰ الکترون و عنصر Ra دارای ۸۸ الکترون است.)

(۱) ^{232}U

(۲) ^{230}Th

(۳) ^{230}Ra

(۴) ^{232}Pa

مکانیک کوانتومی:

۷۱- عملگر $\frac{1+i\hat{A}}{1-i\hat{A}}$ در صورتی یکانی است که عملگر \hat{A} عملگری باشد.

(۱) پادهرمیتی

(۲) یکانی

(۳) هرمیتی

(۴) متقارن

۷۲- اگر $A_1 = \frac{x^2 - p_x^2}{4}$ و $A_2 = \frac{xp_x + p_x x}{4}$ و x عملگر مکان و p_x عملگر تکانه خطی در راستای x باشند، حاصل

جابه جاگر $[A_1, A_2]$ کدام است؟

(۱) $\frac{-i\hbar}{4}(x^2 + p_x^2)$

(۲) $\frac{i\hbar}{4}(x^2 - xp_x x)$

(۳) $-\frac{i\hbar}{4}(x^2 + xp_x x)$

(۴) $\frac{i\hbar}{4}(x^2 + p_x^2)$

۷۳- مقادیر ویژه انرژی یک سامانه کوانتومی با هامیلتونی $H = \epsilon_0 e^{\theta M}$ با ماتریس $M = \begin{pmatrix} 0 & 0 & i \\ 0 & 1 & 0 \\ -i & 0 & 0 \end{pmatrix}$ کدامند؟

(θ ضریب ثابت مثبتی است)

$$E_1 = \epsilon_0 \cosh \theta, \quad E_2 = E_3 = \epsilon_0 e^{-\theta} \quad (1)$$

$$E_1 = E_2 = \epsilon_0 e^{\theta}, \quad E_3 = \epsilon_0 e^{-\theta} \quad (2)$$

$$E_1 = \epsilon_0 \cosh \theta, \quad E_2 = \epsilon_0 \sinh \theta, \quad E_3 = \epsilon_0 e^{-\theta} \quad (3)$$

$$E_1 = \epsilon_0 e^{\gamma \theta}, \quad E_2 = \epsilon_0 \cosh(\gamma \theta), \quad E_3 = \epsilon_0 \sinh(\gamma \theta) \quad (4)$$

۷۴- حداقل انرژی یک ذره الکترون باید چقدر باشد تا بتوانیم از آن در یک میکروسکوپ الکترونی با قدرت تفکیک

یک نانومتر استفاده نماییم؟ ($ch = 1.24 \mu\text{eV}\cdot\text{m}$, $m_e c^2 = 0.511 \text{ MeV}$)

$$3 \text{ eV} \quad (1)$$

$$1.5 \text{ eV} \quad (2)$$

$$1.5 \text{ keV} \quad (3)$$

$$3 \text{ keV} \quad (4)$$

۷۵- ذره‌ای با جرم m_0 تحت تأثیر پتانسیل مرکزی جاذبه‌ای $U(r) = -U_0 \left(\frac{a_0}{r}\right)$ به دور مرکز نیرو و روی دایره‌ای به

شعاع r حرکت مقید دارد (U_0 و a_0 مقادیر فیزیکی مثبت هستند). بر مبنای رابطه عدم قطعیت $\Delta p_r \cdot \Delta r \geq \frac{\hbar}{2}$

انرژی حالت پایه این ذره بر حسب U_0 و V_0 کدام است؟ ($V_0 = \frac{\hbar^2}{2m_0 a_0^2}$)

$$-\frac{1}{2} \left(\frac{U_0}{V_0}\right) U_0 \quad (1)$$

$$-\frac{3}{2} \left(\frac{U_0}{V_0}\right) U_0 \quad (2)$$

$$-\left(\frac{U_0}{V_0}\right) U_0 \quad (3)$$

$$-\frac{3}{2} \left(\frac{U_0}{V_0}\right) U_0 \quad (4)$$

۷۶- ذره‌ای با جرم m به صورت یک موج آزاد تابشی e^{-ik_0x} و با انرژی اولیه $E_0 = \frac{\hbar k_0^2}{2m}$ به یک سد پتانسیل مستطیل شکل یک بعدی به ارتفاع $V (V > E_0)$ و ضخامت a برخورد نموده و قسمتی از آن بازتابش پیدا می‌کند. ضریب بازتاب کدام است؟ ($q = \sqrt{2m(V - E_0)}$)

(۱) $e^{-\frac{aq}{\hbar}}$

(۲) $e^{-\frac{2aq}{\hbar}}$

(۳) $1 - e^{-\frac{aq}{\hbar}}$

(۴) $1 - e^{-\frac{2aq}{\hbar}}$

۷۷- تابع موج ذره‌ای به جرم m به صورت $\Psi(\vec{x}, t) = \sqrt{\rho(\vec{x}, t)} e^{\frac{i}{\hbar}S(\vec{x}, t)}$ داده شده است. بردار جریان احتمال این ذره کدام است؟

(۱) $\frac{1}{m} S(\vec{x}, t) \vec{\nabla} \rho(\vec{x}, t)$

(۲) $\frac{1}{m} \sqrt{\rho(\vec{x}, t)} \vec{\nabla} S(\vec{x}, t)$

(۳) $\frac{1}{m} \rho(\vec{x}, t) \vec{\nabla} S(\vec{x}, t)$

(۴) $\frac{1}{m} S(\vec{x}, t) \vec{\nabla} \sqrt{\rho(\vec{x}, t)}$

۷۸- ذره‌ای به جرم m در چاه پتانسیل یک بعدی بی نهایت عمیق به عرض a قرار دارد. انرژی جنبشی متوسط این ذره در اولین حالت برانگیخته کدام است؟

(۱) صفر

(۲) $\frac{\pi^2 \hbar^2}{2ma^2}$

(۳) $\frac{2\pi^2 \hbar^2}{ma^2}$

(۴) $\frac{\pi^2 \hbar^2}{ma^2}$

۷۹- ذره‌ای درون یک چاه پتانسیل بی نهایت عمیق یک بعدی با عرض محدود در حالت پایه انرژی خود زندانی است. اگر به طور ناگهانی و فوق العاده سریع و به طور بی دررو (آدیاباتیکی) عرض این چاه به نصف تقلیل پیدا کند، با چه احتمالی این ذره در وضعیت جدید همچنان در حالت پایه انرژی خود باقی می‌ماند؟

(۱) ۰٫۱۲

(۲) ۰٫۱۸

(۳) ۰٫۲۴

(۴) ۰٫۳۶

۸۰- برای ذره‌ای که در یک چاه پتانسیل بی‌نهایت عمیق با عرض محدود و ثابت زندانی شده است، خطای نسبی اندازه‌گیری مکان ذره یعنی $\delta = \frac{\Delta x}{\bar{x}}$ در ویژه حالت n ام انرژی کدام است؟ \bar{x} مقدار میانگین مکان ذره است.

$$\sqrt{\frac{1}{12} - \frac{1}{2\pi^2 n^2}} \quad (1)$$

$$\sqrt{\frac{1}{12} + \frac{1}{2\pi^2 n^2}} \quad (2)$$

$$\sqrt{\frac{1}{3} - \frac{2}{\pi^2 n^2}} \quad (3)$$

$$\sqrt{\frac{1}{3} + \frac{2}{\pi^2 n^2}} \quad (4)$$

۸۱- نوسانگر هم‌آهنگ یک بعدی با هامیلتونی $H = \frac{p_x^2}{2m_0} + \frac{1}{2} m_0 \omega_0^2 x^2$ با بارالکتریکی q_0 در معرض میدان

الکتریکی ثابت و یکنواخت $\vec{E}_0 = E_0 \hat{e}_x$ در یک محیط چسبنده با انرژی چسبندگی استهلاکی $-\frac{v_0}{\gamma} p_x$ را در نظر بگیرید. ترازهای انرژی این نوسانگر کدامند؟ (v_0 یک ثابت فیزیکی می‌باشد)

$$h \omega_0 \left(n + \frac{1}{\gamma} \right) - \frac{1}{\gamma} m_0 \left(v_0^2 + \left(\frac{q_0 E_0}{m_0 \omega_0} \right)^2 \right) \quad (1)$$

$$h \omega_0 \left(n + \frac{1}{\gamma} \right) - \frac{1}{\gamma} m_0 \left(\left(\frac{v_0}{\gamma} \right)^2 + \left(\frac{q_0 E_0}{m_0 \omega_0} \right)^2 \right) \quad (2)$$

$$h \omega_0 (n+1) - \frac{1}{\gamma} m_0 \left(v_0^2 + \left(\frac{q_0 E_0}{m_0 \omega_0} \right)^2 \right) \quad (3)$$

$$h \omega_0 (n+1) - \frac{1}{\gamma} m_0 \left(\left(\frac{v_0}{\gamma} \right)^2 + \left(\frac{q_0 E_0}{m_0 \omega_0} \right)^2 \right) \quad (4)$$

۸۲- نوسانگر هماهنگ یک بعدی در حالت $|\alpha\rangle = e^{-\frac{1}{2}\alpha\alpha^* + \alpha a^\dagger} |0\rangle$ داده شده است که a^\dagger عملگر بالابرد، $|0\rangle$ حالت پایه نوسانگر و α عدد ثابت مختلطی است. حاصل $a^\dagger |\alpha\rangle$ برابر با کدام عبارت است؟

$$\left(\frac{1}{2}\alpha^* + \frac{\partial}{\partial\alpha}\right)|\alpha\rangle \quad (1)$$

$$\left(\frac{1}{2}\alpha^* - \frac{\partial}{\partial\alpha}\right)|\alpha\rangle \quad (2)$$

$$\left(\frac{1}{2}\alpha + \frac{\partial}{\partial\alpha^*}\right)|\alpha\rangle \quad (3)$$

$$\left(\frac{1}{2}\alpha - \frac{\partial}{\partial\alpha^*}\right)|\alpha\rangle \quad (4)$$

۸۳- سیستمی با هامیلتونی $H = \begin{pmatrix} -E_0 & 0 \\ 0 & E_0 \end{pmatrix}$ در لحظه $t=0$ در حالت $|\Psi(0)\rangle = \frac{1}{\sqrt{2}} \begin{pmatrix} 1 \\ 1 \end{pmatrix}$ قرار دارد. پس از مدت زمان $t = \frac{\alpha\hbar}{E_0}$ سیستم با چه احتمالی در همین حالت قرار خواهد داشت؟ α ضریب عددی ثابتی است.

$$\frac{1}{2} \sin^2 \alpha \quad (1)$$

$$\frac{1}{2} \cos^2 \alpha \quad (2)$$

$$\sin^2 \alpha \quad (3)$$

$$\cos^2 \alpha \quad (4)$$

۸۴- سامانه فیزیکی از دو الکترون در حالت کوانتومی $|\chi_{\pm}(1)\rangle |\chi_{\pm}(2)\rangle - |\chi_{\pm}(1)\rangle |\chi_{\pm}(2)\rangle$ فراهم آورده

شده است. مقدار میانگین عملگر $S_{x_1} S_{x_2}$ در این حالت کدام است؟ (S_{x_i} مؤلفه x عملگر اسپین ذره i ام و

$|\chi_{\pm}(i)\rangle$ ویژه توابع بهنجار عملگر S_{z_i} با مقادیر $\pm \frac{\hbar}{2}$ هستند)

$$-\frac{\hbar^2}{4} \quad (1)$$

$$-\frac{\hbar^2}{8} \quad (2)$$

$$\frac{\hbar^2}{4\sqrt{2}} \quad (3)$$

$$\frac{\hbar^2}{2\sqrt{2}} \quad (4)$$

۸۵- فرض کنید که عملگر هرمیتی \hat{A} دارای ویژه بردارهای $|a'\rangle$ و $|a''\rangle$ با ویژه مقادیرهای a' و a'' باشد. اگر هامیلتونی سامانه‌ای $|a'\rangle\langle a'| + \delta|a''\rangle\langle a''|$ باشد، نمایش عملگر \hat{A} در پایه‌ای که از ویژه حالت‌های H برپا شده است، کدام است؟ (δ یک ثابت حقیقی است).

$$A = \frac{1}{2} \begin{pmatrix} a'+a'' & a'-a'' \\ a'-a'' & a'+a'' \end{pmatrix} \quad (۱)$$

$$A = \frac{1}{2} \begin{pmatrix} a'+a'' & 0 \\ 0 & a'-a'' \end{pmatrix} \quad (۲)$$

$$A = \begin{pmatrix} a' & 0 \\ 0 & a'' \end{pmatrix} \quad (۳)$$

$$A = \begin{pmatrix} 0 & \delta \\ \delta & 0 \end{pmatrix} \quad (۴)$$

۸۶- ویژه مقادیر عملگر $\hat{\sigma} \cdot \hat{n}$ که σ_x ، σ_y و σ_z ماتریس‌های پاولی و $\hat{n} = \frac{\hat{i} + 2\hat{j}}{\sqrt{5}}$ است، کدام‌اند؟

$$0, 1 \quad (۱)$$

$$1, -1 \quad (۲)$$

$$\frac{2}{\sqrt{5}}, \frac{1}{\sqrt{5}} \quad (۳)$$

$$-\frac{1}{\sqrt{5}}, \frac{2}{\sqrt{5}} \quad (۴)$$

۸۷- یک سامانه کوانتومی در حالت پایه انرژی خود به سر می‌برد و عملگرهای هامیلتونی و تکانه زاویه‌ای آن عبارتند از

$$L = \hbar \begin{pmatrix} -1 & \sqrt{3} \\ \sqrt{3} & +1 \end{pmatrix} \text{ و } H = \hbar\omega_0 \begin{pmatrix} 1 & -2\sqrt{3} \\ -2\sqrt{3} & 2 \end{pmatrix}$$

است؟

$$\frac{13}{3} \hbar \quad (۱)$$

$$\frac{33}{7} \hbar \quad (۲)$$

$$\frac{11}{4} \hbar \quad (۳)$$

$$\frac{11}{7} \hbar \quad (۴)$$

۸۸- در سؤال ۸۷ احتمال آن که در اندازه‌گیری تکانه زاویه‌ای بیشینه ویژه مقدار آن به دست آید، کدام است؟

(۱) $\frac{25}{28}$

(۲) $\frac{5}{2\sqrt{7}}$

(۳) $\frac{2}{3}$

(۴) $\sqrt{\frac{2}{3}}$

۸۹- نوسانگر هماهنگ دوبعدی با هامیلتونی $H = \frac{1}{2m}(p_x^2 + p_y^2) + \frac{1}{2}m\omega^2(x^2 + y^2)$ را در نظر بگیرید. اگر این نوسانگر تحت تأثیر اختلال $V = \alpha xy$ (α ضریب ثابت حقیقی بسیار کوچکی است) قرار گیرد، اولین جمله اصلاحی به انرژی حالت پایه سیستم کدام است؟

(۱) $-\frac{\alpha^2 \hbar}{2m^2 \omega^2}$

(۲) $-\frac{\alpha^2 \hbar}{m^2 \omega^2}$

(۳) $-\frac{\alpha^2 \hbar}{4m^2 \omega^2}$

(۴) $-\frac{\alpha^2 \hbar}{4m^2 \omega^2}$

۹۰- برای یک نوسانگر هماهنگ مقدار چشمداشتی هامیلتونی با استفاده از روش وردشی به صورت

$\langle H \rangle = \frac{\hbar^2}{2mb^2} + \frac{1}{2}m\omega^2 b^2$ محاسبه شده است، که در آن b پارامتر وردشی می‌باشد. مقدار کمینه انرژی کدام است؟

(۱) $\hbar \omega$

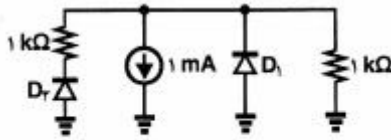
(۲) $\frac{\sqrt{2}}{2} \hbar \omega$

(۳) $\frac{1}{2} \hbar \omega$

(۴) $\frac{3}{2} \hbar \omega$

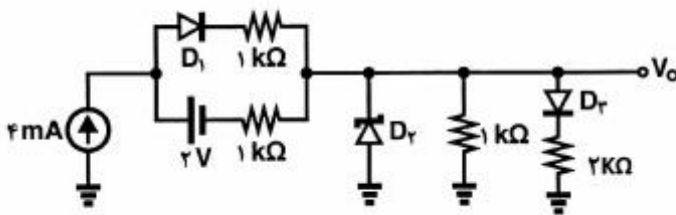
الکترونیک:

۹۱- در مدار شکل زیر اگر $V_{D(ON)} = 0.7V$ باشد، مقدار جریان دیود D_1 کدام است؟



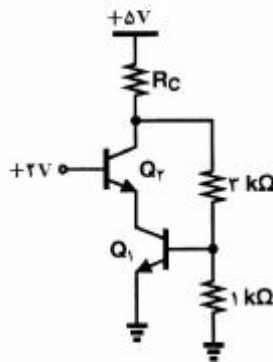
- (۱) ۰
- (۲) $300 \mu A$
- (۳) $600 \mu A$
- (۴) $1000 \mu A$

۹۲- در مدار شکل زیر اگر $V_{D(ON)} = 0.7V$ و $V_Z = 3.6V$ باشد، ولتاژ خروجی (V_0) کدام است؟



- (۱) ۲٫۵
- (۲) ۲٫۹
- (۳) ۳٫۲
- (۴) ۳٫۶

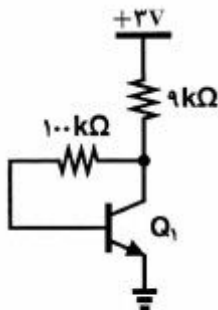
۹۳- در مدار زیر β ترانزیستور بسیار بزرگ و $V_{BE(ON)} = 0.7V$ است. اگر جریان کلکتور ترانزیستورها برابر با



$1 mA$ باشد، مقدار R_C کدام است؟

- (۱) $2.9 k\Omega$
- (۲) $2.2 k\Omega$
- (۳) $1.3 k\Omega$
- (۴) $1 k\Omega$

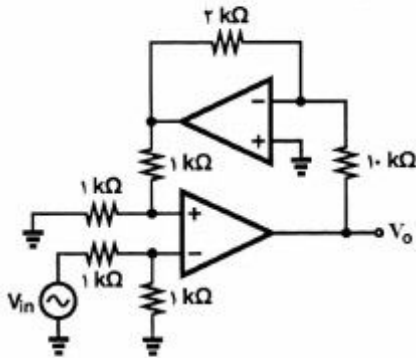
۹۴- در مدار شکل زیر اگر مقدار β از ۵۰ به ۱۰۰ افزایش یابد، جریان کلکتور ترانزیستور چند درصد تغییر می‌کند؟



(فرض کنید: $V_{BE(ON)} = 0.7V$)

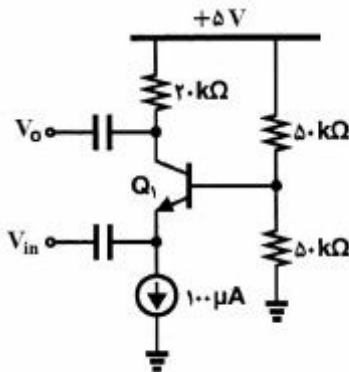
- (۱) ٪۱۰
- (۲) ٪۲۰
- (۳) ٪۵۰
- (۴) ٪۱۰۰

۹۵- در مدار شکل زیر آپ‌آمپ‌ها ایدئال هستند؛ بهره ولتاژ مدار (V_o / V_{in}) کدام است؟



- (۱) -۲
- (۲) -۲/۵
- (۳) -۵
- (۴) -۱۰

۹۶- با فرض $\eta V_T = 25 \text{ mV}$, $\beta = 100$ و اینکه خازن‌ها بسیار بزرگ هستند، بهره ولتاژ تقویت‌کننده شکل زیر (V_o / V_{in}) به کدام گزینه نزدیک‌تر است؟

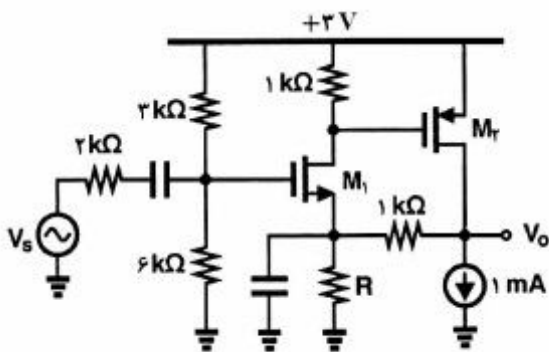


- (۱) ۲۰
- (۲) ۴۰
- (۳) ۶۰
- (۴) ۸۰

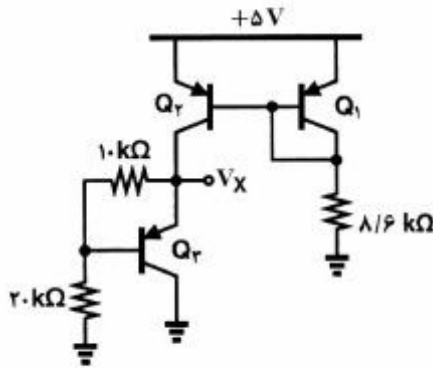
۹۷- در تقویت‌کننده شکل زیر خازن‌ها بسیار بزرگ هستند. برای اینکه جریان بایاس درین هر دو ترانزیستور برابر با ۱ mA باشد، مقاومت R چقدر باید باشد؟

برای هر دو ترانزیستور فرض کنید: $|V_{TH}| = 0.7 \text{ V}$, $\lambda = 0$, $\mu C_{ox} (W/L) = 50 \text{ mA/V}^2$.

- (۱) $R = 1 \text{ k}\Omega$
- (۲) $R = 2 \text{ k}\Omega$
- (۳) $R = 800 \text{ k}\Omega$
- (۴) $R = 1/8 \text{ k}\Omega$

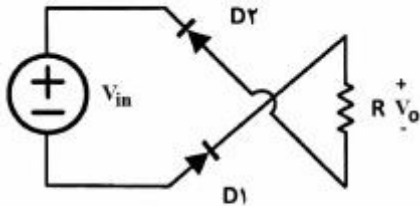


۹۸- در مدار شکل زیر ولتاژ V_X تقریباً چند ولت است؟ فرض کنید: $\beta = 200$ و $|V_{BE(ON)}| = 0.7V$.



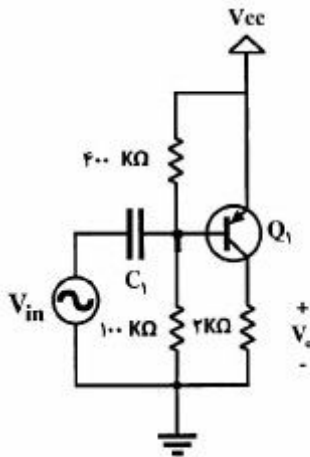
- ۱) ۱V
- ۲) ۲V
- ۳) ۲.۶V
- ۴) ۴.۳V

۹۹- به شرط آنکه ورودی بین $-1 < V_{in} < 0$ و از افت دیودها صرف نظر شود ولتاژ خروجی برابر است با:

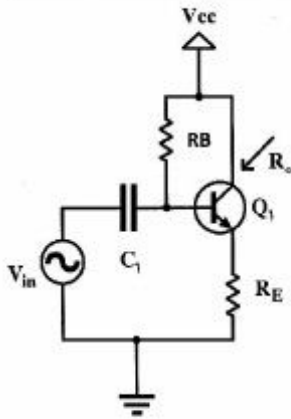


- ۱) $V_o = 0$
- ۲) $V_o = V_{in} / R$
- ۳) $V_o = -V_{in}$
- ۴) $V_o = V_{in}$

۱۰۰- در مدار زیر اگر $I_c = 1mA$ ، $V_T = 0.25V$ باشد، بهره ولتاژ تقویت کننده داده شده کدام است؟



- ۱) $A_v = -25$
- ۲) $A_v = -30$
- ۳) $A_v = -40$
- ۴) $A_v = -80$



۱۰۱- در مدار روبه‌رو، اگر $r_o \neq \infty$ باشد R_o کدام است؟

(۱) $R_o = r_o \parallel gm(R_E \parallel r\pi)$

(۲) $R_o = (R_E \parallel r\pi)r_o$

(۳) $R_o = R_E \parallel r\pi + r_o + gm(R_E \parallel r\pi)$

(۴) $R_o = r_o(1 + gm(R_E \parallel r\pi)) + R_E \parallel r\pi$

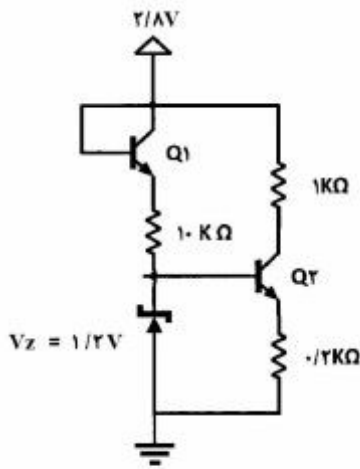
۱۰۲- در شکل روبه‌رو، اگر $\beta = 100$, $V_Z = 1/2V$, $V_{BE} = 0/7V$ باشد، جریان دیود زیر برابر با کدام است؟

(۱) $I_{DZ} = 12/5 \mu A$

(۲) $I_{DZ} = 25 \mu A$

(۳) $I_{DZ} = 32 \mu A$

(۴) $I_{DZ} = 65 \mu A$



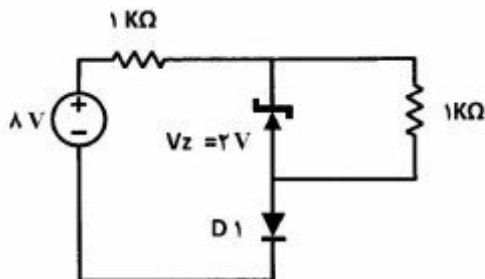
۱۰۳- در شکل زیر اگر $V_D = 0/7V$, $V_Z = 2V$ باشد، جریان دیود زیر کدام است؟

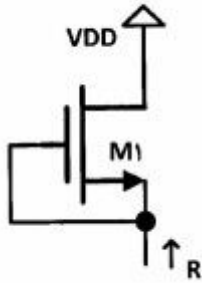
(۱) $2mA$

(۲) $2/2mA$

(۳) $2/8mA$

(۴) $4mA$





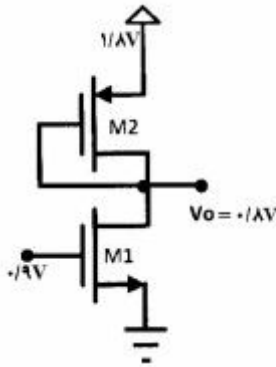
۱۰۴- در مدار روبه‌رو، اگر $r_o \neq \infty$ باشد، مقدار R کدام است؟

(۱) $R_o = 1 / ((1 / r_o) + g_m)$

(۲) $R_o = 1 / (g_m + 1)$

(۳) $R_o = r_o \parallel g_m$

(۴) $R_o = g_m r_o$



۱۰۵- در ترانزیستور M_2 پهنای کانال w_2 برابر با کدام است؟

فرض کنید: $\mu_n c_{ox} = 100 \mu A / V^2$, $\mu_n c_{ox} = 200 \mu A / V^2$

$I_{D1} = 500 \mu A$, $L_1 = L_2 = 0.2 \mu m$, $|V_{TP}| = V_{TN} = 0.5 V$

(۱) $W = 2 \mu m$

(۲) $W = 4 \mu m$

(۳) $W = 6 \mu m$

(۴) $W = 8 \mu m$

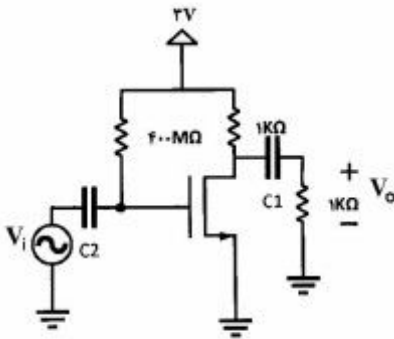
۱۰۶- در مدار زیر اگر $V_T = 0.8 V$, $\frac{W}{L} = 2$, $\mu_n c_{ox} = 100 \mu A / V^2$ باشد، بهره ولتاژ مدار کدام است؟

(۱) $A_v = -0.44$

(۲) $A_v = -0.34$

(۳) $A_v = -0.22$

(۴) $A_v = -0.12$



۱۰۷- در مدار زیر اگر $V_D = 0.7 V$, $V_{CE} = 1.1 V$, $V_Z = 2.1 V$, $V_{BE} = 0.7 V$, $\beta = 100$ باشد، مقدار جریان

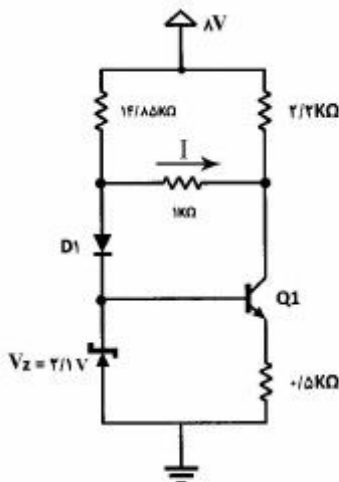
I_B در ترانزیستور Q_1 کدام است؟

(۱) $I_B = 16 \mu A$

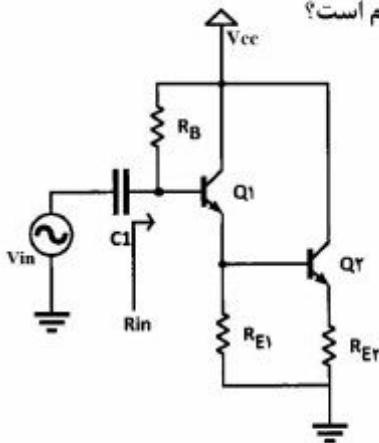
(۲) $I_B = 28 \mu A$

(۳) $I_B = 35 \mu A$

(۴) $I_B = 42 \mu A$



۱۰۸- در مدار زیر، اگر $\beta_1 = \beta_2 = \beta$ و $r_{o1} = r_{o2} = \infty$ باشد، مقاومت ورودی کدام است؟



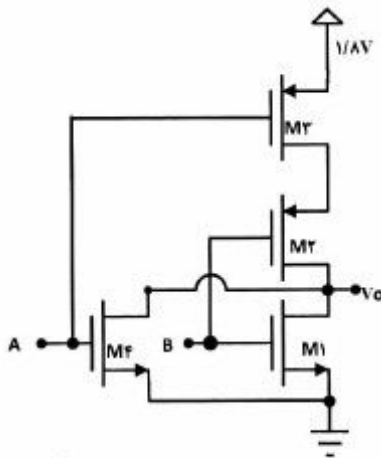
$$R_i = R_B \parallel ((R_{E1} + r_{\pi 1}) \parallel (R_{E2} \parallel r_{\pi 2})) \quad (1)$$

$$R_i = R_B \parallel ((\beta + 1)(R_{E1} + r_{\pi 1})(R_{E2} + r_{\pi 2})) \quad (2)$$

$$R_i = R_B \parallel ((\beta + 1)(R_{E1} + r_{\pi 1})) \quad (3)$$

$$R_i = R_B \parallel (r_{\pi 1} + (\beta + 1)(R_{E1} \parallel (r_{\pi 2} + (\beta + 1)R_{E2}))) \quad (4)$$

۱۰۹- در مدار نشان داده شده به شرط آنکه $A = B = 0V$ باشد؛ مقدار تقریبی ولتاژ خروجی کدام است؟



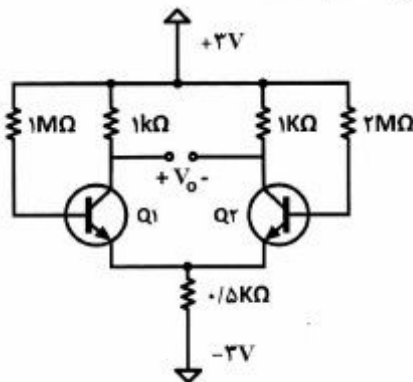
$$V_{out} = 1.8V \quad (1)$$

$$V_{out} = 0.9V \quad (2)$$

$$V_{out} = 0.6V \quad (3)$$

$$V_{out} = 0V \quad (4)$$

۱۱۰- اگر $\beta_1 = \beta_2 = 50$ ، $V_{BE} = 0.7V$ باشد، مقدار ولتاژ خروجی V_o کدام است؟



$$+1.25V \quad (1)$$

$$+0.25V \quad (2)$$

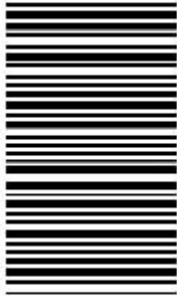
$$-0.125V \quad (3)$$

$$-0.375V \quad (4)$$

کد کنترل

264

A



264A

نام:

نام خانوادگی:

محل امضا:

عصر پنجشنبه ۹۶/۲/۷ «دفترچه شماره ۲»		 <p>اگر دانشگاه اصلاح شود مملکت اصلاح می‌شود. امام خمینی (ره)</p> <p>جمهوری اسلامی ایران وزارت علوم، تحقیقات و فناوری سازمان سنجش آموزش کشور</p>	
آزمون ورودی دوره‌های کارشناسی ارشد ناپوسته داخل - سال ۱۳۹۶			
مجموعه فوتونیک - کد ۱۲۰۵			
مدت پاسخگویی: ۳۰ دقیقه		تعداد سؤال: ۲۰	
عنوان مواد امتحانی، تعداد و شماره سؤالات			
ردیف	مواد امتحانی	تعداد سؤال	از شماره تا شماره
۱	اپتیک	۲۰	۱۱۱ ۱۳۰
این آزمون نمره منفی دارد. استفاده از ماشین حساب مجاز نیست.			
<small>حق چاپ، تکثیر و انتشار سؤالات به هر روش (الکترونیکی و ...) پس از برگزاری آزمون، برای تمامی اشخاص حقیقی و حقوقی تنها با مجوز این سازمان مجاز می‌باشد و با منتقلین برابر مقررات رفتار می‌شود.</small>			

ایتیک:

۱۱۱- در آزمایش دو آینه فرنل شکاف چشمه را به موازات خط برخورد این دو سطح آینه‌ای و به فاصله 50 cm از آن قرار می‌دهیم. پرده مشاهده را هم در فاصله عمودی یک متری از خط برخورد مستقر کرده‌ایم. هنگامی که از نوری با طول موج 6000 آنگسترم استفاده می‌شود، فاصله بین فریزهای روی پرده برابر $1/5\text{ mm}$ می‌شود. زاویه بین دو سطح آینه چند میلی رادیان است؟

(۱) 0.0667

(۲) 0.133

(۳) 0.6

(۴) $1/2$

۱۱۲- اگر از یک تیغه کوارتز چند لایه به ضخامت $625/25\text{ }\mu\text{m}$ به عنوان یک تیغه ربع موج در طول موج 549 nm استفاده کنیم، تعداد لایه‌های این تیغه کدام است؟ ($\Delta n = 0.1009$ برای کوارتز)

(۱) ۲۲

(۲) ۲۰

(۳) ۱۱

(۴) ۱۰

۱۱۳- باریکه‌ای پیوسته از نور لیزر هلیوم نئون ($\lambda = 633\text{ nm}$) را با استفاده از روزنه‌ای چرخان به صورت تپهای 0.211 nm در آورده‌ایم. پهنای خط ($\Delta\lambda$) چند نانومتر می‌شود؟

(۱) 0.00633

(۲) 0.211

(۳) 6.33

(۴) 633

۱۱۴- نور سفیدی به طور عمودی به لایه نازکی از روغن (به ضریب شکست $1/4$) که روی سطح شیشه‌ای ($n = 1/5$) قرار دارد، تابیده شده است. در ناحیه مرئی طول موجهای 700 nm و 500 nm ناپدید شده اند. ضخامت لایه روغن چند نانومتر است؟

(۱) ۱۷۵۰

(۲) ۱۲۵۰

(۳) ۸۷۵

(۴) ۶۲۵

۱۱۵- در صورتیکه سرعت فاز یک بسته موج به صورت $V_p = A + B\lambda$ باشد (در اینجا A و B کمیت‌های ثابتی هستند)، سرعت گروه این بسته موج چقدر است؟

- (۱) A
(۲) $B\lambda$
(۳) $2B\lambda$
(۴) $A + 2B\lambda$

۱۱۶- برای چشمه معین S و نقطه دریافت P ، یک روزنه گرد به گونه‌ای است که شامل سه منطقه اول فرنل می‌شود. شدت در نقطه دریافت P نسبت به حالتی که روزنه وجود ندارد، چند برابر است؟

- (۱) ۰
(۲) ۱
(۳) ۲
(۴) ۳

۱۱۷- یک توری پراش با پهنای یک سانتی‌متر در هر میلی‌متر ۱۰۰ خط دارد. چه پهنایی از توری باید روشن شود تا در طول موج 500nm بتواند دو طول موج به اختلاف یک نانومتر را در ردیف اول از یکدیگر تفکیک کند؟

- (۱) $\frac{1}{10}$ میلی‌متر
(۲) ۱۰ میلی‌متر
(۳) همواره قادر به تفکیک این طول موج است و به پهنای وابسته نیست
(۴) در هیچ حالتی قادر به تفکیک این طول موج نیست

۱۱۸- نور قطبیده $\begin{bmatrix} 1-i \\ 1+i \end{bmatrix}$ از یک قطبنده خطی با محور تراگسیل افقی عبور می‌کند، نوع قطبش نور پس از عبور چگونه است؟

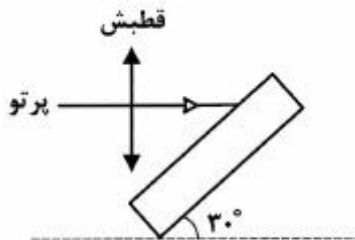
- (۱) قطبیده بیضوی چپگرد است
(۲) قطبیده خطی افقی است
(۳) قطبیده دایره‌ای است
(۴) قطبیده بیضوی راستگرد است

۱۱۹- دو عدسی نازک واگرا و همگرا، هر یک با اندازه فاصله کانونی f ، به فاصله d از یکدیگر قرار دارند. فاصله d چقدر باشد تا فاصله کانونی مجموعه آنها برابر $2f$ شود؟

- (۱) f
(۲) $\frac{f}{2}$
(۳) $\frac{3}{2}f$
(۴) برای هیچ فاصله‌ای از d ، جواب وجود ندارد

۱۲۰- پرتو نور قطبیده خطی با قطبشی مطابق شکل به موازات یک سطح افقی بر روی تیغه متوازی السطوحی که با سطح

افقی زاویه 30° می‌سازد، فرود می‌آید. اگر ضریب شکست تیغه برابر $\frac{3}{4}$ باشد، ضریب بازتاب پرتو چقدر است؟



$$\frac{1 - \sqrt{6}}{1 + \sqrt{6}} \quad (1)$$

$$\frac{9\sqrt{3} - 4\sqrt{8}}{9\sqrt{3} + 4\sqrt{8}} \quad (2)$$

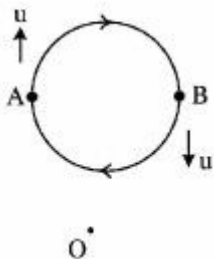
$$\frac{\sqrt{3} - \sqrt{8}}{\sqrt{3} + \sqrt{8}} \quad (3)$$

$$\frac{9 - 4\sqrt{6}}{9 + 4\sqrt{6}} \quad (4)$$

۱۲۱- ستاره‌ای با تندی ثابت u بر روی یک مسیر دایره‌ای در جهت ساعتگرد می‌چرخد و نوری با طول موج λ_0 تابش

می‌کند. ناظر ساکن O در صفحه دوران ستاره در فاصله‌ی دور قرار دارد. هنگامی که ستاره از نقاط A و B عبور

می‌کند، ناظر O مشاهده می‌کند که:



$$\lambda_0 > \lambda_A > \lambda_B \quad (1)$$

$$\lambda_A > \lambda_0 > \lambda_B \quad (2)$$

$$\lambda_B > \lambda_0 > \lambda_A \quad (3)$$

$$\lambda_A > \lambda_B > \lambda_0 \quad (4)$$

۱۲۲- نمایانی فریزهای حاصل از دو پرتو همدوس برابر $\frac{1}{4}$ است. اگر شدت یکی از پرتوها دو برابر دیگری باشد، درجه

همدوسی آنها چقدر است؟

$$\frac{3}{8\sqrt{2}} \quad (1)$$

$$\frac{3\sqrt{2}}{4} \quad (2)$$

$$\frac{3\sqrt{2}}{8} \quad (3)$$

$$\frac{3}{4\sqrt{2}} \quad (4)$$

۱۲۳- نیم پهنای زاویه‌ای (از بیشینه مرکزی تا اولین کمینه) برای باریکه‌ای پراشیده شده از شکافی به پهنای ۲۸ چند درجه است؟

(۱) ۱۵

(۲) ۳۰

(۳) ۴۵

(۴) ۶۰

۱۲۴- اگر شعاع انحنای مرز بین دو محیط به ضریب شکست n_1 و n_2 دو برابر شود، توان شکست نسبت به حالت قبل چند برابر می‌شود؟

(۱) $\frac{1}{4}$

(۲) $\frac{1}{2}$

(۳) ۱

(۴) ۲

۱۲۵- چشمه‌ای نقطه‌ای به طول موج 500nm را در فاصله 5cm از صفحه روزنه‌ای دایره‌ای به شعاع داخلی 0.5mm و شعاع خارجی 1mm می‌تابانیم. محل آشکارسازی در فاصله 5cm طرف دیگر صفحه روزنه قرار دارد. شدت نوری که به آشکارساز می‌رسد، تقریباً نسبت به شدت جبهه موج بدون مانع چقدر است؟

(۱) برابر صفر

(۲) دو برابر

(۳) برابر با شدت بدون مانع

(۴) چهار برابر

۱۲۶- در صورتیکه فاصله جسم تا پرده‌ای 20cm باشد و یک عدسی با فاصله کانونی f بتواند با 10cm جابجایی در بین جسم و پرده دو تصویر واضح روی پرده ایجاد کند، کوچکترین فاصله این عدسی تا جسم چند سانتی‌متر است؟

(۱) 2.5

(۲) 3.75

(۳) ۵

(۴) 7.5

۱۲۷- یک عدسی گوژ - تخت با ضخامت 4cm ، شعاع انحنای سطح کروی 3cm و ضریب شکست 1.5 داریم. در صورتیکه نور موازی از هوا به سطح انحنادار تابیده شود، محل کانون در چند سانتی‌متری سطح تخت تشکیل

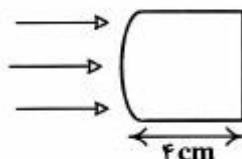
می‌شود؟

(۱) 3.33

(۲) ۵

(۳) ۶

(۴) ۹



۱۲۸- اگر پرتویی به صورت عمودی بر یک تیغه متوازی السطوح با ضخامت معین یک سانتی‌متر فرود آید، 70% نور عبور می‌کند، 10% جذب و 20% بازتاب می‌شود. اگر دو تیغه مشابه جدا از هم در مقابل این پرتو قرار دهیم، چه کسری از نور از مجموعه دو تیغه عبور می‌کند؟

$$\frac{49}{100} \quad (1)$$

$$\frac{49}{64} \quad (2)$$

$$\frac{49 \times 9}{640} \quad (3)$$

$$\frac{49}{96} \quad (4)$$

۱۲۹- نوری با بسامد $4 \times 10^{14} \text{ Hz}$ به توری متشکل از 10000 خط بر سانتی‌متر می‌تابد. بالاترین مرتبه طیفی که می‌توان توسط این توری مشاهده نمود، کدام است؟

(۲) طیف مرتبه دوم

(۱) طیف مرتبه اول

(۴) طیف مرتبه چهارم

(۳) طیف مرتبه سوم

۱۳۰- تصویر یک مجسمه توسط آینه کروی بر روی پرده‌ای در فاصله 100 cm تشکیل شده است. اگر فاصله مجسمه تا آینه 25 cm باشد، شعاع انحنای آینه چقدر و تصویر چگونه است؟

(۲) 20 cm ، تصویر مستقیم

(۱) -20 cm ، تصویر وارونه

(۴) -40 cm ، تصویر وارونه

(۳) 40 cm ، تصویر مستقیم

