

360

E

نام

نام خانوادگی

محل امضاء

صبح پنجشنبه
۹۲/۱۱/۱۷



جمهوری اسلامی ایران
وزارت علوم، تحقیقات و فناوری
سازمان سنجش آموزش کشور

اگر دانشگاه اصلاح شود مملکت اصلاح می‌شود.
امام خمینی (ره)

آزمون ورودی دوره‌های کارشناسی ارشد ناپیوسته داخل - سال ۱۳۹۳

مهندسی ابزار دقیق و اتوماسیون در صنایع نفت - کد ۱۲۹۰

مدت پاسخگویی: ۲۰۰ دقیقه

تعداد سؤال: ۱۳۰

عنوان مواد امتحانی، تعداد و شماره سؤالات

ردیف	مواد امتحانی	تعداد سؤال	از شماره	تا شماره
۱	زبان عمومی و تخصصی	۳۰	۱	۳۰
۲	ریاضیات مهندسی	۱۵	۳۱	۴۵
۳	کنترل خطی و غیرخطی	۱۵	۴۶	۶۰
۴	ترمودینامیک	۲۰	۶۱	۸۰
۵	مکانیک سیالات و انتقال حرارت	۲۰	۸۱	۱۰۰
۶	مدارهای الکتریکی ۱ و ۲	۱۵	۱۰۱	۱۱۵
۵	الکترونیک ۱ و ۲	۱۵	۱۱۶	۱۳۰

اجزای آزمون:
از ۴ درس
انتخاب ۲ درس

بهمن ماه سال ۱۳۹۲

استفاده از ماشین حساب مجاز نمی‌باشد.

این آزمون دارای نمره منفی است.

Part A: Vocabulary

Directions: Choose the word or the phrase (1), (2), (3), or (4) that best completes each sentence. Then mark your answer sheet.

- 1- Mrs. Harding herself was thin and frail but her son was a _____ sixteen-year-old.
1) unbearable 2) verbose 3) sturdy 4) lethargic
- 2- Some tribes still _____ the more remote mountains and jungles of the country.
1) forego 2) inhabit 3) ensue 4) aggravate
- 3- The _____ of coffee brought Christine into the small cafe.
1) aroma 2) fragility 3) whim 4) badge
- 4- The client _____ our proposal because they found our presentation banal and unimpressive.
1) recognized 2) emulated 3) hailed 4) rejected
- 5- Immediately overcome by _____ for the wrong he had done, I lowered him to the floor and tried to apologize.
1) remorse 2) charity 3) stubbornness 4) esteem
- 6- A health inspector gave _____ instructions on how to correct the problem; we all found out how to handle the situation.
1) perpetual 2) rudimentary 3) explicit 4) trivial
- 7- I _____ the cold I was getting by taking plenty of vitamin C pills and wearing a scarf.
1) vanished 2) squandered 3) forestalled 4) penetrated
- 8- Why would Ian want to claim his inheritance and then give all his money away? It was a _____ to me.
1) riddle 2) peril 3) glory 4) fragment
- 9- He was later accused of writing _____ loan and deposit records, found guilty and sentenced to three years of imprisonment.
1) essential 2) fraudulent 3) vulgar 4) witty
- 10- The question of how the murderer had gained entry to the house _____ the police for several weeks.
1) exhilarated 2) assailed 3) countered 4) perplexed

Part B: Cloze Passage

Directions: Read the following passage and decide which choice (1), (2), (3), or (4) best fits each space. Then mark your answer sheet.

Scuba diving is a form of underwater diving in which a diver uses a self-contained underwater breathing apparatus (scuba) to breathe underwater.

Unlike other modes of diving, (11) _____ rely either on breath-hold or on air pumped from the surface, scuba divers carry their own source of breathing gas, (usually compressed air), (12) _____ greater freedom of movement than with an air line or diver's umbilical and longer underwater endurance than breath-hold. Scuba equipment may be open circuit, in which exhaled gas (13) _____ the surroundings, or closed or semi-closed circuit, (14) _____ is scrubbed to remove carbon dioxide, and (15) _____ replenished from a supply of feed gas before being re-breathed.

- 11- 1) that 2) on which they 3) which 4) they
- 12- 1) allowing them 2) they allow 3) allowed them 4) to allow
- 13- 1) exhausts 2) is exhausted to 3) exhausting 4) be exhausted
- 14- 1) where the gas breathing 2) which breathes the gas
3) the breathing gas which 4) in which the breathing gas
- 15- 1) the oxygen is used 2) the oxygen used is
3) uses the oxygen to be 4) used is the oxygen

PART C: Reading Comprehension

Directions: Read the following three passages and answer the questions by choosing the best choice (1), (2), (3), or (4). Then mark the correct choice on your answer sheet.

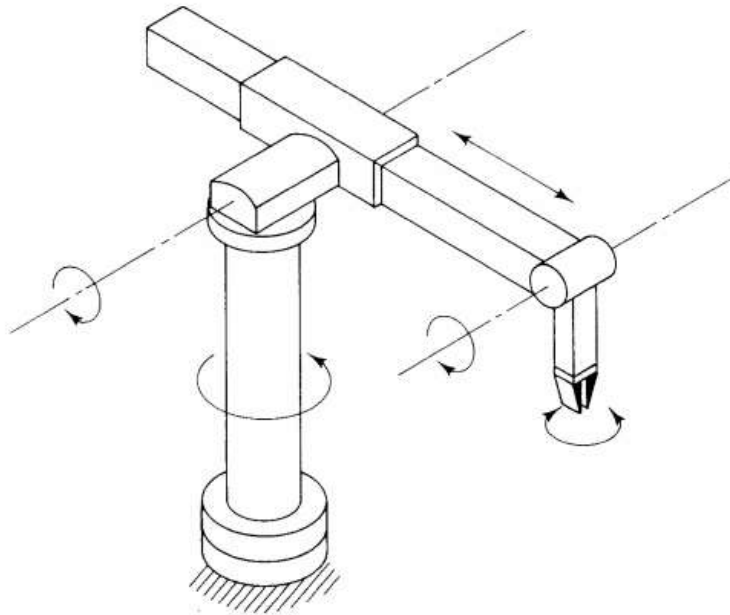
The Nyquist stability criterion, enables us to investigate both the absolute and relative stabilities of linear closed-loop systems from a knowledge of their open-loop frequency-response characteristics. In using this stability criterion, we do not have to determine the roots of the characteristic equation. This is one advantage of the frequency-response approach. Another advantage of this approach is that frequency-response tests are, in general, simple and can be made accurately by use of readily available sinusoidal signal generators and precise measurement equipments. Often the transfer functions of complicated components can be determined experimentally by frequency-response tests. Such experimentally obtained transfer functions can be easily incorporated in the frequency-response approach. Also, the frequency-response methods can be applied to systems that do not have rational functions, such as those with transport lags. In addition, plants with uncertainties or plants that are poorly known can be handled by the frequency-response methods. A system may be designed by use of the frequency-response approach such that the effects of undesirable noises are negligible. Finally, frequency-response analyses and designs can be extended to certain nonlinear control systems. Although the frequency response of a control system presents a qualitative picture of the transient response, the correlation between frequency and transient responses is indirect, except for the case of second-order systems. In designing a closed-loop system, we may adjust the frequency-response characteristic by using several design criteria in order to obtain acceptable transient-response characteristics. In what follows, we shall obtain the relationship between the transfer function and the frequency response of the linear stable system.

- 16- Which of the following statements is wrong about frequency-response methods?**
- 1) These methods can handle plants with uncertainties or plants which are poorly known.
 - 2) these methods cannot be used for systems with transport lags because they do not have rational functions
 - 3) One advantage of these methods is that the roots of the characteristic equation do not have to be determined
 - 4) By using these methods, one can design a system in such a way that the effects of undesirable noises are so small
- 17- What is the main idea of the second paragraph?**
- 1) Frequency and transient responses in second-order systems
 - 2) The design of a closed-loop system and the adjustment of the frequency-response characteristic
 - 3) The overall relationship between frequency response and transient response in a control system
 - 4) The presentation of a qualitative picture of the transient response by the frequency response of a control system

- 18- The underlined "their" in the passage refers to -----
 1) Stability criteria
 2) Linear closed-loop systems
 3) Absolute and relative stabilities
 4) open-loop frequency- response characteristics
- 19- The word "incorporated " in the passage is closest in meaning to -----.
 1) Attached 2) Included 3) Mentioned 4) Obtained
- 20- The term "investigate" in the passage means -----.
 1) Calculate 2) Determine 3) Solve 4) Examine

In this section we shall discuss robot-arm systems and their simulators. Robot-arm systems may have a few to several or more degrees of freedom depending on their configurations. A schematic diagram of a simple robot-arm system is shown in Figure 2-28. In a robot-arm system, if the grasping force of the robot hand is too small, the robot hand will drop the mechanical object, and if it is too great, the hand may damage or crush the object. Thus, robot hands must have touch-sensing devices and slip-sensing devices. In addition, the robot hands must have force-sensing devices. Semiconductor strain gauges are frequently used for force-sensing purposes. Such a strain gauge transforms force into a voltage that is proportional to deflection. For the slip-sensing device, one approach is to attach a roller device to the contact surface. Slipping is measured by the rotation angle of the roller.

Robot-arm systems are controlled by digital controllers. For satisfactory computer control, we must have an accurate mathematical model of the robot-arm system. Since most robot-arm systems involve many joints and extendable links, it is not a simple matter to determine which joints must be rotated and which links must be extended to bring the hand to a desired location and orientation. To compute the location and orientation of the hand, it is necessary to know the amounts of rotations and linear movements involved in the various components of the robot-arm system.



- 21- According to the passage above, which statement is wrong?
- 1) The degrees of freedom in robot-arm systems determine their configurations.
 - 2) The robot hand must exert the right amount of grasping force to hold an object properly
 - 3) Three types of sensing devices are required for robot hands to have satisfactory performance.
 - 4) Due to the great numbers of joints and extendable links, it is difficult to specify the rotation of joints and the extension of links for the movement of the robot hand to the right place and towards the right direction.
- 22- Which statement below is not true about strain gauges?
- 1) They are semiconductor gauges
 - 2) They are often used in force- sensing devices
 - 3) A voltage is changed into force by these gauges.
 - 4) The voltage in these gauges is directly proportional to deflection
- 23- The most suitable title for this passage is -----
- 1) robot- arm systems
 - 2) robot-arm freedom
 - 3) robot-arm structure
 - 4) robot-arm configurations
- 24- The underlined "it" in the passage refers to ----- "
- 1) The robot hand
 - 2) A robot-arm system
 - 3) The mechanical object
 - 4) The grasping force
- 25- The term "accurate" in the passage is closest in meaning to -----.
- 1) Near
 - 2) Precise
 - 3) Rough
 - 4) Systematic

Closed-loop versus Open-loop Control Systems. An advantage of the closed-loop control system is the fact that the use of feedback makes the system response relatively insensitive to external disturbances and internal variations in system parameters. It is thus possible to use relatively inaccurate and inexpensive components to obtain the accurate control of a given plant, whereas doing so is impossible in the open-loop case.

From the point of view of stability, the open-loop control system is easier to build because system stability is not a major problem. On the other hand, stability *is* a major problem in the closed-loop control system, which may tend to overcorrect errors that can cause oscillations of constant or changing amplitude.

It should be emphasized that for systems in which the inputs are known ahead of time and in which there are no disturbances it is advisable to use open-loop control. Closed-loop control systems have advantages only when unpredictable disturbances and/or unpredictable variations in system components are present. Note that the output power rating partially determines the cost, weight, and size of a control system. The number of components used in a closed-loop control system is more than that for a corresponding open-loop control system. Thus, the closed-loop control system is generally higher in cost and power. To decrease the required power of a system, open-loop control may be used where applicable. A proper combination of open-loop and closed-loop controls is usually less expensive and will give satisfactory overall system performance.

- 26- Which statement below is true about the passage above?
- 1) It lists the advantages of closed-loop control systems over open-loop control systems and explains the reasons why closed-loop control systems are better
 - 2) It presents a comparison between closed-loop and open-loop control systems and discusses the conditions under which the use of one type of control system is preferable.
 - 3) It mainly shows the disadvantages of closed-loop and open-loop control systems, and offers alternative control systems to be used instead of these two types of control system.
 - 4) It discusses the strong points of open-loop control systems as opposed to closed-loop control systems and gives reasons for the overall priority of open-loop control systems over closed-loop control systems.
- 27- How many advantages are mentioned for open-loop control systems in the passage?
- 1) five
 - 2) four
 - 3) three
 - 4) two
- 28- The passage above concludes that -----.
- 1) There are cases in which the use of both closed- loop and open-loop control systems may be possible
 - 2) The closed-loop control systems have many problems and it is better to use open-loop control systems.
 - 3) Open- loop control systems may not be applicable in all conditions and the use of closed-loop control systems is more advisable.
 - 4) The use of open-loop and closed-loop control systems together can contribute to lower cost and better operation of the system in general
- 29- The underlined "that" in the passage refers to -----.
- 1) the number of components
 - 2) the number of advantages
 - 3) the number of components used in a closed-loop control system
 - 4) the number of components used in an open-loop control system
- 30- The term "corresponding" in the passage is closest in meaning to -----.
- 1) related
 - 2) complex
 - 3) opposite
 - 4) equivalent

۳۱- اگر سری فوریه تابع تناوبی $f(x) = |\sin x|$, $f(x + 2\pi) = f(x)$ به صورت

$$\frac{2}{\pi} - \frac{4}{\pi} \sum_{n=1}^{\infty} \frac{\cos 2nx}{(2n-1)(2n+1)}$$

باشد، آنگاه مجموع سری عددی

$$\frac{1}{3^2 \times 5^2} + \frac{1}{5^2 \times 7^2} + \frac{1}{7^2 \times 9^2} + \dots$$

کدام است؟

$$\frac{\pi^2 - 8}{16} \quad (۲) \qquad \frac{8 - \pi^2}{16} \quad (۱)$$

$$\frac{88 - 9\pi^2}{144} \quad (۴) \qquad \frac{9\pi^2 - 88}{144} \quad (۳)$$

۳۲- انتگرال فوریه تابع $f(x) = \begin{cases} 9 - x^2, & |x| < 3 \\ 0, & |x| > 3 \end{cases}$ کدام است؟

اطلاعات لازم:

$$\int (a^2 - x^2) \cos bxdx = \frac{a^2 - x^2}{b} \sin bx - \frac{2x}{b^2} \cos bx + \frac{2}{b^3} \sin bx + C$$

$$\int (a^2 - x^2) \sin bxdx = -\frac{a^2 - x^2}{b} \cos bx - \frac{2x}{b^2} \sin bx - \frac{2}{b^3} \cos bx + C$$

$$f(x) = \frac{2}{\pi} \int_0^{\infty} \frac{\sin 3\omega - \omega \cos 3\omega}{\omega^3} \cos \omega x d\omega \quad (۱)$$

$$f(x) = \frac{2}{\pi} \int_0^{\infty} \frac{\sin 3\omega - 3\omega \cos 3\omega}{\omega^3} \cos \omega x d\omega \quad (۲)$$

$$f(x) = \frac{2}{\pi} \int_0^{\infty} \frac{\omega \cos 3\omega - 3 \sin 3\omega}{\omega^3} \cos \omega x d\omega \quad (۳)$$

$$f(x) = \frac{2}{\pi} \int_0^{\infty} \frac{3\omega \cos 3\omega - \sin 3\omega}{\omega^3} \cos \omega x d\omega \quad (۴)$$

۳۳- جواب معادله دیفرانسیل $u_{tt} - 9u_{xx} = 0$ با شرایط $u(x, 0) = \sinh x$ و

$$u_t(x, 0) = \cosh \frac{x}{6} \text{ ، کدام است؟}$$

$$u(x, t) = \sinh x \cosh 3t + 2 \sinh \frac{x}{6} \cosh \frac{t}{2} \quad (1)$$

$$u(x, t) = \cosh x \sinh 3t + 2 \sinh \frac{x}{6} \cosh \frac{t}{2} \quad (2)$$

$$u(x, t) = \cosh x \sinh 3t + 2 \cosh \frac{x}{6} \sinh \frac{t}{2} \quad (3)$$

$$u(x, t) = \sinh x \cosh 3t + 2 \cosh \frac{x}{6} \sinh \frac{t}{2} \quad (4)$$

۳۴- در استفاده از روش ضربی ($u(x, y) = F(x)G(y)$) برای حل معادله

دیفرانسیل $\lambda u_x + 6u_y = 2(x+y)u$ ، کدام است؟

$$f(x) = Ae^{\frac{1}{6}(x^2 + 2kx)} \quad (2) \quad f(x) = Ae^{\frac{1}{6}(x^2 + 2kx)} \quad (1)$$

$$f(x) = Ae^{\frac{1}{\lambda}(x^2 + 2kx)} \quad (4) \quad f(x) = Ae^{\frac{1}{\lambda}(x^2 + 2kx)} \quad (3)$$

۳۵- تغییر متغیر $V = y$ و $Z = xy$ معادله $Au_{xx} + 2Bu_{xy} + Cu_{yy} = 0$ را

به فرم نرمال (کانونی) تبدیل می کند این معادله کدام است؟ (A و B و C توابعی

از x و y هستند.)

$$xu_{xx} - yu_{yy} = 0 \quad (2) \quad xu_{xx} - yu_{xy} = 0 \quad (1)$$

$$xu_{xx} + yu_{yy} = 0 \quad (4) \quad xu_{xx} + yu_{xy} = 0 \quad (3)$$

۳۶- قدر مطلق عدد مختلط $w = \frac{1-t^2 + 2it}{1+t^2}$ ، کدام است؟

$$1 \quad (2) \quad \frac{1}{2} \quad (1)$$

$$\frac{1-t}{2} \quad (4) \quad 1-t \quad (3)$$

۳۷- اگر $f(z) = u(x, y) + iv(x, y)$ یک تابع تحلیلی و $v = x^2 - y^2 + 2y$ ،

آنگاه $f'(i)$ کدام است؟

(۱) $-2(1+i)$ ○

(۲) $2(1+i)$ ○

(۳) $2(1-i)$ ○

۳۸- مجموعه نقاطی که تابع $f(z) = \text{Ln}(iz^2 + 2 - i)$ در آن‌ها تحلیلی نمی‌باشد،

کدام است؟

(۱) $\{(x, y) \in \mathbb{R}^2 \mid xy \leq 1, x^2 - y^2 = 1\}$

(۲) $\{(x, y) \in \mathbb{R}^2 \mid xy \geq 1, y^2 - x^2 = 1\}$

(۳) $\{(x, y) \in \mathbb{R}^2 \mid xy \geq 1, x^2 - y^2 = 1\}$

(۴) $\{(x, y) \in \mathbb{R}^2 \mid xy \leq 1, y^2 - x^2 = 1\}$

۳۹- سری لوران تابع $f(z) = \frac{z^3}{z^2 + z - z^2}$ در ناحیه $1 < |z| < 2$ ، کدام است؟

(۱) $f(z) = \sum_{n=0}^{\infty} (-1)^n \frac{1}{z^{n+1}} + \sum_{n=0}^{\infty} \frac{z^n}{2^n}$

(۲) $f(z) = \sum_{n=0}^{\infty} \frac{1}{z^{n+1}} + \sum_{n=0}^{\infty} \frac{(-1)^n z^n}{2^n}$

(۳) $f(z) = \sum_{n=0}^{\infty} \frac{1}{z^{n+1}} + \sum_{n=0}^{\infty} \frac{(-1)^n z^n}{2^{n+1}}$

(۴) $f(z) = \sum_{n=0}^{\infty} \frac{(-1)^n}{z^{n+1}} + \sum_{n=0}^{\infty} \frac{z^n}{2^{n+1}}$

۴۰- مانده تابع $f(z) = (z^2 - 5z + 6)e^{\frac{1}{z-2}}$ در $z = 2$ ، کدام است؟

(۱) -1 ○

(۲) $-\frac{1}{3}$ ○

(۳) $\frac{1}{3}$ ○

(۴) 1 ○

۴۱- نقاط ثابت (Fixed points) تابع $f(z) = \frac{z+2+2i}{(1-i)z-1-2i}$ کدام است؟

(۱) $-i \pm \sqrt{-1+2i}$ (۲) $-i \pm \sqrt{1+2i}$

(۳) $i \pm \sqrt{-1+2i}$ (۴) $i \pm \sqrt{1+2i}$

۴۲- اگر z نقطه‌ای در درون دایره $x^2 + y^2 - 2x - 2y - 2 = 0$ باشد، آنگاه:

(۱) $e^{-3} < |e^z| < e^{-1}$ (۲) $e^{-1} < |e^z| < e$

(۳) $e^{-1} < |e^z| < e^3$ (۴) $e < |e^z| < e^3$

۴۳- مقدار $\oint_C \frac{\cos z}{e(z-\frac{\pi}{4})^3} dz$ کدام است وقتی که C دایره‌ای $|z-\frac{\pi}{4}|=1$ است که

در خلاف حرکت عقربه‌های ساعت جهت‌برگزاری شده است؟

(۱) $-\frac{i\pi}{\sqrt{2}}$ (۲) $-\sqrt{2}\pi i$

(۳) $\frac{i\pi}{\sqrt{2}}$ (۴) $\sqrt{2}\pi i$

۴۴- مقدار $\oint_C \frac{\sinh z}{z^2 + \frac{\pi^2}{4}} dz$ کدام است وقتی که $C: |z-\frac{\pi}{4}i|=1$ دایره‌ای باشد که

در خلاف حرکت عقربه‌های ساعت جهت‌گذاری شده است؟

(۱) 2 (۲) 2π

(۳) $2i$ (۴) πi

۴۵- نگاشت $w = \frac{1}{1-z}$ ناحیه $\{z = x + iy \mid x < 1\}$ را به کدام ناحیه در صفحه

w می‌نگارد؟

(۱) $u \geq 0, -\infty < v < \infty$ (۲) $v > 0, -\infty < u < \infty$

(۳) $v \geq 0, -\infty < u < \infty$ (۴) $u > 0, -\infty < v < \infty$

۴۶- در یک سیستم حلقه بسته با فیدبک واحد منفی، تابع تبدیل حلقه باز به صورت

$$\frac{k}{s(s^2 + 7s + 15)}$$

می باشد. حداکثر خطای حالت دائم به ورودی شیب واحد در

حالتی که سیستم فوق میرا باشد، کدام است؟

$\frac{81}{55}$ (۲)	$\frac{3}{5}$ (۱)
$\frac{5}{3}$ (۴)	$\frac{55}{81}$ (۳)

۴۷- به منظور کنترل یک کوره که تابع تبدیل آن به شکل $\frac{a^2}{s(s+a)}$ می باشد از

فیدبک واحد منفی استفاده می کنیم. اگر پارامتر a ، ۱۰ درصد تغییر کند،

ماکزیمم فراجهدش چند درصد تغییر خواهد کرد؟

۳۳ (۲)	صفر (۱)
۴ نمی توان تعیین کرد. (۴)	۶۷ (۳)

۴۸- سیستم کنترل حلقه بسته، آنتن یک رادار ردیاب را به سمت هدف متحرک نگه

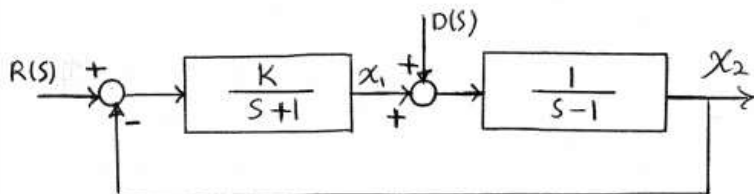
می دارد. سیستم باید قادر باشد هدف را که در یک خط راست با سرعت

$200 \frac{m}{sec}$ حرکت می کند با حداکثر خطای ماندگار $1/deg$ دنبال نماید. اگر

کوتاهترین فاصله آنتن و هدف $200m$ باشد، ثابت خطای k_v چقدر است؟

۲۰۰ (۲)	۴۵ (۱)
۲۰۰۰ (۴)	۴۵۰ (۳)

۴۹- معادلات حالت سیستم زیر کدام است؟



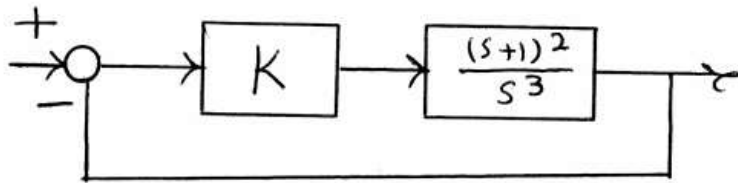
$$\dot{x} = \begin{bmatrix} -1 & -k \\ 1 & 1 \end{bmatrix} x + \begin{bmatrix} 1 & 0 \\ k & 1 \end{bmatrix} \begin{bmatrix} r \\ d \end{bmatrix} \quad (1)$$

$$\dot{x} = \begin{bmatrix} -1 & -k \\ 1 & 1 \end{bmatrix} \dot{x} + \begin{bmatrix} k & 0 \\ 0 & 1 \end{bmatrix} \begin{bmatrix} r \\ d \end{bmatrix} \quad (2)$$

$$\dot{x} = \begin{bmatrix} -1 & -k \\ 1 & 1 \end{bmatrix} x + \begin{bmatrix} k & 1 \\ 1 & 0 \end{bmatrix} \begin{bmatrix} r \\ d \end{bmatrix} \quad (3)$$

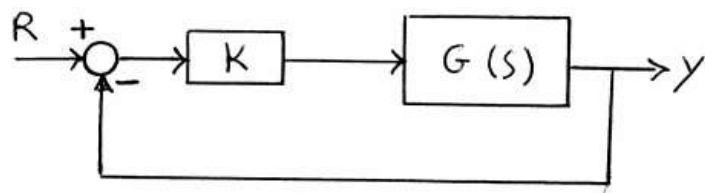
$$\dot{x} = \begin{bmatrix} -1 & 1 \\ 1 & -k \end{bmatrix} x + \begin{bmatrix} k & 0 \\ 0 & 1 \end{bmatrix} \begin{bmatrix} r \\ d \end{bmatrix} \quad (4)$$

- ۵۰- در سیستم کنترلی زیر، یکی از قطب‌های سیستم حلقه بسته در $-\frac{1}{4}$ قرار دارد. در مورد پایداری سیستم حلقه بسته چه اظهار نظری می‌توان کرد؟



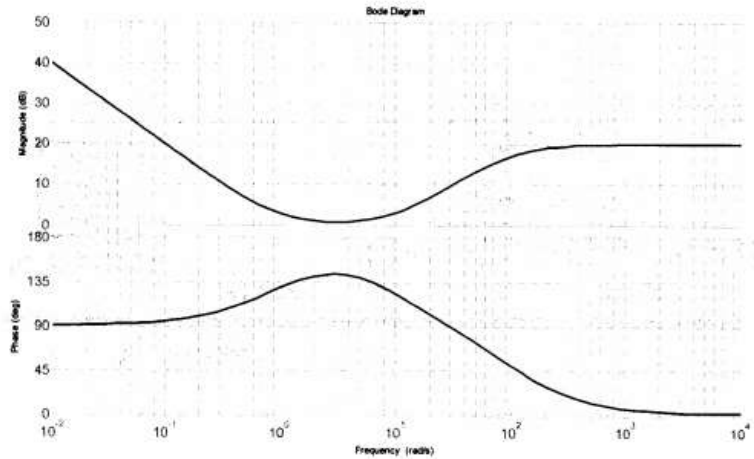
- (۱) پایدار است.
 (۲) ناپایدار است.
 (۳) پایدار مرزی است.
 (۴) با k نامعلوم نمی‌توان در مورد پایداری سیستم اظهار نظر کرد.
- ۵۱- سیستم فیدبک واحد زیر و جدول راث متناظر آن را در نظر بگیرید. حد بهره سیستم به ازاء $k = 20$ کدام است؟ همه ضرائب جدول قبل از سطر s^2 مثبت می‌باشند.

s^n	x	...	x	...	x
\vdots					
s^2	10		k		
s^1	60	-6k	0		
s^0	k				

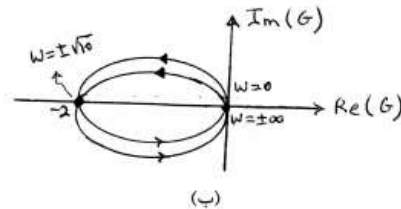
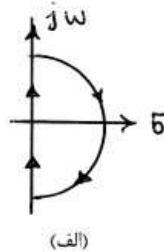


- (۱) ∞
 (۲) 6dB
 (۳) 0
 (۴) -6dB

۵۲- منحنی پاسخ فرکانسی یک سیستم، شامل اندازه و فاز در شکل زیر رسم شده است، کدام گزینه صحیح است؟

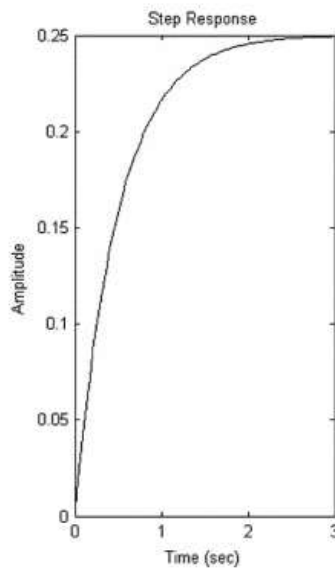
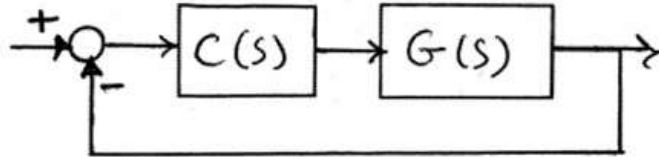


۵۳- (۱) سیستم فاقد صفر ناپایدار است. (۲) سیستم فاقد قطب ناپایدار است.
(۳) $k_v = 20$ (ثابت خطای سرعت) (۴) $k_v = 10$ (ثابت خطای سرعت)
در سیستمی با فیدبک منفی برای تعیین پایداری سیستم از معیار نایکوئیست استفاده شده است و برای مسیر بسته Γ نشان داده شده در شکل الف دیاگرام ب به دست آمده است. در صورتی که بدانیم سیستم حلقه بسته پایدار است، در این صورت سیستم حلقه باز:

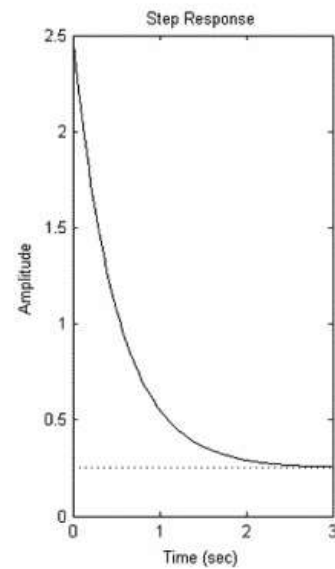


(۱) یک صفر در مبدأ و دو قطب سمت راست دارد.
(۲) دو صفر سمت راست دارد، پایدار است.
(۳) یک صفر در مبدأ دارد و پایدار است.
(۴) یک صفر در مبدأ دارد ولیکن در مورد محل قطب‌های آن نمی‌توان چیزی گفت.

۵۴- اگر پاسخ پله واحد سیستم کنترلی زیر در ابتدا به صورت شکل ۱ باشد انتخاب کدام گزینه می تواند پاسخ پله را به شکل ۲ تبدیل کند؟



شکل ۱



شکل ۲

- (۱) کاهش بهره تناسبی کنترل کننده $C(s)$
- (۲) افزایش بهره تناسبی کنترل کننده $C(s)$
- (۳) افزودن یک انتگرال گیر به کنترل کننده $C(s)$
- (۴) افزودن یک مشتق گیر به کنترل کننده $C(s)$

۵۵- سیستم زیر را در نظر بگیرید: تحت چه شرایطی سیستم رویت پذیر نخواهد بود؟

$$\begin{cases} \dot{x}_1 = 2x_2 \\ \dot{x}_2 = -x_1 - 3x_2 + u \\ y = k_1x_1 + k_2x_2 \end{cases} \quad \begin{aligned} &k_1 = k_2 \quad (1) \\ &k_1 = 2k_2 \quad (2) \\ &k_2 = 3k_1 \quad (3) \\ &(4) \text{ برای هر } k_1 \text{ و } k_2 \text{ ای سیستم رویت پذیر است.} \end{aligned}$$

۵۶- با فرض مثبت بودن l, g, m, k کدام گزینه در مورد تحلیل رفتار سیستم زیر

$$\dot{x}_1 = x_2, \quad \dot{x}_2 = -\frac{g}{l} \sin x_1 - \frac{k}{m} x_2$$

(۱) پایدار سراسری

(۲) ناپایدار سراسری

(۳) به ازای بعضی از مقادیر k پایدار و به ازای بعضی از مقادیر k ناپایدار است.

(۴) اطراف بعضی از نقاط تعادل رفتار پایدار و اطراف بعضی از نقاط تعادل دیگر ناپایدار است.

۵۷- کدام گزینه در مورد پایداری سیستم $\dot{x} = Ax^3$ صحیح است؟

(۱) ناپایدار است.

(۲) با توجه به علامت a می‌تواند پایدار مجانبی یا ناپایدار باشد.

(۳) پایدار است.

(۴) پایدار مرزی است.

۵۸- براساس قضیه لیاپانوف سیستم $\dot{x} = Ax$ پایدار است اگر و تنها اگر برای هر

ماتریس مثبت معین ، یک ماتریس مثبت معین وجود داشته باشد که در معادله صدق کند.

$$A^T P + PA = -Q, \quad Q, P \quad (۲) \quad A^T P + PA = Q, \quad Q, P \quad (۱)$$

$$A^T P + PA = Q, \quad P, Q \quad (۴) \quad A^T P + PA = -Q, \quad P, Q \quad (۳)$$

۵۹- یک سیستم درجه دو در نظر بگیرید که ماتریس A به دست آمده پس از خطی

سازی آن حول نقطه تعادل، دو مقدار ویژه $\lambda_1 < \lambda_2 < 0$ داشته باشد. بردارهای ویژه λ_1 را V_1 و λ_2 را V_2 بنامید. در مورد رفتار این سیستم حول نقطه تعادل کدام یک از گزینه‌های زیر صحیح است؟

(۱) در صفحه فاز نزدیک نقطه تعادل موازی V_2 و در فاصله دور از نقطه تعادل مماس بر V_1 است.

(۲) در صفحه فاز نزدیک نقطه تعادل مسیرها مماس به V_1 و در فاصله دور از نقطه تعادل موازی V_2 است.

(۳) در صفحه فاز نزدیک نقطه تعادل مسیرها مماس V_2 و در فاصله دور از نقطه تعادل سری با V_1 است.

(۴) در صفحه فاز نزدیک نقطه تعادل موازی V_1 و در فاصله دور از نقطه تعادل مماس بر V_2 است.

۶۰- کدام گزینه در مورد رفتار سیستم زیر صحیح است؟

$$\dot{x}_1 = 2x_1 - x_1 x_2 \quad \text{و} \quad \dot{x}_2 = 2x_1^2 - x_2$$

(۱) پایدار محلی است.

(۲) پایدار سراسری است.

(۳) ناپایدار است.

(۴) به ازای شرایط اولیه مختلف رفتار متفاوت از خود نشان می‌دهد.

۶۱- برای یک گاز حقیقی داریم: $Z = 1 + \frac{BP}{RT}$ مقدار حجم مولار این گاز در دمای

200°C و فشار 10 bar چند $\text{cm}^3\text{mol}^{-1}$ است؟

$$B = -388\text{ cm}^3\text{mol}^{-1}, R = 83.14\text{ cm}^3\text{bar mol}^{-1}\text{K}^{-1}$$

۳۹۳۴ (۱) ۳۵۴۶ (۲)

۴۳۲۲ (۳) ۱۲۷۵ (۴)

۶۲- جداول بخار (Steam Tables) در دمای 310°C خواص ترمودینامیکی آب را

$$v_f = 0.00145\frac{\text{m}^3}{\text{kg}} \text{ و } v_g = 0.184\frac{\text{m}^3}{\text{kg}}, P^{\text{sat.}} = 9.865\text{MPa}$$

بدست می‌دهند. مخزن صلب سربسته‌ای به حجم 1.5m^3 حاوی 60 kg بخار آب در دمای 310°C می‌باشد. حالت بخار آب و فشار داخل مخزن P ، کدام است؟

(۱) بخار اشباع و $P < 9.865\text{MPa}$

(۲) بخار داغ تک فازی و $P < 9.865\text{MPa}$

(۳) بخار مرطوب با $x = 0.98$ و $P = 9.865\text{MPa}$

(۴) قابل تعیین نیستند چون اطلاعات داده شده کافی نمی‌باشند.

۶۳- برای یک سیستم PVT کدام یک از روابط زیر از نظر ترمودینامیکی غلط بوده و امکان پذیر نیست؟

(۱) $\left(\frac{\partial P}{\partial T}\right)_V = 0$ (۲) $\left(\frac{\partial V}{\partial P}\right)_T < 0$

(۳) $\left(\frac{\partial S}{\partial T}\right)_P > 0$ (۴) $\left(\frac{\partial U}{\partial V}\right)_T = 0$

۶۴- هوا با فشار ۱ بار و دمای 25°C درجه سانتی‌گراد با سرعت کم وارد یک کمپرسور شده و با فشار ۳ بار خارج می‌گردد. هوای فشرده شده سپس از یک نازل گذشته و سرعت آن به 600 متر بر ثانیه (با دما و فشار اولیه) می‌رسد. اگر کار انجام شده در کمپرسور برابر 240 کیلو ژول بر کیلوگرم هوا باشد. مقدار گرمایی که

می‌بایست از کمپرسور خارج شود چند $\left(\frac{\text{kJ}}{\text{kg}}\right)$ است؟

۶۰ (۱) ۱۲۰ (۲)

۲۲۲ (۳) ۲۴۰ (۴)

۶۵- مقدار آنتالپی آب در شرایط اشباع و دمای 100°C درجه سانتیگراد برابر با

$419.17\frac{\text{kJ}}{\text{kg}}$ است. مقدار تقریبی آنتالپی آب در دمای 100°C درجه سانتیگراد و

فشار ۱۵ مگاپاسکال چند $\left(\frac{\text{kJ}}{\text{kg}}\right)$ است؟

۴۱۸ (۱) ۴۲۰ (۲)

۴۲۵ (۳) ۴۳۴ (۴)

۶۶- در یک سیستم سیلندرو پیستون گازی با فشار اولیه 200 کیلوپاسکال و حجم

0.05 متر مکعب تزریق شده است. بر روی پیستون فنری با ثابت $150 \frac{kN}{m}$

متصل شده و در فشار ذکر شده نیرویی به پیستون وارد نمی‌کند. اگر به سیلندر

مذکور حرارت داده شود تا حجم آن دو برابر شود، مقدار کار انجام شده توسط

گاز چند کیلو ژول است؟ (توجه کنید که فنر در برابر افزایش حجم مقاومت کرده

و فشرده خواهد شد. سطح مقطع سیلندر برابر با $25m^2$ است و حرارت

منتقل شده به سیستم، به آرامی فرض گردد.)

$$6 \quad (1) \quad 10 \quad (2)$$

$$13 \quad (3) \quad 20 \quad (4)$$

۶۷- دمای استن مایع در فشار 10 بار از 20 درجه سانتیگراد به 30 درجه سانتیگراد

در فرآیند حجم ثابت افزایش می‌یابد. مقدار فشار نهایی استن چند bar خواهد

$$\text{بود؟ ضریب انبساط حجمی } (\beta) = 1/8 \times 10^{-3} \text{ } ^\circ\text{C}^{-1}$$

$$\text{ضریب تراکم پذیری هم دما } (k) = 6 \times 10^{-5} \text{ bar}^{-1}$$

$$10/018 \quad (1) \quad 10/03 \quad (2)$$

$$290 \quad (3) \quad 310 \quad (4)$$

۶۸- برای یک ماده فرضی β و k به ترتیب برابر با $\frac{a}{v}$ و $\frac{b}{v}$ است، که a و b مقادیر

ثابتی می‌باشند. معادله حالت برای چنین ماده‌ای کدام است؟ (β ضریب انبساط

حجمی و k ضریب تراکم هم دما می‌باشند.)

$$V = aT - bP + \text{constant} \quad (2) \quad V = aT + bP + \text{constant} \quad (1)$$

$$V = bT - aP + \text{constant} \quad (4) \quad V = bT + aP + \text{constant} \quad (3)$$

۶۹- اگر معادله حالت گازی از رابطه $Z = 1 + BP$ تبعیت کند، مقدار کار تحول

ایزوترمال برگشت پذیر آن، کدام است؟

$$RT \ln \frac{P_2}{P_1} \quad (2) \quad RT \ln \frac{P_1}{P_2} \quad (1)$$

$$RT (1 + BP) \ln \frac{P_2}{P_1} \quad (4) \quad RT (1 + BP) \ln \frac{P_1}{P_2} \quad (3)$$

۷۰- مقدار گرمای نهان تبخیر برای تولون در دمای 88 درجه سانتی‌گراد چند (J)

است؟

$$10^3 \quad (2) \quad 300 \quad (1)$$

$$3 \times 10^4 \quad (4) \quad \ln 3 \times 10^3 \quad (3)$$

۷۱- یک یخچال در اطافی با دمای 30°C قرار دارد. دمای داخل یخچال 2°C - و

ضریب کارائی آن برابر ۹ می‌باشد. این یخچال براساس چه سیکلی کار می‌کند؟

$$(1) \text{ سیکل کارنو} \quad (2) \text{ سیکل رانکین}$$

(3) یک سیکل برگشت پذیر (4) چنین یخچالی نمی‌تواند موجود باشد.

- ۷۲- رابطه زیر برای گازها براساس فشار، دما و حجم پیشنهاد گردیده است. مقادیر **a** و **b** براساس دما و فشار بحرانی به ترتیب از راست به چپ، کدام است؟

$$P = \frac{RT}{v-b} - \frac{a}{v^2}$$

$$\frac{RT_c}{4P_c} \text{ و } \frac{27 RT_c}{16 P_c^2} \quad (2) \qquad \frac{1 RT_c}{2 P_c} \text{ و } \frac{27 RT_c}{16 P_c} \quad (1)$$

$$\frac{RT_c}{P_c} \text{ و } \frac{27 R^2 T_c^2}{16 P_c^2} \quad (4) \qquad \frac{1 RT_c}{8 P_c} \text{ و } \frac{27 R^2 T_c^2}{64 P_c} \quad (3)$$

- ۷۳- هوا در فشار ۴ بار و دمای ۱۰۰ درجه سانتی‌گراد از یک شیر نیمه باز عبور داده می‌شود. در صورتی که هوا را گاز ایده‌آل فرض کنیم، از تغییرات انرژی جنبشی در ورودی و خروجی شیر صرف‌نظر کنیم و فشار خروجی هوا از شیر ۲ بار باشد، دمای هوا پس از عبور از شیر چند درجه سانتی‌گراد است؟

$$10 \quad (2) \qquad -86 \quad (1)$$

$$220 \quad (4) \qquad 100 \quad (3)$$

- ۷۴- فوگاسیته یک ماده با رابطه $f = a + bP + cP^2$ بیان می‌شود، ضریب تراکم‌پذیری این ماده کدام است؟

$$\frac{b + 2cP}{P(a + bP + cP^2)} \quad (2) \qquad \frac{b + 2cP}{a + bP + cP^2} \quad (1)$$

$$\frac{bP + 2cP^2}{a + bP + cP^2} \quad (4) \qquad \frac{b + 2cP^2}{a + bP + cP^2} \quad (3)$$

- ۷۵- قانون راتول مقدار فشار یک جزء درون یک مخلوط گازی در حال تعادل با یک ایده‌آل را می‌دهد.

$$(1) \text{ جزئی - گاز} \qquad (2) \text{ بخار - گاز}$$

$$(3) \text{ جزئی - مایع} \qquad (4) \text{ بخار - مایع}$$

- ۷۶- اکتیویته جزء **i** در یک محلول ایده‌آل برابر با کدام است؟

$$(1) \text{ یک} \qquad (2) \text{ جزء مولی جزء } i$$

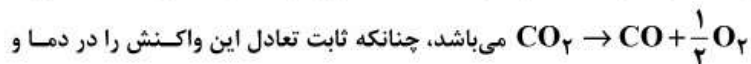
$$(3) \text{ غلظت جزء } i \qquad (4) \text{ هیچ کدام از موارد فوق}$$

- ۷۷- مایع ۱ در فشار یک اتمسفر و دمای مشخص فقط به اندازه یک درصد مولی در مایع ۲ محلول است و ۲ نیز عملاً در ۱ نامحلول است. ضریب اکتیویته جزء ۱ در حلال ۲ چقدر است؟

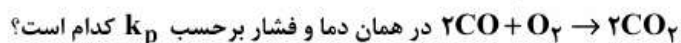
$$100 \quad (1) \qquad 10 \quad (2)$$

$$0.1 \quad (3) \qquad 1 \quad (4)$$

۷۸- واکنش تجزیه گاز دی اکسید کربن در فاز گازی به صورت



می باشد، چنانکه ثابت تعادل این واکنش را در دما و فشار معینی با k_p (برحسب $\text{atm}^{-\frac{1}{2}}$) نشان دهیم. ثابت تعادل واکنش



در همان دما و فشار برحسب k_p کدام است؟

$$(1) \frac{1}{2} k_p^{-\frac{1}{2}} (\text{atm})^{-\frac{1}{2}}$$

$$(2) (k_p)^{-2} (\text{atm})^{-1}$$

$$(3) 2k_p (\text{atm})^{\frac{1}{2}}$$

$$(4) k_p^2 (\text{atm})^2$$

۷۹- برای یک مخلوط دو جزئی، آنتالپی مخلوط به صورت رابطه‌ی

$$\mathbf{H} = 3x_1 + 5x_1x_2$$

بیان می شود. برای خواص مولی جزئی در $x_1 = 0.3$ ، مقدار \bar{H}_1 و \bar{H}_2 به ترتیب از راست به چپ کدام است؟

$$(1) 7/3, 0/45$$

$$(2) 5/3, 2/5$$

$$(3) 0/45, 5/45$$

$$(4) 12/4, 10/3$$

۸۰- گاز کاملی از معادله حالت $V = \frac{RT}{P} + \frac{a}{T^2}$ تبعیت می کند که a یک ضریب ثابت است. معادله ضریب فوگاسیته $\ln \phi$ این گاز کدام است؟

$$(1) \frac{a}{RT^2}$$

$$(2) \frac{aP}{RT^2}$$

$$(3) \frac{aP}{RT^2}$$

$$(4) \frac{RT^2}{aP}$$

۸۱- دو معادله $\tau = a + b\gamma$ ، $\tau = c\gamma^n$ به ترتیب مربوط به کدام یک از سیالات هستند؟ $n < 1$ ، $\gamma = -\frac{du}{dy}$ و a و b و c ضرایب ثابت هستند.

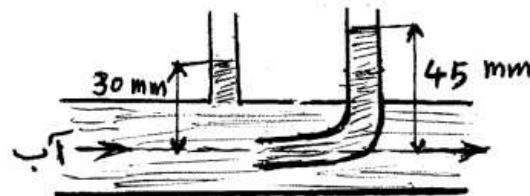
- (۱) بینگهام - شبه پلاستیک
(۲) بینگهام - دایلتنت
(۳) نیوتنی - شبه پلاستیک
(۴) نیوتنی - دایلتنت

۸۲- اگر زاویه‌ای که آب در درون لوله موئینی با شعاع ۱۴۶ میلی‌متر با راستای قائم می‌سازد، ۱۲ باشد در آن صورت میزان ارتفاع آب درون لوله سانتی‌متر می‌رود.

$$\left(\rho = 10^3 \frac{\text{kg}}{\text{m}^3}, g = 10 \frac{\text{m}}{\text{s}^2}, \sigma = 0.073 \frac{\text{N}}{\text{m}} \right)$$

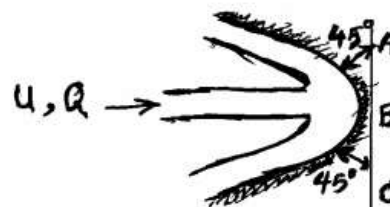
- (۱) ۲/۵ - پایین
(۲) ۲/۵ - بالا
(۳) ۵ - پایین
(۴) ۵ - بالا

۸۳- دبی حجمی آب در درون لوله مقابل تقریباً چند متر مکعب بر ثانیه است؟



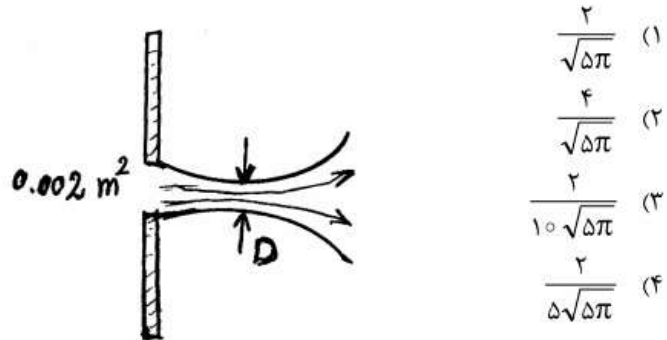
- (۱) ۲
(۲) ۴
(۳) ۵
(۴) ۸

۸۴- جت آب با سرعت u و دبی Q به صفحه ABC برخورد می‌کند و منحرف می‌شود با صرف‌نظر کردن از افت‌ها، نیروی وارد بر صفحه چقدر است؟



- (۱) $2\rho Qu$
(۲) $1.71\rho Qu$
(۳) $2.21\rho Qu$
(۴) هیچکدام

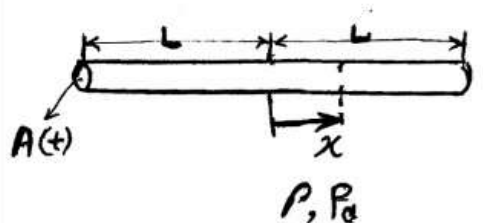
۸۵- سرعت جریان آب خروجی یک تانک از یک اوریفیس که ۵ متر زیر سطح قرار گرفته $9 \frac{m}{s}$ سطح مقطع اوریفیس 9 m^2 و ضریب تخلیه ۰٫۸ می باشد قطر (D) انقباض ونا (vena contracta) چند متر است؟ ($g = 10 \text{ m/s}^2$)



۸۶- اگر تنش برشی روی دیواره و افت فشار در داخل لوله‌ای بطول 20 m به ترتیب برابر با 4 Pa و 8 kPa باشد، چند سانتی‌متر است؟

- (۱) ۱
(۲) ۲
(۳) ۴
(۴) ۶

۸۷- یک لوله کوچک به طول $2L$ درون سیالی با دانسیته ρ و فشار P_a غوطه‌ور باشد. دو سر این لوله باز و پر از سیال می باشد. این لوله از مواد پیزو الکتریک ساخته شده و دارای سطح مقطع A می باشد. در اثر اعمال یک ولتاژ الکتریکی به این لوله، سطح مقطع آن تغییر می یابد. فرض کنید با اعمال ولتاژ مناسب سطح مقطع لوله $A(t)$ کاهش می یابد. در صورتیکه سیال تراکم ناپذیر و غیرویسکوز باشد سرعت جریان سیال در مقطع x چقدر است؟ (G مقدار ثابت است).



(۱) $u = -\frac{1}{A} \frac{dA}{dt} x$

(۲) $u = \frac{G}{4\mu} (a^2 - r^2)$

(۳) $u = \frac{-1}{4\mu} \frac{dP}{dx} (a^2 x + rx^2)$

(۴) $u = \frac{G}{4\mu} (a - r)$

۸۸- معادله خطوط جریان میدانی که مؤلفه‌های سرعت آن به صورت زیر می‌باشد، کدام است؟ $\omega = \omega_0$, $v = \Omega x$, $u = -\Omega y$ و α و Ω , ω_0 مقادیر ثابت می‌باشند.

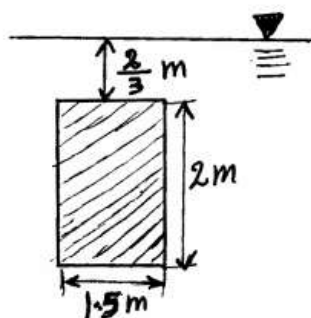
$$(1) \quad y = ax + z \frac{\Omega}{\omega_0}$$

$$(2) \quad x^2 + y^2 = a^2, \quad x = a \sin\left(\frac{\Omega z}{\omega_0} + \alpha\right)$$

$$(3) \quad \omega_0 x^2 + y^2 = \frac{(z\Omega)^2}{\omega_0}$$

$$(4) \quad \omega_0 x^2 + y^2 = \frac{(z\Omega)^2}{\omega_0}$$

۸۹- اگر مطابق شکل لبه بالایی ورق $\frac{2}{3}m$ زیر سطح آب قرار گرفته باشد، عمق مرکز فشار ورق عمودی چند متر است؟



$$(1) \quad \frac{13}{15}$$

$$(2) \quad \frac{7}{6}$$

$$(3) \quad 1$$

$$(4) \quad \frac{28}{15}$$

۹۰- پروفیل سرعت زیر در لایه مرزی برای حرکت سیال روی یک صفحه تخت پیشنهاد شده است. مقادیر ثابت C_1 , C_2 , C_3 این معادله به ترتیب از راست به

$$\frac{u}{U} = C_1 + C_2 \left(\frac{y}{\delta}\right) + C_3 \left(\frac{y}{\delta}\right)^2$$

$$(1) \quad +1, 0, -1$$

$$(2) \quad -1, 0, +1$$

$$(3) \quad +1, -2, 1$$

$$(4) \quad -1, 0, +2$$

۹۱- سیالی با شدت جریان $\frac{5}{s} \text{ kg}$ از لوله‌ای صاف با قطر داخلی 5 cm و طول

20 m به جریان درمی‌آید. دمای ورودی سیال 10°C و دمای دیواره لوله در کل طول لوله 10°C بالاتر از دمای سیال است.

دمای خروجی سیال چقدر است؟

$$C_p = 4000 \frac{\text{J}}{\text{kg} \cdot ^\circ \text{C}}, \quad R_e = 200000, \quad \bar{h} = 2000 \frac{\text{W}}{\text{m}^2 \cdot ^\circ \text{C}}$$

$$(1) \quad 31/4$$

$$(2) \quad 41/4$$

$$(3) \quad 51/4$$

$$(4) \quad 61/4$$

۹۲- برای یک سیال $P_r = 8$ می‌باشد. اگر سیال در تمام طول صفحه‌ای که از روی آن می‌گذرد گرم شود. نسبت ضخامت لایه مرزی حرارتی به ضخامت لایه مرزی هیدرودینامیکی چقدر است؟

- (۱) ۲۵ /
(۲) ۳۵ /
(۳) ۴۹ /
(۴) ۶۵ /

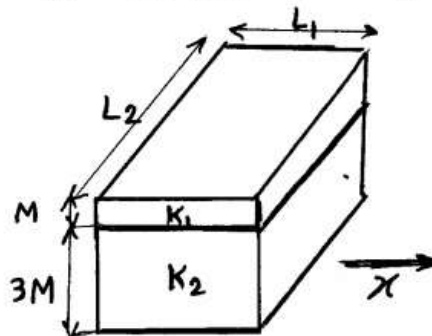
۹۳- لوله‌ای با قطر خارجی 5 cm و ضریب هدایتی $K = 15 \frac{W}{m.K}$ توسط عایقی با ضریب هدایتی $K = 0.4 \frac{W}{m.K}$ پوشانده شده است. اگر ضریب انتقال حرارت جابجایی محیط $h = 10 \frac{W}{m^2.K}$ باشد، برای اینکه شدت انتقال حرارت به حداکثر مقدار خود برسد، ضخامت عایق چند سانتی‌متر است؟

- (۱) ۱/۵
(۲) ۲/۵
(۳) ۵
(۴) ۱۲/۵

۹۴- در یک میله مسی با مقطع مربع به ضلع 2 سانتی‌متر حرارت با شدت $40 \frac{MW}{m^3}$ تولید می‌شود. میله در معرض محیطی با شرایط جابجایی $20^\circ C$ و ضریب انتقال حرارت $4000 \frac{W}{m^2.C}$ قرار دارد. درجه حرارت سطح میله بر حسب درجه سانتی‌گراد کدام است؟

- (۱) ۵۰
(۲) ۶۵
(۳) ۷۰
(۴) ۷۵

۹۵- با توجه به شکل، کدام عبارت نشان‌دهنده مقاومت حرارتی در جهت x می‌باشد؟



$$(L_2 = 2L_1)$$

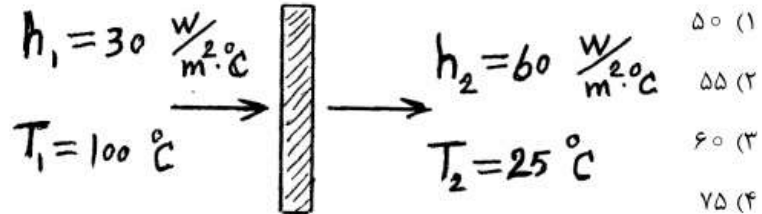
$$\frac{L_1 + L_2}{2M(K_1 + 2K_2)} \quad (1)$$

$$\frac{1}{2M(K_1 + 2K_2)} \quad (2)$$

$$\frac{2M(K_1 + K_2)}{K_1 K_2} \quad (3)$$

$$\frac{L_1 L_2}{2M(K_1 + K_2)} \quad (4)$$

۹۶- ورقه نازکی از جنس آلومینیم بین دو محیط با شرایط زیر قرار گرفته است. دمای این ورقه آلومینیومی در حالت پایدار چند درجه سانتی‌گراد است؟

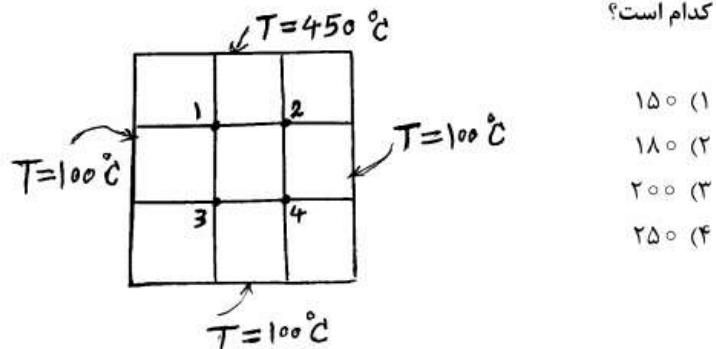


۹۷- اگر دو جسم جامد در تماس با یکدیگر باشند، کدام عامل بیانگر مقاومت اصلی در مقابل جریان انتقال حرارت است؟

- (۱) ضریب هدایت حرارتی اجسام جامد
 - (۲) هدایت جامد به جامد در نقاط تماس
 - (۳) ضریب انتقال حرارت جابجایی گازهای محبوس
 - (۴) هدایت از طریق گازهای محبوس در فضاهای خالی ایجاد شده توسط اتصال
- ۹۸- اگر سیالی به صورت جریان آرام از روی سطح صافی عبور کند، اگر دمای سطح ثابت فرض شود، ضریب انتقال حرارت در وسط صفحه از ضریب انتقال حرارت در ابتدای صفحه است.

- (۱) بیشتر
- (۲) کمتر
- (۳) برابر
- (۴) با توجه به نوع سیال کمتر یا بیشتر و یا برابر

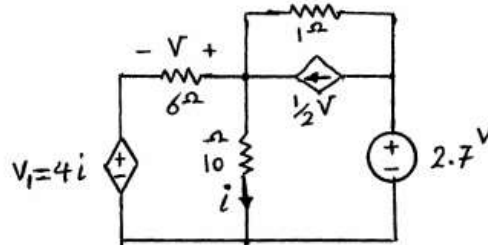
۹۹- در شکل روبه‌رو، اگر دمای گره‌های ۱ و ۲ برابر $25 C$ باشد، دمای گره ۳ برابر کدام است؟



۱۰۰- یک گلوله فلزی به قطر ۵ cm و دمای $5 C$ در مسیر یک سیال با دمای $10 C$ قرار دارد. اگر ضریب هدایتی سیال $10 \frac{W}{m.C}$ و مقدار عدد ناسلت برابر ۲ باشد، شدت انتقال حرارت در واحد سطح این کره برابر چند $(\frac{W}{m^2})$ است؟

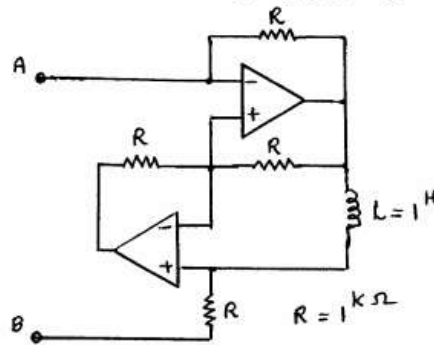
- ۱۵۰۰۰ (۱)
- ۱۶۰۰۰ (۲)
- ۱۸۰۰۰ (۳)
- ۲۰۰۰۰ (۴)

۱۰۱- در مدار شکل مقابل توان منبع ولتاژ وابسته V_1 چند وات است؟



- (۱) ۳
(۲) ۳۶
(۳) ۱/۲
(۴) ۳/۰

۱۰۲- در مدار مقابل، مدار معادل دیده شده در سرهای A و B چقدر است؟
(تقویت کننده‌های عملیاتی ایده آل هستند)



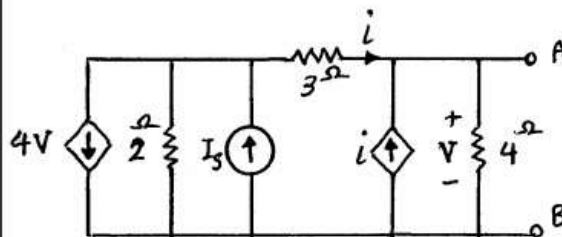
(۱) خازنی با ظرفیت منفی یک میکروفاراد ($C_{eq} = -1 \mu F$)

(۲) خازنی با ظرفیت یک میکروفاراد ($C_{eq} = +1 \mu F$)

(۳) سلفی با اندوکتانس منفی یک میلی هانری ($L_{eq} = -1 \text{ mH}$)

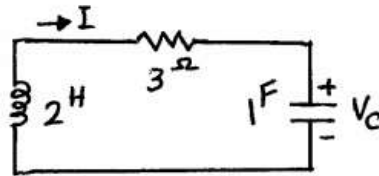
(۴) سلفی با اندوکتانس یک میلی هانری ($L_{eq} = +1 \text{ mH}$)

۱۰۳- در مدار معادل تونن دیده شده در سرهای A و B ولتاژ تونن V_{th} و مقاومت تونن R_{th} بترتیب از راست به چپ چند ولت و اهم است؟



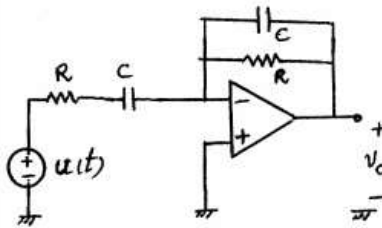
- (۱) $\frac{9}{25}, \frac{24}{25}$
(۲) $\frac{24}{25}, \frac{9}{25} I_s$
(۳) $\frac{4}{231}, \frac{22}{231} I_s$
(۴) $\frac{60}{231}, \frac{48}{231} I_s$

۱۰۴- در مدار شکل مقابل $I(t)$ چند آمپر باشد که در پاسخ ورودی صفر $V_C(t)$ فقط یک فرکانس طبیعی ظاهر شود؟ $(V_C(0) = 10V)$



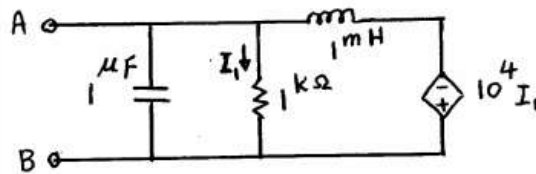
- ۵ (۱)
- ۲ (۲)
- ۲ (۳)
- ۵ (۴)

۱۰۵- در مدار مقابل پاسخ پله $V_o(t)$ کدام گزینه است؟
(کیلو اهم $R = 1 k\Omega$ ، میکرو فاراد $C = 1000 \mu F$)



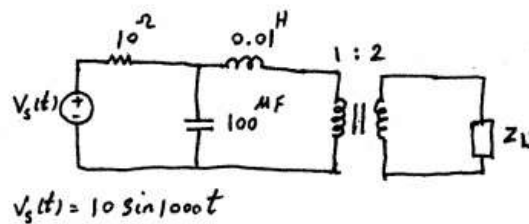
- (۱) $k(t-1)e^{-t}u(t)$
- (۲) $kte^{-t}u(t)$
- (۳) $(k_1e^{-t} + k_2te^{-2t})u(t)$
- (۴) $(k_1e^{-t} + k_2e^{-2t})u(t)$

۱۰۶- فرکانس تشدید ω_0 برای مدار شکل مقابل چند رادیان بر ثانیه است؟



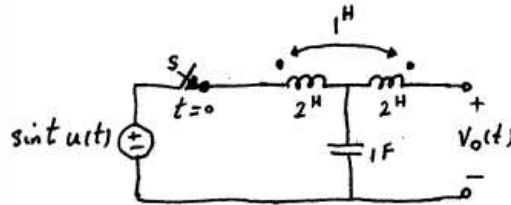
- (۱) 3×10^4
- (۲) 3×10^5
- (۳) $\sqrt{110} \times 10^4$
- (۴) $\sqrt{110} \times 10^5$

۱۰۷- در مدار شکل مقابل برای آن که حداکثر توان منبع به آن برسد، Z_L بر حسب اهم کدام است؟



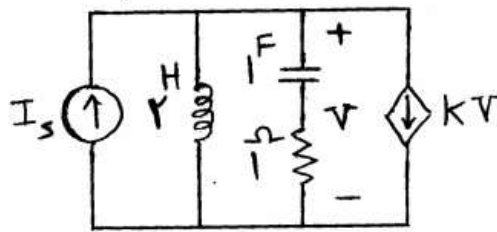
- (۱) $5 - j5$
- (۲) $5 + j5$
- (۳) $20 - j20$
- (۴) $20 + j20$

۱۰۸- در مدار شکل مقابل $V_o(s)$ کدام است؟ کلید S در $t = 0$ بسته می شود.



- (۱) $\frac{1}{s^2 + 1}$
 (۲) $\frac{1}{2s + 1}$
 (۳) $\frac{s + 1}{2s^2 + 1}$
 (۴) $\frac{1}{(s^2 + 1)(2s^2 + 1)}$

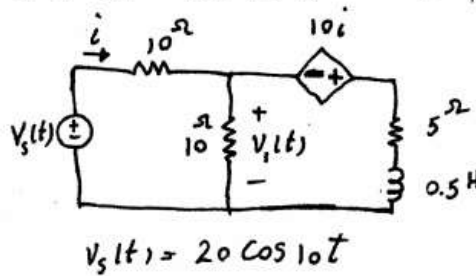
۱۰۹- مدار شکل مقابل به ازای چه مقداری از k نوسان می کند؟ فرکانس این نوسان



چند رادیان بر ثانیه است؟

- (۱) ۱, -۱
 (۲) ۴, -۱
 (۳) ۱, - $\frac{1}{2}$
 (۴) ۴, ۱

۱۱۰- در مدار شکل مقابل، ولتاژ $v_1(t)$ در حالت دائمی سینوسی بر حسب ولت چقدر



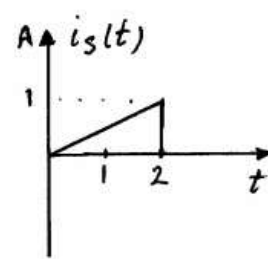
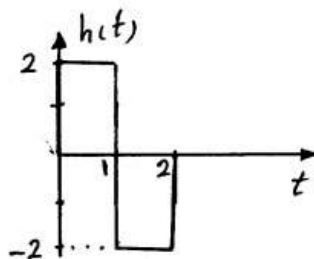
است؟

- (۱) $5 \cos(10t + 45^\circ)$
 (۲) $5 \cos(10t + 90^\circ)$
 (۳) $10 \cos(10t + 45^\circ)$
 (۴) $10 \cos(10t + 90^\circ)$

$$v_s(t) = 20 \cos 10t$$

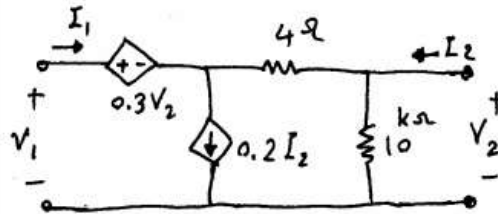
۱۱۱- پاسخ ضربه $h(t)$ و ورودی $i_s(t)$ مداری بشکل زیر است. پاسخ حالت صفر این

مدار در زمان (ثانیه $t = 2,5$) چقدر است؟



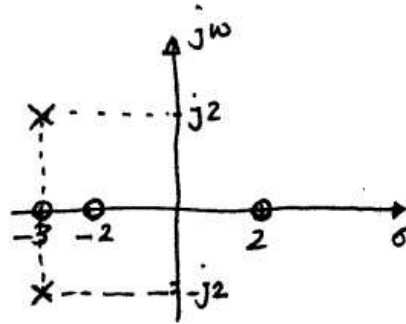
- (۱) ۰,۲۵
 (۲) ۰,۱۲۵
 (۳) ۰,۲۵
 (۴) ۰,۵

۱۱۲- در مدار دو قطبی شکل مقابل پارامترهای هیبرید h_{11}, h_{22} بترتیب چند اهم و چند زیمنس می‌باشند؟



- (۱) 2 و 0.8×10^{-4}
 (۲) 5 و 0.8×10^{-4}
 (۳) 2 و 1.25×10^{-4}
 (۴) 5 و 1.25×10^{-4}

۱۱۳- نمودار صفر و قطب شکل مقابل به تابع شبکه $H(s)$ مربوط است. اگر $H(3) = 3$ باشد مقدار $H(\infty)$ و $H(0)$ بترتیب چقدر است.



- (۱) $0, -\frac{48}{13}$
 (۲) $0, -\frac{36}{13}$
 (۳) $\infty, -\frac{48}{13}$
 (۴) $\infty, -\frac{36}{13}$

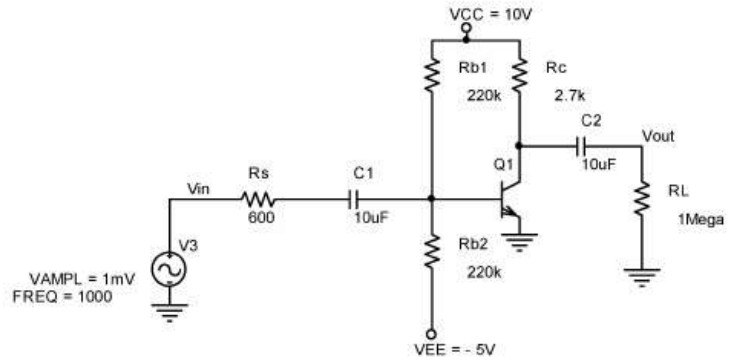
۱۱۴- پارامترهای ادمیتانس یک مدار دو قطبی بصورت $y_{11} = 10^{-3} \text{ms}$, $y_{12} = -10^{-3} \text{ms}$ است اگر یک مقاومت 300Ω با یکی از دو سر ورودی سری شود، پارامترهای y_{11} و y_{12} جدید بر حسب میلی زیمنس به ترتیب کدام است؟

- (۱) $2.5, -2.5$
 (۲) $10, 2.5$
 (۳) $10, 40$
 (۴) $40, -40$

۱۱۵- یک مدار دو قطبی که در آن $H = \begin{bmatrix} \alpha & 0 \\ 0 & -\alpha \end{bmatrix}$ باشد، فقط مدل را ندارد؟

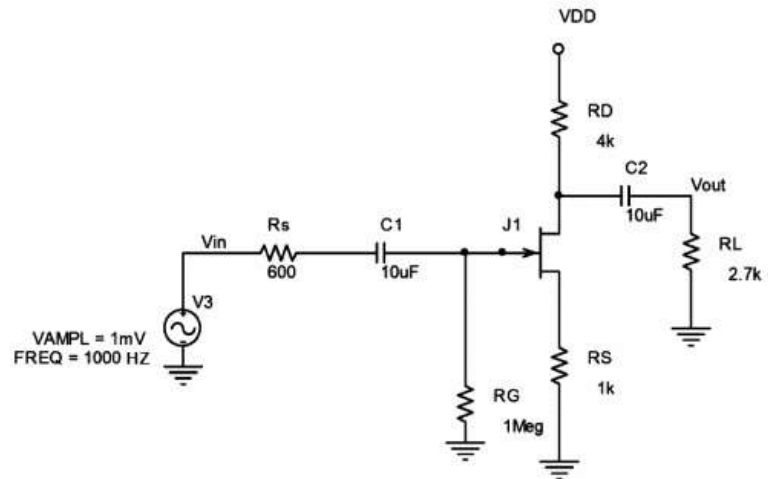
- (۱) T
 (۲) Y
 (۳) Z
 (۴) Y و Z

- ۱۱۶- در شکل زیر بهره ولتاژ $\frac{V_{out}}{V_{in}}$ به کدام گزینه نزدیکتر است؟
($V_{beq} = 0.7V$, $h_{fe} = B_{dc} = 120$, $h_{oe} = 0$, $h_{re} = 0$)



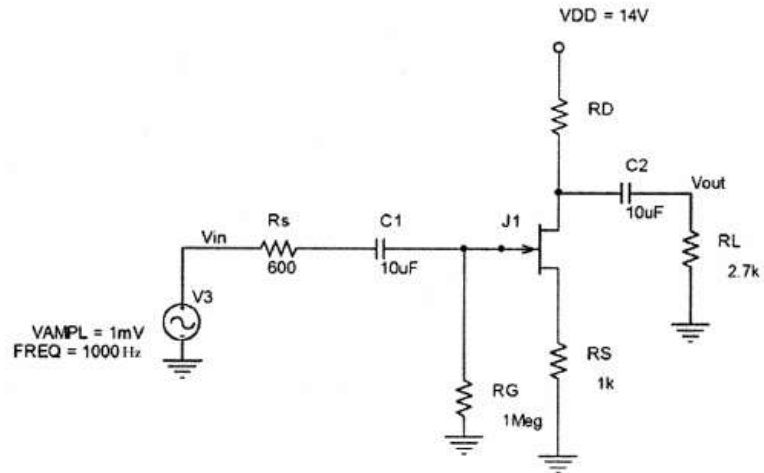
- (۱) ۹-
(۲) ۱۱-
(۳) ۱۳-
(۴) ۱۵-

- ۱۱۷- در شکل زیر حداقل مقدار ولتاژ VDD برای آنکه ترانزیستور JFET در ناحیه اشباع (Pinch off) عمل نماید. به کدام گزینه برحسب ولت نزدیکتر است؟
($v_p = -4V$, $I_{DSS} = 8mA$)



- (۱) ۹
(۲) ۱۲
(۳) ۱۱
(۴) ۱۰

۱۱۸- در شکل زیر حداکثر مقدار مقاومت R_D برای آنکه ترانزیستور JFET در ناحیه اشباع (Pinch off) عمل نماید، به کدام گزینه برحسب کیلو اهم نزدیکتر است؟
($V_p = -4V$, $I_{DSS} = 8mA$)



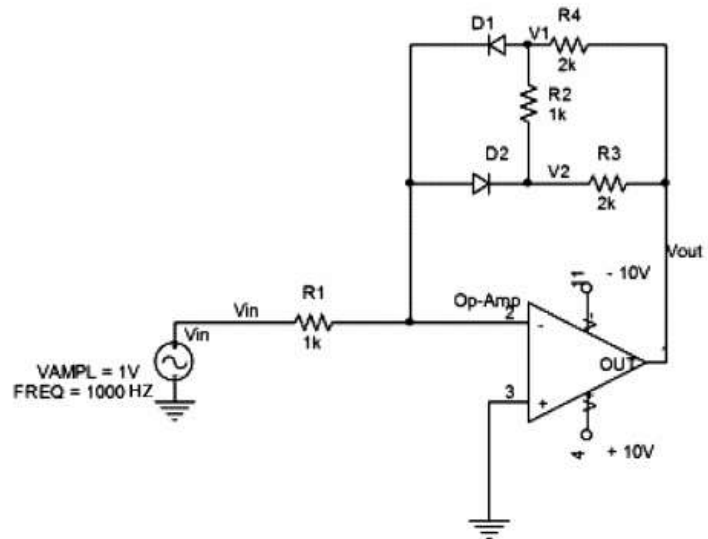
۷ (۲)

۶ (۱)

۸ (۴)

۵ (۳)

۱۱۹- در شکل زیر مقدار متوسط اختلاف ولتاژ $(V_2 - V_1)$ در دو سر مقاومت R_7 به کدام گزینه برحسب میلی‌ولت نزدیکتر است؟ ($V_{in} = \sin(2000\pi t)$)



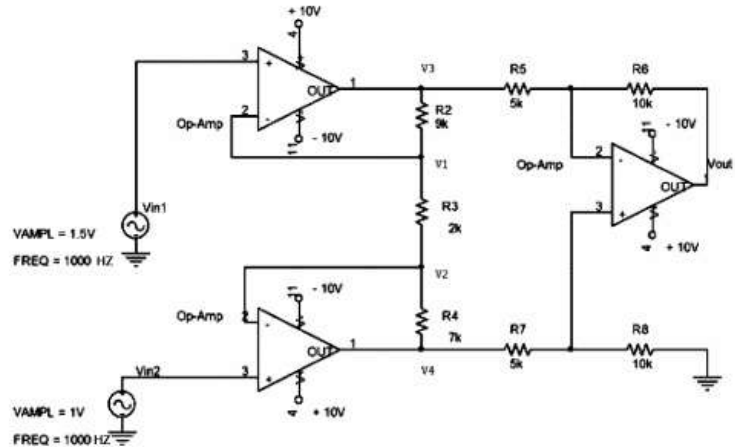
۲۷۰ (۲)

۲۵۰ (۱)

۳۱۰ (۴)

۲۹۰ (۳)

۱۲۰- در شکل زیر مقدار بهره ولتاژ $V_{out}/(V_{in2} - V_{in1})$ به کدام گزینه نزدیکتر است؟



۲۲ (۲)

۲۰ (۱)

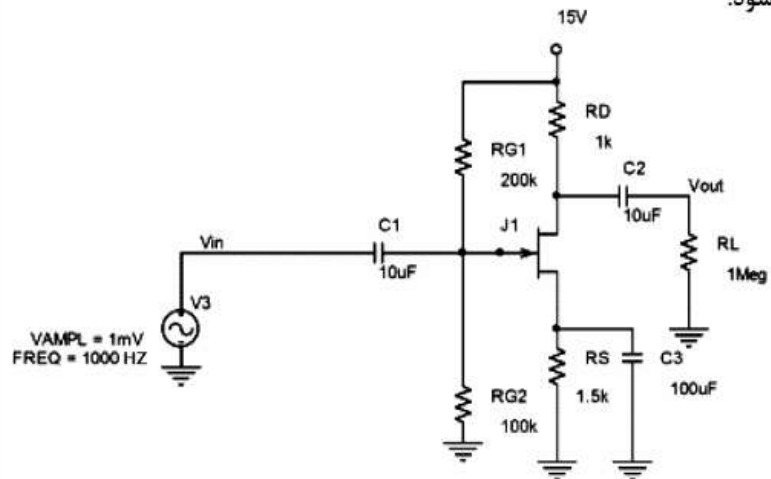
۲۴ (۴)

۱۸ (۳)

۱۲۱- در شکل زیر بهره ولتاژ V_{out}/V_{in} به کدام گزینه نزدیکتر است؟ برای ترانزیستور

JFET مقادیر $(V_A = 100V, V_p = -3V, I_{DSS} = 9mA)$ در نظر گرفته

شود.



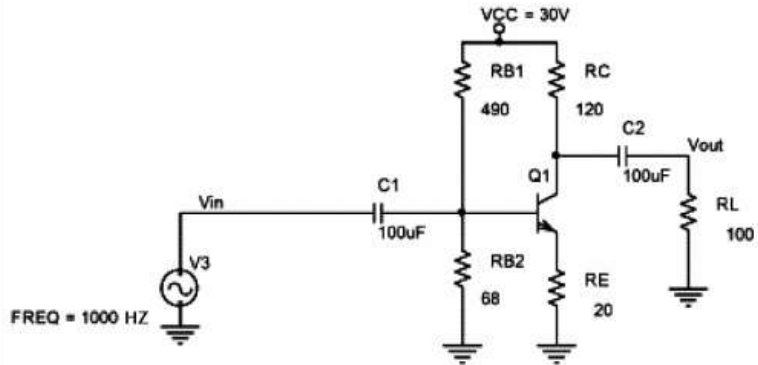
-۴/۴ (۲)

-۴/۷ (۱)

-۳/۸ (۴)

-۴/۱ (۳)

۱۲۲- در مدار شکل زیر مقدار حداکثر دامنه قله به قله بدون اعوجاج ولتاژ خروجی به کدام مقدار برحسب ولت نزدیکتر است؟ برای ترانزیستور مقادیر $(V_{BEQ} = 0.7\text{V}, V_{CE(sat)} = 0.5\text{V}, \beta = 100)$ در نظر گرفته شود.



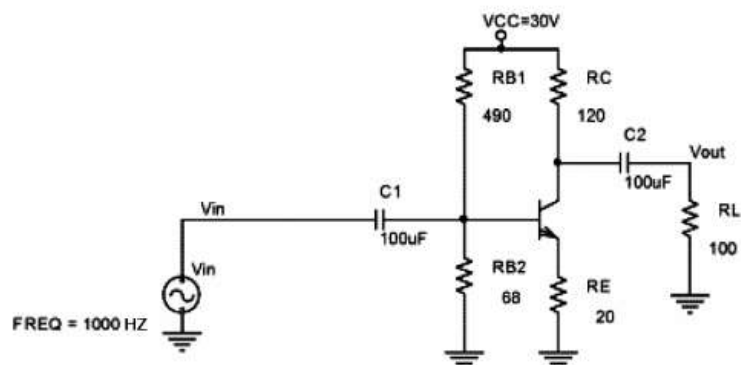
۱۵/۵ (۲)

۱۴/۵ (۱)

۱۳/۵ (۴)

۱۲/۵ (۳)

۱۲۳- در مدار شکل زیر مقدار حداکثر بازده توان (با فرض ولتاژ خروجی سینوسی بدون اعوجاج در بار R_L) به کدام مقدار بر حسب درصد نزدیکتر می‌باشد؟ برای ترانزیستور مقادیر $(V_{BEQ} = 0.7\text{V}, V_{CE(sat)} = 0.5\text{V}, \beta = 100)$ در نظر گرفته شود.



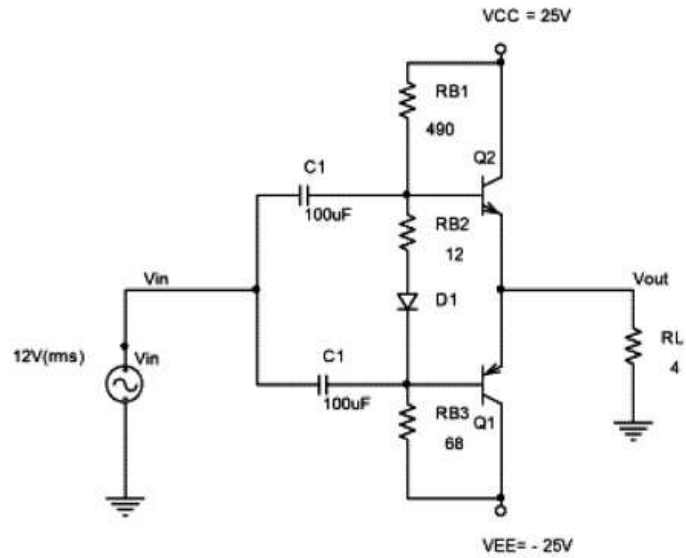
۴ (۲)

۶ (۱)

۷ (۴)

۵ (۳)

۱۲۴- در مدار شکل زیر مقدار توانی که در هر ترانزیستور تلف می‌شود به کدام مقدار بر حسب وات نزدیکتر است؟



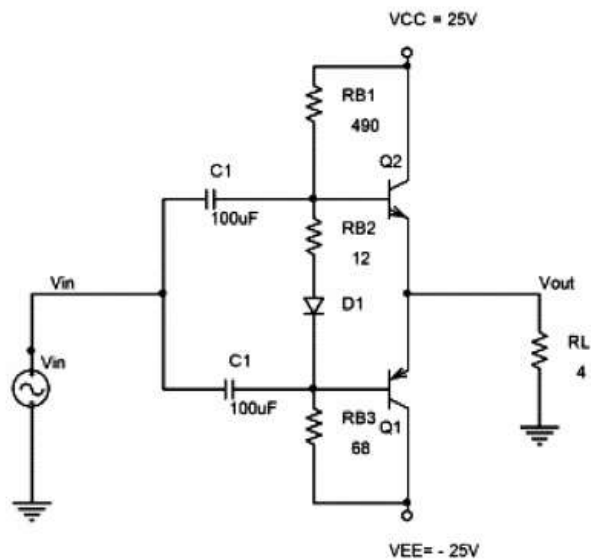
۱۶٫۸ (۲)

۱۵٫۸ (۱)

۱۳٫۸ (۴)

۱۴٫۸ (۳)

۱۲۵- در مدار شکل زیر در شرایطی که مقدار حداکثر توان در بار RL مصرف می‌شود، توانی که در هر ترانزیستور تلف می‌شود به کدام مقدار بر حسب وات نزدیکتر است؟



۱۰٫۷ (۲)

۱۶٫۷ (۱)

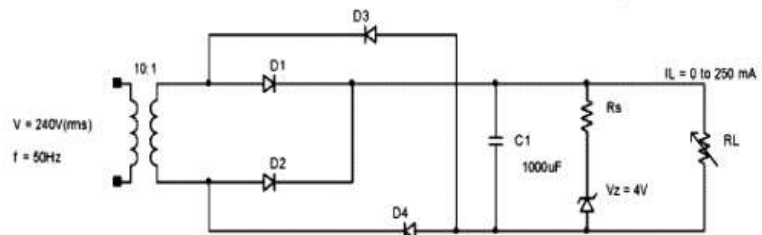
۱۴٫۷ (۴)

۱۲٫۷ (۳)

۱۲۶- حداکثر توان یک ترانزیستور برای درجه حرارت بدنه کوچکتر از 25°C ($T_c < 25^{\circ}\text{C}$)، 40 W می باشد. حداکثر درجه حرارت اتصال ترانزیستور $T_j(\text{max}) = 150^{\circ}\text{C}$ و مقاومت حرارتی و اشرف میکا بین بدنه ترانزیستور و خنک کننده $R_{cs} = 2^{\circ}\text{C/W}$ است. چنانچه به حداکثر توان تلف شده 5 W در این ترانزیستور نیاز داشته باشیم، حداکثر درجه حرارت خنک کننده به کدام مقدار بر حسب درجه سانتی گراد نزدیکتر است؟

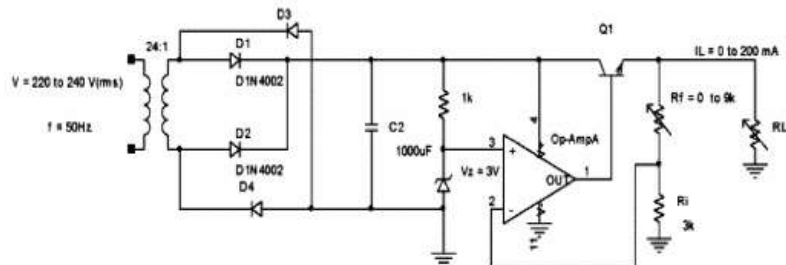
- (۱) $119/4$ (۲) $115/4$
(۳) $128/4$ (۴) $124/4$

۱۲۷- در مدار زیر جریان بار $0 < I_L < 250\text{ mA}$ با هدف تثبیت ولتاژ زبر، میانگین دامنه ممکن تغییرات مقاومت R_s به کدام مقدار بر حسب کیلو اهم نزدیکتر است؟ دامنه جریان دیود زبر $10\text{ mA} < I_z < 2\text{ mA}$ می باشد. ولتاژ هدایت دیودها 0.7 V است.



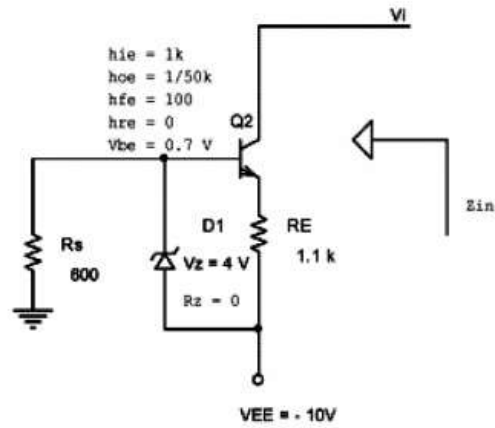
- (۱) $10/9$ (۲) $6/9$
(۳) $7/9$ (۴) $8/9$

۱۲۸- در رگولاتور شکل زیر حداکثر توانی که در ترانزیستور Q_1 تلف می شود به کدام گزینه بر حسب وات نزدیکتر است؟ ولتاژ هدایت دیودها 0.7 V است.



- (۱) $1/75$ (۲) $1/55$
(۳) $1/35$ (۴) $1/15$

۱۲۹- مدار شکل زیر در یک تقویت کننده تفاضلی مورد استفاده قرار می گیرد. امیدانس ورودی Z_{in} به کدام گزینه برحسب مگا اهم نزدیکتر است؟



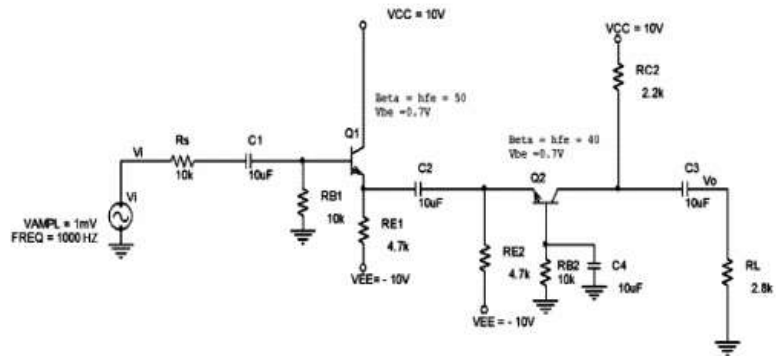
۲/۶۷ (۲)

۳/۶۷ (۱)

۴/۶۷ (۴)

۵/۶۷ (۳)

۱۳۰- بهره ولتاژ $\left| \frac{V_o}{V_i} \right|$ در مدار شکل زیر به کدام گزینه نزدیکتر است؟



۷/۸ (۲)

۶/۸ (۱)

۵/۸ (۴)

۴/۸ (۳)