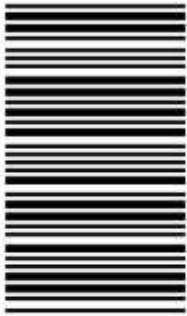


کد کنترل

254

F



254F

عصر پنجشنبه
۹۷/۲/۶



«اگر دانشگاه اصلاح شود مملکت اصلاح می‌شود.»
امام خمینی (ره)

جمهوری اسلامی ایران
وزارت علوم، تحقیقات و فناوری
سازمان سنجش آموزش کشور

آزمون ورودی دوره‌های کارشناسی ارشد ناپیوسته داخل - سال ۱۳۹۷

مهندسی ابزار دقیق و اتوماسیون در صنایع نفت - کد (۱۲۹۰)

مدت پاسخگویی: ۲۰۰ دقیقه

تعداد سؤال: ۱۳۰

عنوان مواد امتحانی، تعداد و شماره سؤالات

ردیف	مواد امتحانی	تعداد سؤال	از شماره	تا شماره
۱	زبان عمومی و تخصصی (انگلیسی)	۳۰	۱	۳۰
۲	ریاضیات مهندسی	۱۵	۳۱	۴۵
۳	کنترل خطی و غیرخطی	۱۵	۴۶	۶۰
۴	ترمودینامیک	۲۰	۶۱	۸۰
۵	انتخاب ۲ مکانیک سیالات و انتقال حرارت	۲۰	۸۱	۱۰۰
۶	۴ درس از مدارهای الکتریکی (۲و۱)	۱۵	۱۰۱	۱۱۵
۷	الکترونیک (۲و۱)	۱۵	۱۱۶	۱۳۰

استفاده از ماشین حساب مجاز نیست.

این آزمون نمره منفی دارد.

حق چاپ، تکثیر و انتشار سؤالات به هر روش (الکترونیکی و...) پس از برگزاری آزمون، برای تمامی اشخاص حقیقی و حقوقی تنها با مجوز این سازمان مجاز می‌باشد و یا متخلین برابر مقررات رفتار می‌شود.

۱۳۹۷

* داوطلب گرامی، عدم درج مشخصات و امضا در مندرجات جدول ذیل، به منزله عدم حضور شما در جلسه آزمون است.

اینجانب با شماره داوطلبی در جلسه این آزمون شرکت می‌نمایم.

امضا:

زبان عمومی و تخصصی (انگلیسی):

PART A: Vocabulary

Directions: Choose the word or the phrase (1), (2), (3), or (4) that best completes the blank. Then mark the correct choice on your answer sheet.

- 1- Animal welfare science is an emerging field that seeks to answer questions ----- by the keeping and use of animals.
1) raised 2) resolved 3) settled 4) evolved
- 2- The low soil fertility problem can be ----- by applying the appropriate lime and organic fertilizers.
1) traced 2) preceded 3) mitigated 4) necessitated
- 3- The chef furnished his assistant with very explicit instructions regarding the ----- to be used for the new dish.
1) properties 2) aesthetics 3) ceremonies 4) ingredients
- 4- The problem of power cut was so important that we decided not to bother about the other ----- issues that were not much of a concern at that time.
1) gradual 2) peripheral 3) tranquil 4) lucrative
- 5- Everybody knows that Ted is a chronic procrastinator; he ----- puts off doing his assignments until the last minute.
1) spontaneously 2) marginally 3) habitually 4) superficially
- 6- The world's governments have made a joint ----- to significantly reduce greenhouse gas emissions by the year 2030.
1) malady 2) determination 3) involvement 4) pledge
- 7- Scientists do their best try to ----- themselves from their biases and be objective.
1) detach 2) delete 3) ignore 4) strengthen
- 8- The local businessman accused the newspaper of defaming him by publishing an article that said his company was ----- managed.
1) seriously 2) centrally 3) poorly 4) crucially
- 9- Landing a plane on an aircraft carrier requires a great deal of -----, as you can crash if you miss the landing zone by even a little bit.
1) determination 2) precision 3) rationality 4) consultation
- 10- New growth of the body's smallest vessels, for instance, enables cancers to enlarge and spread and contributes to the blindness that can ----- diabetes.
1) cause 2) halt 3) identify 4) accompany

PART B: Cloze Passage

Directions: Read the following passage and decide which choice (1), (2), (3), or (4) best fits each space. Then mark the correct choice on your answer sheet.

Estimates of the number of humans that Earth can sustain have ranged in recent decades from fewer than a billion to more than a trillion. (11) -----, since “carrying capacity” is essentially a subjective term. It makes little sense to talk about carrying capacity in relationship to humans, (12) ----- and altering both their culture and their physical environment, (13) ----- can thus defy any formula (14) ----- the matter. The number of people that Earth can support depends on (15) -----, on what we want to consume, and on what we regard as a crowd.

- 11- 1) It is probably unavoidable that such elasticity
 2) Such elasticity is probably unavoidable
 3) It is such elasticity probably unavoidable
 4) That it is probably unavoidable for such elasticity
- 12- 1) that adapt their capability
 2) whose capability is adapted
 3) who are capable of adaptation
 4) who are capable of adapting
- 13- 1) therefore
 2) because
 3) and
 4) next
- 14- 1) might settle
 2) might be settling
 3) that might settle
 4) which it might settle
- 15- 1) how we on Earth want to live
 2) Earth where we want to live
 3) where we want to live in on Earth
 4) where do we want to live on Earth

PART C: Reading Comprehension:

Directions: Read the following three passages and answer the questions by choosing the best choice (1), (2), (3), or (4). Then mark the correct choice on your answer sheet.

PASSAGE 1:

Measurement of physical variables is of prime interest in science and engineering. Consider for example an accelerometer, where early instruments consisted of a mass suspended on a spring with a deflection sensor. The precision of such an instrument depends critically on accurate calibration of the spring and the sensor. There is also a design compromise because a weak spring gives high sensitivity but also low bandwidth.

A different way of measuring acceleration is to use force feedback. The spring is then replaced by a voice coil that is controlled so that the mass remains at a constant position. The acceleration is proportional to the current through the voice coil. In such an instrument, the precision depends entirely on the calibration of the voice coil and does not depend on the sensor, which is only used as the feedback signal. The sensitivity of bandwidth compromise is also avoided. This way of using feedback has been applied to many different engineering fields and has resulted in instruments with dramatically improved performance. Force feedback is also used in haptic devices for manual control.

Feedback is widely used to measure ion currents in cells using a device called the voltage clamp. Hodgkin and Huxley used the voltage clamp to investigate propagation of action potentials in the axon of the giant squid. In 1963 they shared the Nobel Prize in Medicine with Eccles for "their discoveries. concerning the ionic mechanisms involved in excitation and inhibition in the peripheral and central portions of the nerve cell membrane". A refinement of the voltage clamp called the patch clamp later made it possible to measure exactly when a single ion channel is opened or closed. This was developed by Neher and Sakmann, who received the 1991 Nobel Prize in Medicine for their discoveries.

- 16- We understand from the text that if there were no compromise, -----.
- 1) we would have to calibrate the spring
 - 2) the calibration would not be accurate
 - 3) we would have to replace the spring
 - 4) the accelerator would break down
- 17- The main difference between the two types of accelerometer mentioned in the passage is that the first one is physical while the second one is -----.
- 1) automatic
 - 2) analogue
 - 3) electronic
 - 4) electrical
- 18- The sensor in the second type of accelerometer is ----- component.
- 1) fundamental
 - 2) major
 - 3) peripheral
 - 4) basic
- 19- In the second type of accelerometer, the feedback is measured through -----.
- 1) voice coil
 - 2) bandwidth
 - 3) mass
 - 4) spring
- 20- The underlined "This" in the last paragraph refers to -----.
- 1) patch clamp
 - 2) voltage clamp
 - 3) giant squid
 - 4) action potential

PASSAGE 2:

Various corrosion levels of saline water immersed offshore structures include Buried in Soil (BS), Under water Zone (UZ), Intermediate Zone (IZ), Splash Zone (SZ) and Atmospheric Zone (AZ). The highest levels of corrosion are found in the wet areas of any offshore structure and depend on the corrosiveness of sea water and metal-brine contact frequency. Active Protection is controlled at the design stage by means of Material Selection and Construction Details. Temporary Protection is done where the equipment is not critical and a change in design is possible. Passive Protection is done via the means of Coatings and Surface Protection Methods.

PTFE Fluoropolymer coating withstands harsh conditions with no noticeable deterioration. Most of the useful properties of Fluoropolymer are due to fluorine, the most electro-negative element and the most reactive non-metal. Its atomic radius is the smallest next to hydrogen, and it forms extremely strong bonds with other elements. When reacted with carbon in Fluoropolymer, the extremely strong, tight bond produces an extraordinary combination of properties. The benefits of Fluoropolymer coatings include reduced friction, zero flame spread, resistance to galling, nonstick, non-wetting, electrical resistance and abrasion resistance. In the coating process, a metallic base coat is applied first, followed by an adhesion coat. The adhesion coat creates a chemical bond between the base coat and the top coat. The top coat, a heat cured Fluoropolymer coating, is used to seal the two under coatings and give easy on/easy off characteristics.

Black, cadmium plated, and hot dipped galvanized bolts will freeze when subjected to the corrosive environments found in manufacturing plants, offshore oil rigs, et3) Most often removing the nuts requires a cutting torch. With Fluoropolymer coatings, these same nuts and bolts exhibit easy on and easy off characteristics increasing worker safety. Cadmium plated and hot dipped galvanized bolts provide similar corrosion resistance. These coatings have undergone the standard salt fog test and have been rated at 96 hours of corrosion resistance. With a Fluoropolymer coated bolt, the rating jumps to as much as 1000 hours. The additional corrosion resistance allows fasteners to be disassembled quickly, saving loss downtime and man-hours. Galvanizing produces a coating that is uneven, rough and thick. The rough surfaces make assembly difficult and a tight even tension on each bolt impossible. If used in sealing joints such as flanges, heads or inspection covers, the inconsistent tension forms an uneven fit resulting in a high probability of leaks. With a Fluoropolymer coated bolt, tighter more consistent tensions are achieved with less required torque.

- 21- **The best title for this passage is -----.**
 1) A Comparison of Corrosion Protection Plans on Offshore Platforms
 2) Oil and Gas Offshore Condition Monitoring Plans
 3) Application of Galvanic and Cadmium Coating on Offshore
 4) Benefits of Fluoropolymer Coating in Offshore Oil and Gas Industry
- 22- **The most suitable corrosion protection method for offshore platforms is -----.**
 1) active 2) passive 3) temporary 4) galvanic
- 23- **The major role of the middle layer in PTFE coating is to -----.**
 1) eliminate the roughness of the metal surface
 2) prevent the abrasion of the coating
 3) improve the stickness of the coating layer
 4) increase the heat-resistance of the coating
- 24- **The underlined word "it" in the second paragraph refers to -----.**
 1) Fluorine 2) Fluoropolymer 3) atomic radius 4) Hydrogen
- 25- **Comparing Fluoropolymer coating with galvanic coating shows that -----.**
 1) the resistance of both coating is almost the same
 2) Fluoropolymer coating is slightly more stable
 3) Fluoropolymer coating is considerably more resistant
 4) galvanic coating is more durable

PASSAGE 3:

Operational amplifiers, often called op amps, are frequently used to amplify signals in sensor circuits. Op amps are also frequently used in filters used for compensation purposes. It is a common practice to choose the ground as 0 volt and measure the input voltages e_1 and e_2 relative to the ground. The input e_1 to the minus terminal of the amplifier is inverted, and the input e_2 to the plus terminal is not inverted. The total input to the amplifier thus becomes $e_2 - e_1$. Hence, for the circuit, we have

$$e_0 = K(e_2 - e_1) = -K(e_1 - e_2)$$

where the inputs e_1 and e_2 may be dc or ac signals and K is the differential gain or voltage gain. The magnitude of K is approximately $10^5 \sim 10^6$ for dc signals and ac

signals with frequencies less than approximately 10 Hz. (The differential gain K decreases with the signal frequency and becomes about unity for frequencies of 1 MHz ~ 50 MHz) Note that the op amp amplifies the difference in voltages e_1 and e_2 . Such an amplifier is commonly called a differential amplifier. Since the gain of the op amp is very high, it is necessary to have a negative feedback from the output to the input to make the amplifier stable. (The feedback is made from the output to the inverted input so that the feedback is a negative feedback.)

In the ideal op amp, no current flows into the input terminals, and the output voltage is not affected by the load connected to the output terminal. In other words, the input impedance is infinity and the output impedance is zero. In an actual op amp, a very small (almost negligible) current flows into an input terminal and the output cannot be loaded too much. In our analysis, we make the assumption that the op amps are ideal.

- 26- **How many uses are mentioned here for operational amplifiers?**
 1) two 2) one 3) three 4) four
- 27- **Which statement below is NOT true according to the passage?**
 1) e_1 in the equation represents the input to the minus terminal of the amplifier, while e_2 indicates the input to the plus terminal of the amplifier.
 2) The magnitude of K is the same for both dc and ac signals with frequencies less than approximately 10 Hz.
 3) In a differential amplifier, the difference in voltages e_1 and e_2 is amplified.
 4) The total input to the amplifier can be calculated by subtracting e_2 from e_1 .
- 28- **All of the following about ideal and actual operational amplifiers are true EXCEPT -----.**
 1) in an actual operational amplifier, it is not possible to load the output too much
 2) the difference between the input impedance and output impedance in the ideal op amp is infinity
 3) the ideal op amp, the load which is connected to the output terminal has an impact on the output voltage
 4) in the ideal operational amplifier, the input terminals have no current, whereas in an actual operational amplifier there is little current flowing into the input terminal
- 29- **The underlined word "Hence" in the passage means -----.**
 1) In addition 2) Thus 3) Otherwise 4) However
- 30- **The word "approximately" in the line 9 means -----**
 1) nearly 2) exactly 3) closely 4) merely

ریاضیات مهندسی:

۳۱- ضریب $\sin 4x$ در سری فوریه سینوسی تابع $f(x) = \sqrt{\cos 2x}$ ، $0 < x < \frac{\pi}{4}$ با دوره تناوب $\frac{\pi}{2}$ ، کدام است؟

(۱) $\frac{-16}{5\pi}$

(۲) $\frac{-8}{5\pi}$

(۳) $\frac{8}{5\pi}$

(۴) $\frac{16}{5\pi}$

۳۲- اگر تبدیل فوریه تابع $f(x) = e^{-a|x|}$ ، $a \neq \pi$ را $F(\omega)$ در نظر بگیریم، حاصل انتگرال زیر کدام است؟

$$\int_{-\infty}^{\infty} (F(\omega))^2 d\omega = ?$$

(۱) $\frac{\pi}{a}$

(۲) $\frac{2\pi}{a}$

(۳) $\frac{a}{2\pi}$

(۴) $\frac{a}{\pi}$

۳۳- با فرض $u(0, y) = \sin y$ و $u(x, 0) = x$ ، حاصل $u(2, \frac{\pi}{2})$ جواب معادله $u_{xy} = 2x + \cos y$ ، کدام است؟

(۱) $\pi + 1$

(۲) $\pi + 5$

(۳) $2\pi + 1$

(۴) $2\pi + 5$

۳۴- با استفاده از روش ضربی (تفکیک متغیرها)، جواب معادله $xu_x + yu_y = 2u$ ، کدام است؟ (C و k اعداد حقیقی دلخواه هستند)

(۱) $u(x, y) = Cx^{\tau-k}y^k$

(۲) $u(x, y) = Cx^{\tau+k}y^k$

(۳) $u(x, y) = Cx^{-(\tau+k)}y^{-k}$

(۴) $u(x, y) = Cx^{\tau-k}y^{-k}$

۳۵- جواب مسئله $u_{xx} + u_{yy} = 0$ ، $u(\pi, y) = u(0, y) = u(x, 0) = 0$ و $u_y(x, \pi) = f \sin x + \lambda \sin 2x$

کدام است؟ ($0 \leq y \leq \pi$ ، $0 \leq x \leq \pi$)

(۱) $u(x, y) = f \operatorname{sech} \pi \sin x \sinh y + \lambda \operatorname{sech} 2\pi \sin 2x \sinh 2y$

(۲) $u(x, y) = f \operatorname{csch} \pi \sin x \operatorname{csch} y + \lambda \operatorname{csch} 2\pi \sin 2x \operatorname{csch} 2y$

(۳) $u(x, y) = f \operatorname{csch} \pi \sin x \operatorname{csch} y + f \operatorname{csch} 2\pi \sin 2x \operatorname{csch} 2y$

(۴) $u(x, y) = f \operatorname{sech} \pi \sin x \sinh y + f \operatorname{sech} 2\pi \sin 2x \sinh 2y$

۳۶- کدام تغییر متغیر، معادله $u_{xx} + \left(\frac{x^2 y^2 + 1}{xy}\right)u_{xy} + u_{yy} = 0$ را به فرم نرمال (فرم کانونی) تبدیل می‌کند؟

(۱) $v = x^2 - \ln y^2, w = y^2 + \ln x^2$

(۲) $v = x^2 + \ln y^2, w = y^2 + \ln x^2$

(۳) $v = x^2 - \ln y^2, w = y^2 - \ln x^2$

(۴) $v = x^2 + \ln y^2, w = y^2 - \ln x^2$

۳۷- تبدیل لاپلاس جواب عمومی $(W(x,s))$ مسئله زیر، کدام است؟

$w_{tt} = w_{xx} - w \quad 0 < x < \infty, t > 0$

$w(x,0) = 0, w_t(x,0) = \sin x, w(0,t) = 1$

(۱) $W(x,s) = Ae^{x\sqrt{s^2+1}} + Be^{-x\sqrt{s^2+1}} + \frac{\sin x}{(s^2+2)}$

(۲) $W(x,s) = Ae^{x\sqrt{s^2+1}} + Be^{-x\sqrt{s^2+1}} + \frac{\sin x}{(s^2+1)}$

(۳) $W(x,s) = Ae^{x\sqrt{s^2+2}} + Be^{-x\sqrt{s^2+2}} + \frac{\sin x}{(s^2+2)}$

(۴) $W(x,s) = Ae^{x\sqrt{s^2+2}} + Be^{-x\sqrt{s^2+2}} + \frac{\sin x}{(s^2+1)}$

۳۸- اگر Z یک عدد مختلط باشد، در آن صورت جواب‌های معادله $\cos Z = \cos \bar{Z}$ کدام است؟ (R مجموعه اعداد

حقیقی و $k = 0, \pm 1, \pm 2, \dots$)

(۱) $Z = x \in R$

(۲) $y \in R \quad Z = k\pi + iy$

(۳) مجموعه جواب تهی است.

(۴) گزینه‌های ۱ و ۲ درست است.

۳۹- اگر $f(z) = f(re^{i\theta}) = e^{-\theta}(\cos(\ln r) + i \sin(\ln r))$, $0 < \theta < 2\pi$ باشد، در آن صورت، گزینه صحیح کدام است؟

(۱) $f'(z) = -i \frac{f(z)}{z}$

(۲) $f'(z) = i \frac{f(z)}{z}$

(۳) $f'(z) = izf(z)$

(۴) $f'(z) = -izf(z)$

۴۰- اگر تابع $f(z) = u(x,y) + iv(x,y)$ در ناحیه D تحلیلی و $\operatorname{Re}(f') = x \cos y + y \cos x + xy$ باشد، آنگاه

ضریب y^2 در ضابطه v ، کدام است؟

(۱) $-\frac{1}{2} \cos x + \frac{1}{2} x$

(۲) $-\frac{1}{2} \cos x - \frac{1}{2} x$

(۳) $\frac{1}{2} \cos x + \frac{1}{2} x$

(۴) $\frac{1}{2} \cos x - \frac{1}{2} x$

۴۱- حاصل انتگرال روبه‌رو، کدام است؟

$$\oint_{|z|=2} \frac{\bar{z} - \bar{z}^2}{z} |dz|$$

- (۱) $-\frac{4}{3}$
(۲) ۰
(۳) $\frac{1}{3}$
(۴) $\frac{4}{3}$

۴۲- با توجه به مقدار انتگرال: $\oint_C \frac{dz}{z - (1+i)}$ روی خم C ، $C: |z - (1+i)| = 1$ ، مقادیر انتگرال‌های زیر کدام است؟
(C در جهت مخالف حرکت عقربه‌های ساعت)

$$I = \oint_C \frac{(x-1)dx + (y-1)dy}{(x-1)^2 + (y-1)^2}, \quad J = \oint_C \frac{(y-1)dx - (x-1)dy}{(x-1)^2 + (y-1)^2}$$

- (۱) $J = -2\pi$, $I = 0$
(۲) $J = 2\pi$, $I = 0$
(۳) $J = 0$, $I = 2\pi$
(۴) $J = 0$, $I = -2\pi$

۴۳- حاصل انتگرال $I = \int_0^{2\pi} \frac{d\theta}{\sqrt{2 + \sin\theta}}$ ، کدام است؟

- (۱) $2\pi i$
(۲) $\frac{\pi}{2}$
(۳) 2π
(۴) $\frac{\pi}{2} i$

۴۴- نقاط ثابت (Fixed Points) تابع $f(z) = \frac{-2 + 2z - z^2}{1 - 3z + z^2}$ ، کدام است؟

- (۱) $z = -1, 1, 2$
(۲) $z = -1, 1, -2$
(۳) $z = 1, 2, -2$
(۴) $z = -1, 2, -2$

۴۵- نگاهت ناحیه مثلثی بین خطوط $x = -\frac{1}{4}$ ، $y = x$ و $y = -x$ ، تحت تابع $w = z^2$ ، کدام است؟

- (۱) ناحیه محدود به سهمی $v^2 = \frac{1}{4} + u$ و $u \leq 0$
(۲) ناحیه محدود به سهمی $v^2 = \frac{1}{16} - u$ و $u \geq 0$
(۳) ناحیه محدود به سهمی $v^2 = \frac{1}{4} - u$ و $u \geq 0$
(۴) ناحیه محدود به سهمی $v^2 = \frac{1}{16} + u$ و $u \leq 0$

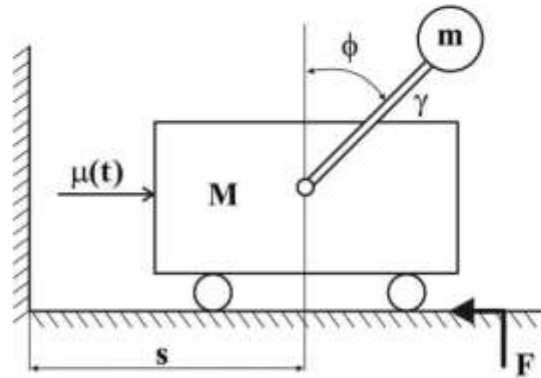
کنترل خطی و غیرخطی:

۴۶- معادلات دینامیکی سیستم پاندول معکوس نشان داده شده در شکل، به صورت زیر است. معادلات حالت خطی شده

سیستم با بردار حالت $x = [\phi \ \dot{\phi} \ s \ \dot{s}]^T$ حول $\phi = 0$ ، کدام است؟

$$\ddot{\phi} - \left(\frac{g}{L'}\right) \sin \phi + \left(\frac{1}{L'}\right) \ddot{s} \cos \phi = 0$$

$$M\ddot{s} + F\dot{s} = \mu(t)$$



$$\dot{x} = \begin{bmatrix} 0 & 1 & 0 & 0 \\ \frac{g}{L'} & 0 & 0 & \frac{F}{L'M} \\ 0 & 0 & 0 & 1 \\ 0 & 0 & 0 & \frac{F}{M} \end{bmatrix} x + \begin{bmatrix} 0 \\ -\frac{1}{L'M} \\ 0 \\ \frac{1}{M} \end{bmatrix} \mu \quad (1)$$

$$\dot{x} = \begin{bmatrix} 0 & 1 & 0 & 0 \\ \frac{g}{L'} & 0 & 0 & \frac{F}{L'M} \\ 0 & 0 & 0 & 1 \\ 0 & 0 & 0 & -\frac{F}{M} \end{bmatrix} x + \begin{bmatrix} 0 \\ -\frac{1}{L'M} \\ 0 \\ -\frac{1}{M} \end{bmatrix} \mu \quad (2)$$

$$\dot{x} = \begin{bmatrix} 0 & 1 & 0 & 0 \\ \frac{g}{L'} & 0 & 0 & \frac{F}{L'M} \\ 0 & 0 & 0 & 1 \\ 0 & 0 & 0 & -\frac{F}{M} \end{bmatrix} x + \begin{bmatrix} 0 \\ -\frac{1}{L'M} \\ 0 \\ \frac{1}{M} \end{bmatrix} \mu \quad (3)$$

$$\dot{x} = \begin{bmatrix} 0 & 1 & 0 & 0 \\ \frac{g}{L'} & 0 & 0 & \frac{F}{L'M} \\ 0 & 0 & 0 & 1 \\ 0 & 0 & 0 & -\frac{F}{M} \end{bmatrix} x + \begin{bmatrix} 0 \\ -\frac{1}{L'M} \\ 0 \\ -\frac{1}{M} \end{bmatrix} \mu \quad (4)$$

۴۷- سیستم پایدار $G(s) = \frac{k}{s+a}$ را در نظر بگیرید. چنانچه فرکانس قطع سیستم را با ω_c و زمان رسیدن پاسخ پله

سیستم حلقه بسته با فیدبک واحد به ۹۹٪ مقدار نهایی را با t_r نشان دهیم، برای مقادیر کوچک t_r کدام گزینه صحیح است؟

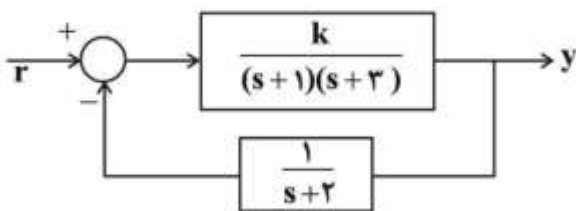
(۱) $\omega_c/t_r = \text{constant}$

(۲) $\omega_c t_r = \text{constant}$

(۳) $\omega_c^2/t_r = \text{constant}$

(۴) $\omega_c^2 t_r = \text{constant}$

۴۸- در شکل زیر، کدام گزینه در مورد خطای حالت ماندگار پاسخ پله صحیح است؟



(۱) خطا حداقل $\frac{1}{11}$ است.

(۲) خطا به ازای $k=6$ حداقل است.

(۳) خطا همواره مقدار ثابت ۱ است.

(۴) خطا همواره برای $-6 < k < 6$ مقدار ثابت ۱ است.

۴۹- در مورد ریشه‌های سیستم با معادله مشخصه زیر، گزینه صحیح کدام است؟

$$\Delta(s) = s^5 + 3s^4 + 3s^3 + 9s^2 - 4s - 12$$

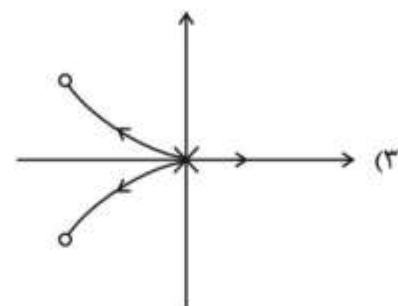
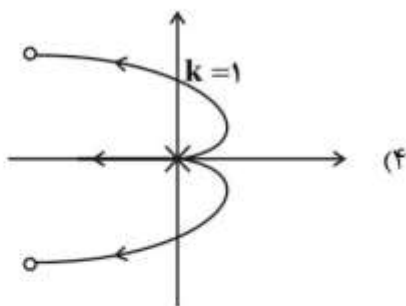
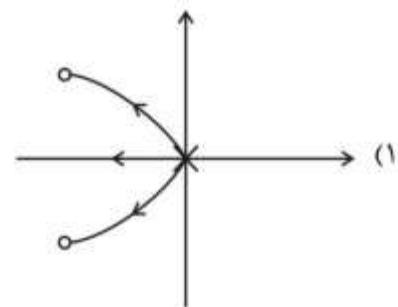
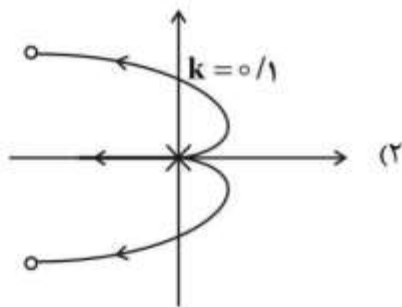
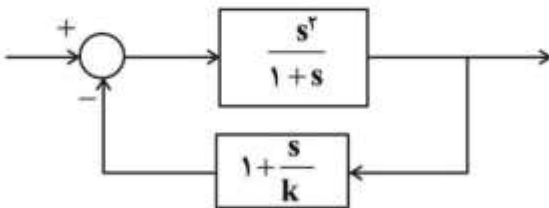
(۱) دو قطب موهومی - دو قطب سمت راست - یک قطب سمت چپ

(۲) چهار قطب موهومی - یک قطب سمت راست

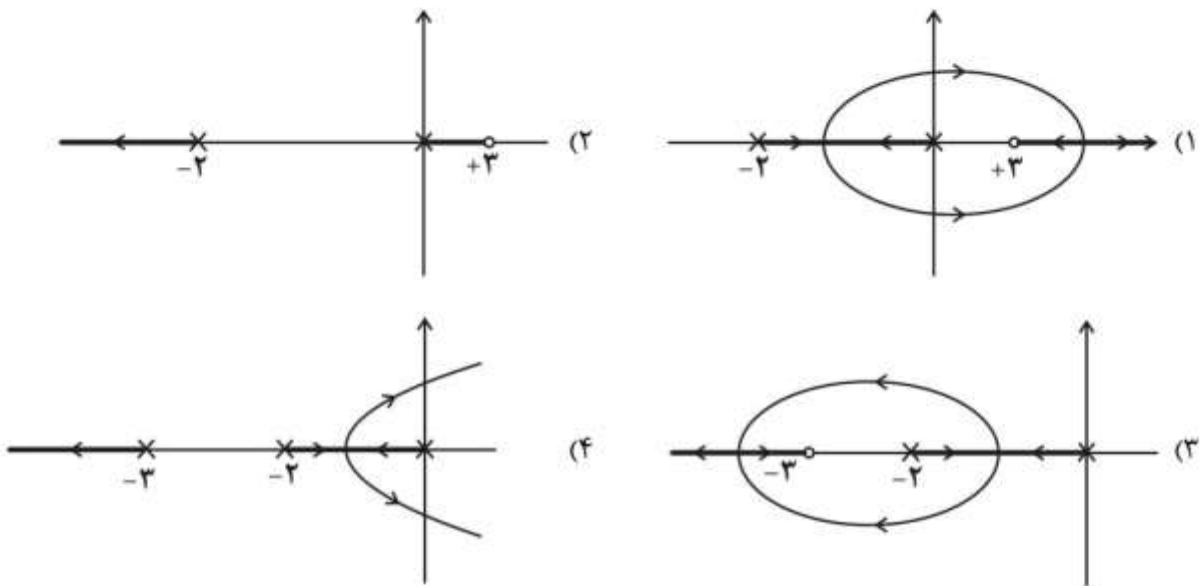
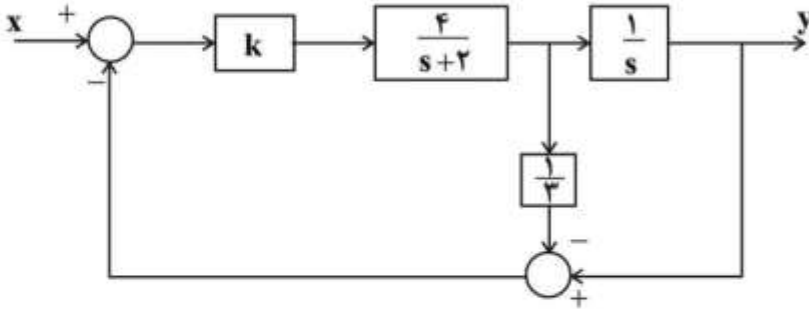
(۳) دو قطب موهومی - یک قطب سمت راست - دو قطب سمت چپ

(۴) چهار قطب سمت چپ - یک قطب سمت راست

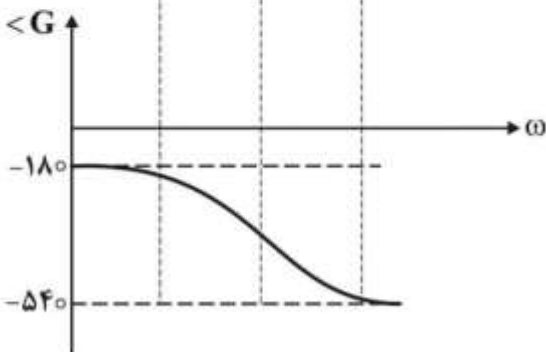
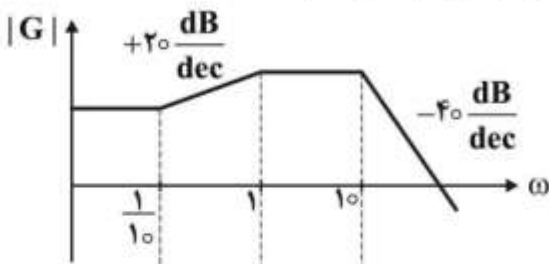
۵۰- مکان ریشه سیستم کنترلی زیر در کدام گزینه درست رسم شده است؟ ($k > 0$)



۵۱- مکان هندسی ریشه‌های سیستم کنترل زیر، کدام است؟ ($k < 0$)



۵۲- در صورتی که نمودار بود تقریبی سیستمی به صورت زیر باشد، تابع تبدیل سیستم کدام است؟



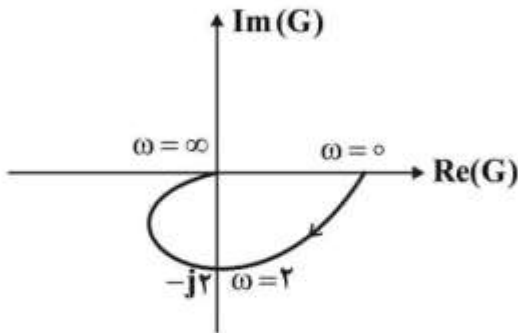
$$G(s) = \frac{s+0.1}{(s+10)^2(s+1)} \quad (1)$$

$$G(s) = \frac{0.1-s}{(s+10)^2(s+1)} \quad (2)$$

$$G(s) = \frac{s+0.1}{(s+10)^2(s-1)} \quad (3)$$

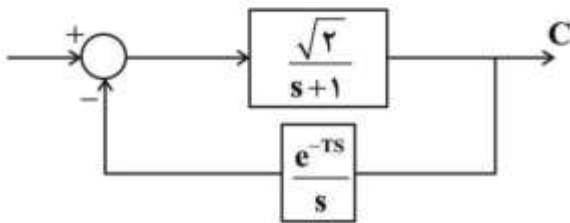
$$G(s) = \frac{-s+0.1}{(-s-10)^2(s+1)} \quad (4)$$

۵۳- دیاگرام نایکوئیست یک سیستم مرتبه ۲ در شکل زیر نشان داده شده است. حساسیت تابع تبدیل حلقه بسته متناظر با نسبت میرایی، کدام است؟



- (۱) $\frac{-0.5s}{s^2 + 2s + 4}$
 (۲) $\frac{-0.25s}{s^2 + 2s + 4}$
 (۳) $\frac{-0.25s}{s^2 + s + 4}$
 (۴) $\frac{-0.5s}{s^2 + s + 4}$

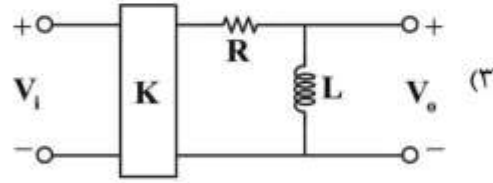
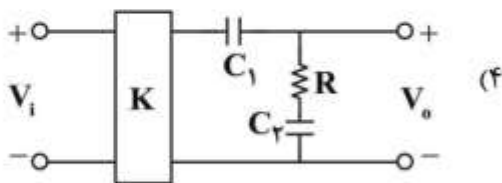
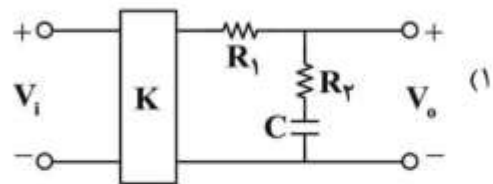
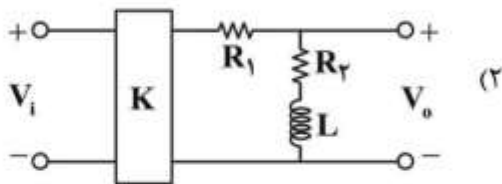
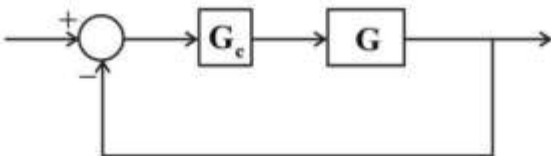
۵۴- به ازای کدام T، سیستم کنترلی زیر به ازای ورودی محدود، خروجی محدود دارد؟



- (۱) $\frac{\pi}{3}$
 (۲) $\frac{2\pi}{8}$
 (۳) $\frac{\pi}{6}$

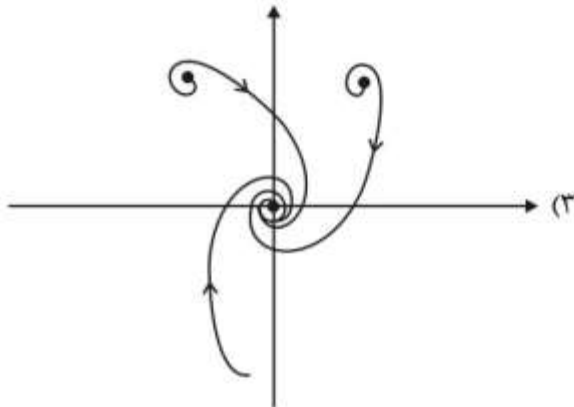
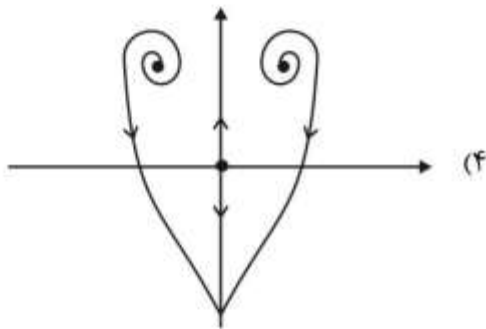
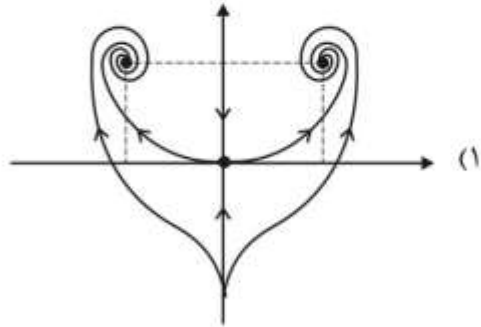
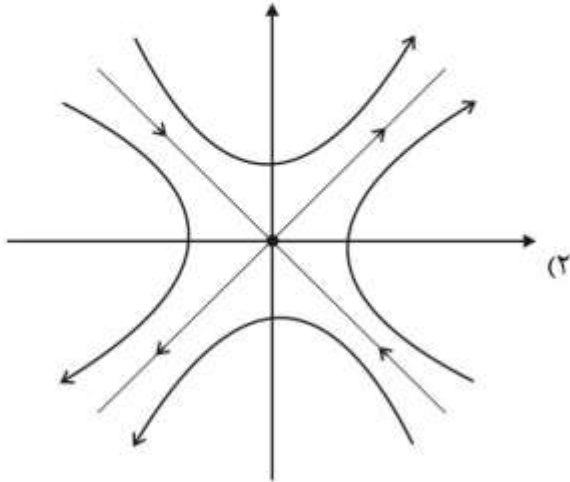
(۴) به ازای تمام T ها ناپایدار است.

۵۵- برای کاهش یا از بین بردن خطای حالت ماندگار بلوک دیاگرام زیر، کدام شبکه مناسب تر است؟



۵۶- تصویر صفحه فاز (phase portraits) سیستم دینامیکی غیر خطی زیر، کدام است؟

$$\begin{cases} \dot{x}_1 = 2x_1 - x_1 x_2 \\ \dot{x}_2 = 2x_1^2 - x_2 \end{cases}$$



۵۷- کدام گزینه در مورد نقطه تعادل صفر سیستم زیر، صحیح است؟

$$\dot{x} = -\Delta x^5 - x^3$$

(۱) این نقطه تعادل ناپایدار است.

(۲) این نقطه تعادل پایدار نمایی است.

(۳) این نقطه تعادل پایدار نمایی نیست.

(۴) با روش لیاپانوف نمی‌توان در مورد پایداری تصمیم گرفت.

۵۸- سیستمی با معادلات حالت زیر در نظر بگیرید:

$$\dot{x}_1 = g(t)x_1 + x_2$$

$$\dot{x}_2 = -x_1 - x_2 \quad |g(t)| \leq \frac{1}{4} \quad \forall t > 0$$

در مورد نقطه تعادل $x = (0, 0)$ ، چه می‌توان گفت؟

(۱) بدون داشتن اطلاعات بیشتر در مورد $g(t)$ ، نمی‌توان در مورد پایداری نقطه تعادل مبدأ صحبت کرد.

(۲) پایدار است.

(۳) پایدار مجانبی است.

(۴) ناپایدار است.

۵۹- کدام گزینه نادرست است؟

- (۱) نتایج پایداری و یا ناپایداری برای سیستم‌های خطی فراگیر هستند.
 (۲) یک سیستم خطی می‌تواند چند نقطه تعادل مستقل داشته باشد.
 (۳) در سیستم خطی $\dot{X} = AX$ علامت قسمت حقیقی مقادیر ویژه ماتریس A ، پایداری و ناپایداری نقطه تعادل را تبیین می‌کنند.
 (۴) در سیستم خطی $\dot{X} = AX$ ، اگر قسمت حقیقی مقدار ویژه ماتریس A صفر باشد، سیستم رفتار نوسانی دارد.
 ۶۰- در مورد نوع نقطه تعادل سیستم غیر خطی زیر، گزینه صحیح کدام است؟

$$\begin{cases} \dot{x}_1 = x_2 \\ \dot{x}_2 = -x_2 - \psi(x_1 - x_2) \end{cases}$$

$$\psi(y) = \begin{cases} y^3 + 0.5y & \text{if } |y| \leq 1 \\ 2y - 0.5 \operatorname{sgn}(y) & \text{if } |y| > 1 \end{cases}$$

- (۱) کانون پایدار (۲) کانون ناپایدار (۳) مرکز (۴) نقطه زینی

ترمودینامیک:

۶۱- در صورتی که یک جسم به جرم یک کیلوگرم را از دمای 600K تا دمای محیط 300K سرد کنیم، مقدار کار

هدررفته، چند کیلوژول است؟ (ظرفیت حرارتی $0.5 \frac{\text{kJ}}{\text{kg.K}}$ و $\ln 2 = 0.7$ فرض شود)

(۱) ۴۵

(۲) ۹۵

(۳) ۲۵۵

(۴) ۳۵۰

۶۲- یک lb mole گاز از دمای -50°F تا دمای 260°F به صورت برگشت‌ناپذیر از فشار 15 psia تا فشار 3 psia

متراکم می‌شود. مقدار تغییر آنتروپی کل چند $\frac{\text{Btu}}{\text{lb mole.R}}$ است؟

($\ln 2 = 0.7$)، $R = 2 \frac{\text{Btu}}{\text{lb mole.R}}$ و $C_p = 1 \frac{\text{Btu}}{\text{lb mole.R}}$

(۱) $-2/1$

(۲) -0.7

(۳) 0.7

(۴) $2/1$

۶۳- کدام تساوی، صحیح است؟

$$C_p = T \left(\frac{\partial S}{\partial T} \right)_p \quad (۱)$$

$$C_p = T \left(\frac{\partial V}{\partial T} \right)_p \quad (۲)$$

$$C_p = T \left(\frac{\partial P}{\partial T} \right)_V \quad (۳)$$

$$C_p = P \left(\frac{\partial S}{\partial P} \right)_T \quad (۴)$$

۶۴- در یک سیکل برگشت پذیر، دمای منبع گرم از ۱۵۰۰K به ۳۰۰K کاهش می یابد؛ درحالیکه دمای منبع سرد ثابت و در ۳۰۰K باقی می ماند. پس از متوقف شدن سیکل مشخص می شود که منبع سرد کلاً ۱۵۰kJ حرارت دریافت کرده است. تغییرات آنروپی منبع گرم، چند کیلوژول بر کلون است؟

$$-۱ \quad (۱)$$

$$-۰٫۵ \quad (۲)$$

$$+۰٫۵ \quad (۳)$$

$$+۱ \quad (۴)$$

۶۵- با استفاده از معادله کلاپیرون، کدام مورد را می توان محاسبه نمود؟

(۱) فقط گرمای نهان ذوب

(۲) فقط گرمای نهان تبخیر

(۳) گرمای نهان در هر نوع تغییر فاز

(۴) وضعیت تعادل فازی

۶۶- در یک فرایند برگشت پذیر فشار ثابت، مقدار انتقال حرارت با محیط عبارتست از:

(۱) مقدار تغییرات انرژی داخلی سیستم

(۲) مقدار تغییرات انرژی هلمهولتز

(۳) مقدار تغییرات آنتالپی سیستم

(۴) مقدار کار انجام شده سیستم

۶۷- اگر مقدار ضریب تراکم در نقطه بحرانی را برای معادلات حالت RK و SRK به ترتیب با Z_{SRK}^C و Z_{RK}^C نمایش دهیم، کدام گزینه صحیح است؟

(۱) برای موادی که ضریب بی مرکزی نزدیک صفر دارند $Z_{SRK}^C > Z_{RK}^C$ است.

(۲) برای موادی که فشار بحرانی بالاتری دارند $Z_{SRK}^C > Z_{RK}^C$ است.

(۳) Z_{SRK}^C با Z_{RK}^C برای همه مواد یکسان است.

(۴) برای موادی که دمای بحرانی بالاتری دارند $Z_{SRK}^C > Z_{RK}^C$ است.

۶۸- گاز ایدئالی با ظرفیت گرمایی ویژه γ طی یک فرایند پلی تروپیک $PV^\delta = \text{Const.}$ از حالت ۱ به حالت ۲ انتقال می یابد. تغییرات آنروپی این گاز را کدام یک از گزینه های زیر به درستی نشان می دهد؟

$$\Delta s = R \left(\frac{\delta - \gamma}{\delta(\gamma - 1)} \right) \ln \frac{P_2}{P_1} \quad (۲) \quad \Delta s = R \left(\frac{(\delta - 1)\gamma}{(\gamma - \delta)} \right) \ln \frac{P_2}{P_1} \quad (۱)$$

$$\Delta s = R (\gamma)(\delta) \ln \frac{P_2}{P_1} \quad (۴) \quad \Delta s = R \left(\frac{\delta - \gamma}{(\gamma - 1)} \right) \ln \frac{P_2}{P_1} \quad (۳)$$

۶۹- مقدار ضریب ژول - تامسون گاز طبیعی:

- (۱) به دمای بالادست جریان بستگی دارد.
(۲) همواره صفر است.
(۳) همواره منفی است.
(۴) همواره مثبت است.

۷۰- گازی از معادله $P(V - b) = RT$ پیروی می کند. این گاز در طی فرایند اختناق:

- (۱) بستگی به فشار بالادست دارد.
(۲) تغییر دما نمی دهد.
(۳) سرد می شود.
(۴) گرم می شود.

۷۱- برای به دست آوردن ضرایب a و b در معادله حالت واندر والس، از کدام رابطه استفاده می شود؟

$$(1) \left(\frac{\partial H}{\partial T}\right)_{T,C} = 0, \left(\frac{\partial^2 H}{\partial T^2}\right)_{P,C} = 0$$

$$(2) \left(\frac{\partial P}{\partial V}\right)_{V,C} = 0, \left(\frac{\partial^2 P}{\partial T^2}\right)_{V,C} = 0$$

$$(3) \left(\frac{\partial V}{\partial P}\right)_{T,C} = 0, \left(\frac{\partial^2 V}{\partial P^2}\right)_{T,C} = 0$$

$$(4) \left(\frac{\partial P}{\partial V}\right)_{T,C} = 0, \left(\frac{\partial^2 P}{\partial V^2}\right)_{T,C} = 0$$

۷۲- در یک فرایند بی دررو، گازی با آنتالپی $\frac{kJ}{kg}$ ۲۵۷۴ وارد یک نازل شده و با آنتالپی $\frac{kJ}{kg}$ ۲۵۵۴ از آن خارج می شود.

سرعت خروجی گاز در واحد $\frac{m}{s}$ ، کدام است؟

(۱) ۱۴۰

(۲) ۲۰۰

(۳) ۲۵۰

(۴) ۴۰۰

۷۳- تفاوت چرخه کارنو با چرخه رانکین، کدام است؟

- (۱) تولید بخار فوق گرم در دیگ بخار و میعان کامل در مرحله سرد کردن
(۲) تولید بخار فوق گرم در دیگ بخار و میعان جزئی در مرحله سرد کردن
(۳) تولید بخار اشباع در دیگ بخار و میعان کامل در مرحله سرد کردن
(۴) تولید بخار اشباع در دیگ بخار و میعان جزئی در مرحله سرد کردن

۷۴- اگر معادله فوگاسیته یک گاز خالص $f = P + \alpha P^2$ باشد، کدام یک از معادلات زیر صحیح است؟

$$(1) \frac{PV}{RT} = 1 + \frac{\alpha P}{1 + \alpha P}$$

$$(2) \frac{PV}{RT} = 1 + \frac{\alpha P}{1 + \alpha P}$$

$$(3) \frac{PV}{RT} = 1 - \frac{\alpha P}{1 + \alpha P}$$

$$(4) \frac{PV}{RT} = 1 - \frac{\alpha^2 P}{1 + \alpha P}$$

۷۵- در فرایند اختلاط یک محلول ایدئال، کدام تابع ترمودینامیکی تغییر می‌کند؟

- (۱) آنتروپی (۲) آنتالپی (۳) انرژی داخلی (۴) حجم مخصوص

۷۶- فشار بخار ماده‌ای در شرایط عملیاتی یک فرایند در 70°C و 1atm ، 3psia است و ثابت تعادل را می‌توان از

قانون رانولت محاسبه نمود. کسر مولی این ماده در فاز بخار چقدر خواهد بود؟ (کسر مولی ماده در فاز مایع 0.2 است)

(۱) 0.41

(۲) 0.62

(۳) 0.452

(۴) 0.525

۷۷- کدام یک از روابط زیر برای خواص ترمودینامیک فاز مایع صحیح است؟ (β ضریب انبساط می‌باشد).

(۱) $dH = C_p dT + (1 + \beta T) V dP$

(۲) $dV = C_v dT + (\beta T - P) dV$

(۳) $\left(\frac{\partial H}{\partial P}\right)_T = (1 - \beta T) V$

(۴) $dS = \frac{C_v}{T} dT - \frac{\beta}{K} dV$

۷۸- در مورد راندمان حرارتی سیکل هوایی استاندارد اتو، گزینه صحیح کدام است؟

(۱) راندمان حرارتی مستقل از نسبت تراکم می‌باشد.

(۲) راندمان حرارتی با افزایش نسبت تراکم کاهش می‌یابد.

(۳) راندمان حرارتی رابطه مستقیم با نسبت تراکم ندارد.

(۴) راندمان حرارتی با افزایش نسبت تراکم افزایش می‌یابد.

۷۹- اگر M ، \bar{M}_i و M_i به ترتیب خاصیت مولی یک محلول، خاصیت مولی جزئی و خاصیت مولی یک ماده خالص

باشد، کدام یک از موارد زیر صحیح است؟

(۱) $dM = \sum \bar{M}_i dx_i$

(۲) $\bar{M}_i = \left[\frac{\partial (nM_i)}{\partial n_i} \right]_{T, P, n_j}$

(۳) $M = \sum x_i M_i$

(۴) $\sum x_i d\bar{M}_i = \left(\frac{\partial M}{\partial P}\right)_{T, x} dP + \left(\frac{\partial M}{\partial T}\right)_{P, x} dT$

۸۰- در صورتی که برای یک مخلوط مایع دوجزئی داشته باشیم: $(0.2x_1 + 0.3x_2)x_1x_2$ ، مقدار $\ln \gamma_1^{\infty}$ چقدر

پیش‌بینی می‌شود؟

(۱) 0.2

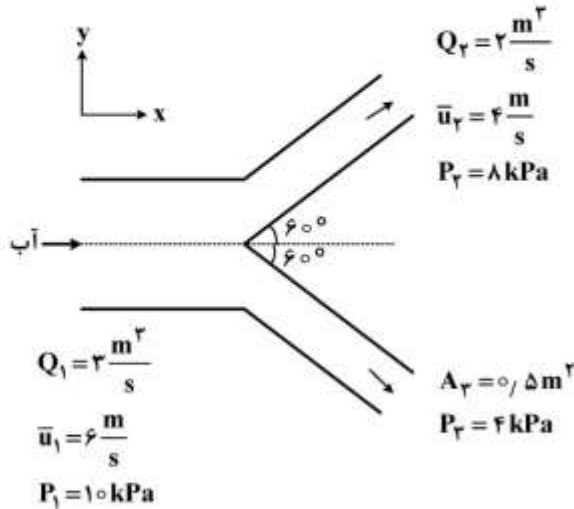
(۲) 0.7

(۳) 0.3

(۴) 0.8

مکانیک سیالات و انتقال حرارت:

۸۱- مقدار و جهت نیروی F_x مورد نیاز برای ثابت نگه داشتن اتصال افقی نشان داده شده در شکل زیر، کدام است؟



- (۱) 13 kN به سمت چپ
(۲) 13 kN به سمت راست
(۳) 15 kN به سمت چپ
(۴) 15 kN به سمت راست

۸۲- کدام بردار سرعت می تواند بیانگر جریان آب باشد؟

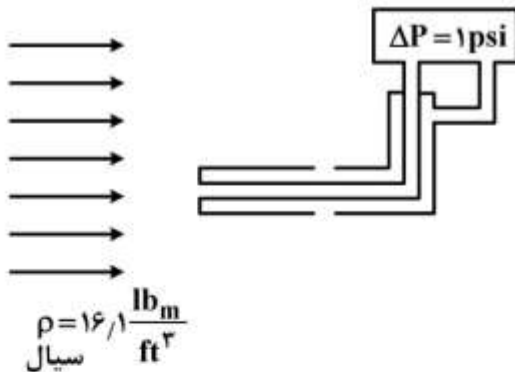
(۱) $\vec{v} = (4x + y)\hat{i} + (\Delta y + 6x)\hat{j} + (6x - 9z)\hat{k}$

(۲) $\vec{v} = (2x + 2)\hat{i} + (3y + 1)\hat{j} + (-4z + \Delta)\hat{k}$

(۳) $\vec{v} = (2x + 2)\hat{i} + (-4z + \Delta)\hat{j} + (3y + 1)\hat{k}$

(۴) $\vec{v} = (\Delta y + 6x)\hat{i} + (4x + y)\hat{j} + (6x - 9z)\hat{k}$

۸۳- با توجه به شکل روبه رو، سرعت سیال چند فوت بر ثانیه است؟



- (۱) ۲
(۲) ۴
(۳) ۱۲
(۴) ۲۴

۸۴- گشتاور مورد نیاز برای چرخاندن دیسک با شعاع R با سرعت زاویه ای Ω بر روی صفحه ای ثابت در شرایط پایا، از

کدام رابطه به دست می آید؟ فاصله بین دیسک و صفحه ثابت (h) توسط لایه نازکی از روغن نیوتنی پوشیده شده

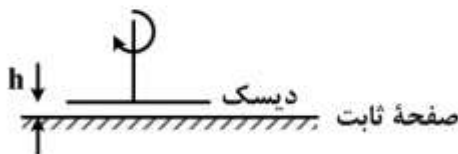
است. $h \ll R$.

(۱) $\frac{2\pi\Omega R^4}{h}$

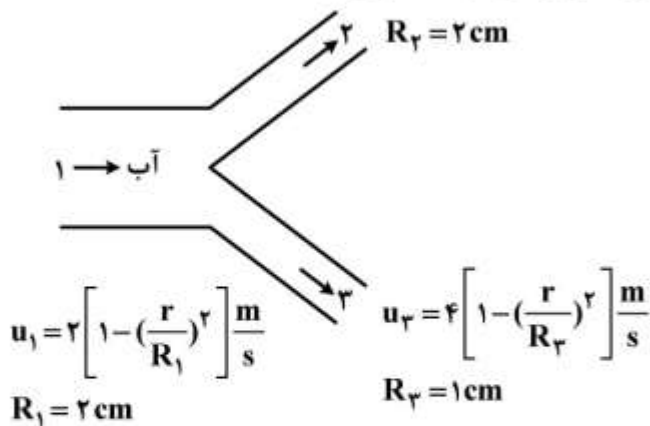
(۲) $\frac{\pi\Omega R^4}{2h}$

(۳) $\frac{2\pi\Omega R^3}{2h}$

(۴) $\frac{2\pi\Omega R^3}{2h}$



۸۵- مقدار سرعت ماکزیمم آب، در مقطع ۲ شکل زیر با فرض جریان آرام، چند متر بر ثانیه است؟



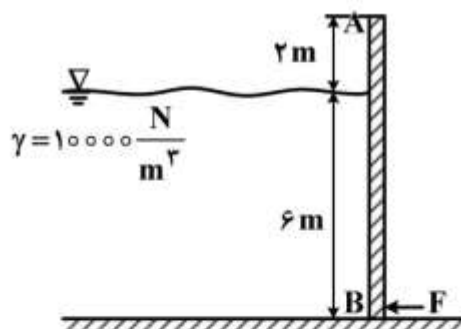
- (۱) ۰٫۵
(۲) ۱
(۳) ۱٫۵
(۴) ۲

۸۶- آب از طریق یک لوله با قطر ۳۶ سانتی‌متر و طول ۷/۲ متر بین دو مخزن که سطح آزاد آنها با یکدیگر ۴۵ متر اختلاف دارد، منتقل می‌شود. اگر ضریب اصطکاک مودی را ۰٫۰۵ در نظر بگیریم، سرعت آب درون لوله چند متر بر ثانیه است؟

$$g = 10 \frac{m}{s^2}$$

- (۱) ۱۰٫۴
(۲) ۲۱٫۲
(۳) ۳۰
(۴) ۴۰

۸۷- مقدار نیروی F مورد نیاز برای بسته‌نگه‌داشتن دریچه AB به عرض نیم متر که در محل A لولا شده، چند نیوتن است؟



- (۱) ۳۳۷۵۰
(۲) ۴۵۰۰۰
(۳) ۶۷۵۰۰
(۴) ۹۰۰۰۰

۸۸- افت فشار درون یک خط لوله به مشخصات خط لوله (طول، قطر و زبری)، خواص سیال (چگالی و ویسکوزیته) و نیز سرعت سیال وابسته است. کدام دسته متغیرها می‌توانند به‌عنوان متغیرهای تکراری در تعیین گروه‌های بدون بعد حاکم بر مسئله به‌کاربرده شوند؟

- (۱) سرعت سیال، ویسکوزیته سیال و افت فشار
(۲) سرعت سیال، چگالی سیال و قطر خط لوله
(۳) قطر و زبری لوله به همراه سرعت سیال
(۴) قطر خط لوله، ویسکوزیته سیال و افت فشار

۸۹- اگر برای مانومتری که جهت اندازه‌گیری اختلاف فشار اطراف اریفیس نصب شده درون یک خط لوله، از آب به‌عنوان سیال مانومتر استفاده شود، اختلاف ارتفاع ۲ اینچ و اگر از سیالی دیگر استفاده نماییم، اختلاف ارتفاع ۱

اینچ در درون ساق‌های مانومتر مشاهده می‌شود. وزن مخصوص سیال دوم چند $\frac{\text{lb}_f}{\text{ft}^3}$ است؟

$$g = 32.2 \frac{\text{ft}}{\text{s}^2} \quad \rho_{\text{H}_2\text{O}} = 62.4 \frac{\text{lb}_m}{\text{ft}^3}$$

(۱) ۱۲۴/۸

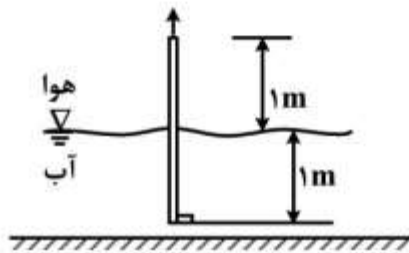
(۲) ۱۲۴۸/۴

(۳) ۲۵۶۳/۲

(۴) ۴۰۱۸/۶

۹۰- توان پمپی که زیر استخر آبی با ارتفاع آب ۱ متر نصب شده و می‌بایست آب را با دبی ۵ لیتر در ثانیه از درون لوله‌ای با ارتفاع ۲ متر از کف استخر با سرعت ۴ متر بر ثانیه به هوا پرتاب نماید، چند وات است؟ میزان افت فشار اصطکاکی درون لوله و پمپ را مجموعاً ۰/۵ متر آب و ضریب اصلاح انرژی جنبشی را برای جریان آشفته ۱/۱ در

نظر بگیرید. $g = 10 \frac{\text{m}}{\text{s}^2}$



(۱) ۶۹

(۲) ۹۰

(۳) ۱۱۵

(۴) ۱۱۹

۹۱- مقدار انتقال حرارت از یک پره حرارتی با سطح مقطع ثابت یک سانتی‌متر مربع و سطح جانبی ۳۰ سانتی-

مترمربع برابر ۲ وات است. در صورتی که ضریب هدایت حرارتی برای این پره $40 \frac{\text{W}}{\text{m}^{\circ}\text{C}}$ باشد، گرادیان دما در نقطه

اتصال پره به دیواره گرم، چند $\frac{^{\circ}\text{C}}{\text{m}}$ است؟

(۱) -۵۰۰

(۲) -۵۰

(۳) -۲۵

(۴) -۲/۵

۹۲- یک کره گرم در هوا قرار دارد. برای کاهش اتلاف گرمایی آن را با ماده‌ای عایقی که ضریب هدایت حرارتی آن k

است، عایق پیچی می‌کنیم. ضریب جابه‌جایی حرارت برابر h است. شعاع بحرانی عایق پیچی کدام است؟

(۱) $\frac{k}{h}$

(۲) $\frac{2k}{h}$

(۳) $\frac{4k}{h}$

(۴) $\frac{5k}{h}$

۹۳- آنالوژی رینولدز - کولبرن در انتقال حرارت جابه‌جایی روی سطح صاف به کدام یک از صورت‌های زیر بیان می‌شود؟

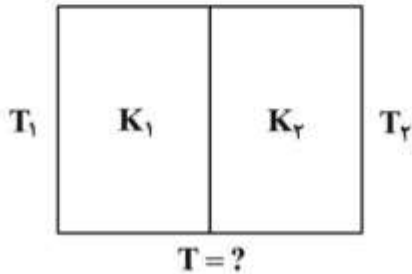
$$\text{StPr}^{\frac{1}{3}} = \frac{f}{\gamma} \quad (1)$$

$$\text{StPr}^{\frac{1}{3}} = \frac{C_f}{\gamma} \quad (2)$$

$$\text{St} = \frac{f}{\gamma} \quad (3)$$

$$\text{St} = \frac{C_f}{\gamma} \quad (4)$$

۹۴- دیواره مرکبی از دو دیواره مسطح و مشابه تشکیل شده است. ضریب هدایتی یک دیواره K_1 و دیگری K_2 و رابطه $K_1 = 4K_2$ بین آن‌ها برقرار است. اگر در حالت پایدار دمای دو طرف دیواره T_1 و T_2 باشد، دمای فصل مشترک دو دیواره، کدام است؟



$$\frac{1}{5}(4T_2 + T_1) \quad (1)$$

$$\frac{1}{5}(4T_1 + T_2) \quad (2)$$

$$\frac{1}{3}(4T_1 + 4T_2) \quad (3)$$

$$\frac{1}{2}(T_1 + T_2) \quad (4)$$

۹۵- یک کره توپر آلومینیومی به قطر ۵cm و درجه حرارت یکنواخت 400°C از کوره‌ای خارج و در ظرف محتوی 500kg آب 20°C قرار داده می‌شود تا سرد شود و درجه حرارت آن به 30°C برسد. زمان لازم برای سرد شدن کره τ_1 فرض می‌شود. اگر کره آلومینیومی به جای سرد شدن در آب، در هوای آزاد 20°C سرد شود و زمان سرد شدن کره τ_2 فرض شود، کدام گزینه در مورد زمان سرد شدن در این دو حالت، صحیح است؟

$$\tau_1 = \tau_2 \quad (1)$$

$$\tau_1 = 2\tau_2 \quad (2)$$

$$\tau_1 < \tau_2 \quad (3)$$

$$\tau_1 > \tau_2 \quad (4)$$

۹۶- در انتقال حرارت با مکانیسم هدایت در حالت دوبعدی و پایا، چنانچه چشمه حرارتی برابر $\frac{W}{x^3}$ ، ضریب هدایتی $k = 20 \frac{W}{m^\circ\text{C}}$ و $\frac{\partial^2 T}{\partial y^2} = 50$ باشد، مقدار $\frac{\partial^2 T}{\partial x^2}$ در واحد $\frac{^\circ\text{C}}{m^2}$ ، کدام است؟

$$-120 \quad (1)$$

$$-100 \quad (2)$$

$$+100 \quad (3)$$

$$+120 \quad (4)$$

۹۷- برای جریان هوا در یک شرایط خاص روی یک صفحه، توزیع دما در لایه مرزی عبارت است از

$$\frac{T - T_W}{T_\infty - T_W} = 1 - \exp\left(-\frac{Pr U_\infty y}{\nu}\right)$$

که در آن p_r : عدد پرانتل، ν : ویسکوزیته سینماتیکی، T_W : دمای سطح، T_∞ : دمای سیال، U_∞ : سرعت سیال و y فاصله نقطه از روی صفحه عمود بر جهت جریان می‌باشد. رابطه ناسلت برای جریان فوق، کدام است؟

$$Nu = \frac{Pr U_\infty}{\nu} \quad (1)$$

$$Nu = \frac{Pr U_\infty x^{\frac{1}{2}}}{\nu} \quad (2)$$

$$Nu = \frac{Pr U_\infty x}{\nu} \quad (3)$$

$$Nu = \frac{Pr \nu}{U_\infty x} \quad (4)$$

۹۸- ضریب انتقال حرارت چگالش فیلمی نسبت به چگالش قطره‌ای چگونه است؟

$$(1) \text{ قطره‌ای } < h_{\text{فیلمی}} \quad (2) \text{ قطره‌ای } > h_{\text{فیلمی}} \quad (3) \text{ قطره‌ای } = h_{\text{فیلمی}} \quad (4) \text{ قطره‌ای } \leq h_{\text{فیلمی}}$$

۹۹- دو صفحه بسیار بزرگ و سیاه در دو دمای متفاوت به یکدیگر تابش می‌کنند. با قراردادن یک سپر تشعشعی سیاه

و بزرگ بین دو صفحه، میزان انتقال حرارت میان دو صفحه چه تغییری می‌کند؟

(۱) تغییری نمی‌کند. (۲) یک چهارم می‌شود. (۳) دو برابر می‌شود. (۴) نصف می‌شود.

۱۰۰- در یک مبدل حرارتی در حال کار برای ازدیاد تبادل حرارت بین سیال سرد و گرم، باید کدام یک از اعداد بدون بعد

زیاد شود؟

(۱) Gr و Re (۲) Pr و Re (۳) Re (۴) Pr

مدارهای الکتریکی (۱ و ۲):

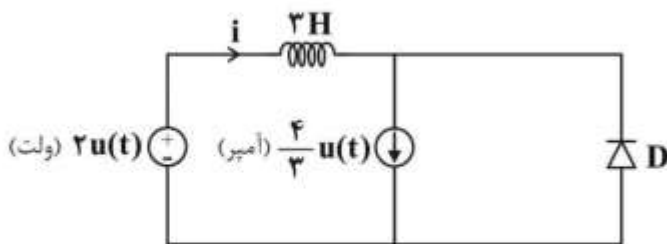
۱۰۱- در مدار زیر، سلف دارای حالت اولیه صفر و دیود D ایدئال است. جریان i گذرنده از سلف برای $t > 2s$ ، چند آمپر است؟

(۱) ۰

$$\frac{2}{3}t \quad (2)$$

$$\frac{4}{3} \quad (3)$$

$$\frac{4}{3} - \frac{2}{3}t \quad (4)$$



۱۰۲- در مدار زیر $V_s(t) = V_m \cos(10t + \theta)$ است. برای اینکه جریان i_L هیچ‌گونه پاسخ گذرایی نداشته باشد، باید

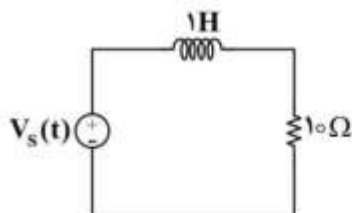
θ چند درجه باشد؟

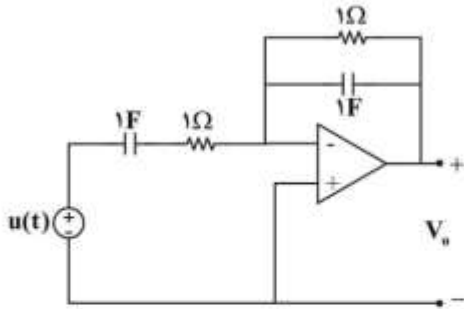
$$-45 \quad (1)$$

$$-30 \quad (2)$$

$$+30 \quad (3)$$

$$+45 \quad (4)$$

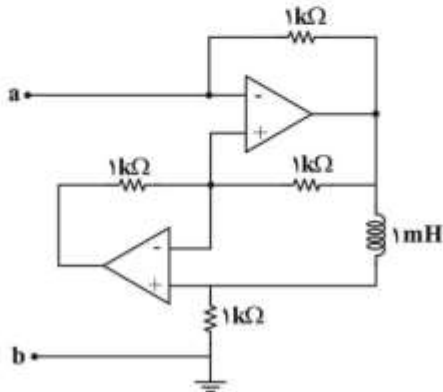




۱۰۳- پاسخ پلته $V_o(t)$ مدار زیر، کدام است؟

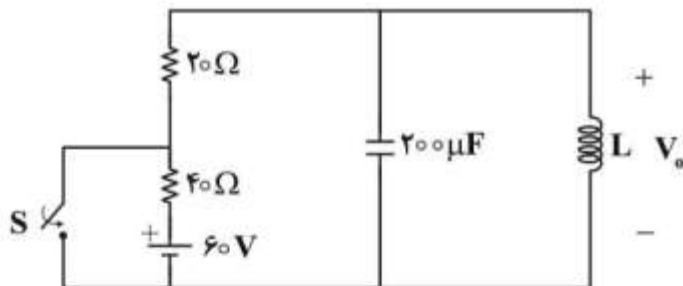
- (۱) $-te^{-t}u(t)$
- (۲) $\delta(t) - te^{-t}u(t)$
- (۳) $-2te^{-t}u(t)$
- (۴) $\delta(t) + 2te^{-t}u(t)$

۱۰۴- در مدار زیر، تقویت کننده‌های عملیاتی ایدئال هستند. مدار معادل دیده شده از سرهای a و b، کدام است؟



- (۱) خازن با ظرفیت $1\mu F$
- (۲) خازن با ظرفیت $1nF$
- (۳) سلف با اندوکتانس $1mH$
- (۴) سلف با اندوکتانس $1\mu H$

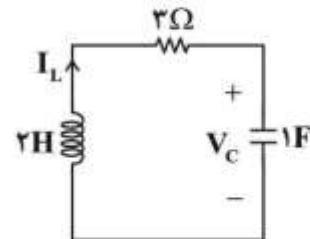
۱۰۵- در مدار زیر کلید S در لحظه $t = 0$ بسته می‌شود. L بر حسب هانری چقدر باشد تا $V_o(t)$ برای $t > 0$ ، میرای



بحرانی باشد؟

- (۱) $0,08$
- (۲) $0,04$
- (۳) $0,16$
- (۴) $0,32$

۱۰۶- در مدار زیر برای اینکه در پاسخ ورودی صفر $V_C(t)$ ، تنها یک فرکانس طبیعی ظاهر شود، $I_L(0)$ چند آمپر باشد؟ $V_C(0) = 10$ ولت است.



- (۱) -15
- (۲) -5
- (۳) 0
- (۴) 10

۱۰۷- پاسخ ضربه یک مدار خطی تغییرناپذیر با زمان $h(t) = \frac{1}{2}(u(t) - u(t-2))$ است. پاسخ این مدار به ورودی

$x(t) = \begin{cases} \sin t & 0 \leq t < 2\pi \\ 0 & \text{سایر مقادیر} \end{cases}$ در فاصله $2 < t < 2\pi$ ، کدام است؟

- (۱) $\frac{1}{2} \cos(t)$
- (۲) $\frac{1}{2}(1 - \cos(t))$
- (۳) $\frac{1}{2}(\cos(t-2) - 1)$
- (۴) $\frac{1}{2}(\cos(t-2) - \cos(t))$

۱۰۸- معادلات حالت مداری به فرم $\dot{X} = AX + BU$ است. اگر ماتریس A به صورت $A = \begin{bmatrix} -۳ & ۳ \\ -۱ & -۵ \end{bmatrix}$ باشد، پاسخ

ضریب مدار به چه صورتی می‌تواند باشد؟

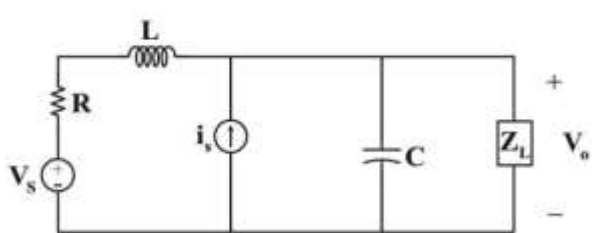
(۲) $Ae^{-\epsilon t} + tBe^{-\epsilon t}$

(۱) $Ae^{-\epsilon t} + Be^{-\epsilon t}$

(۴) $e^{-\epsilon t}(A \cos \sqrt{2} t + B \sin \sqrt{2} t)$

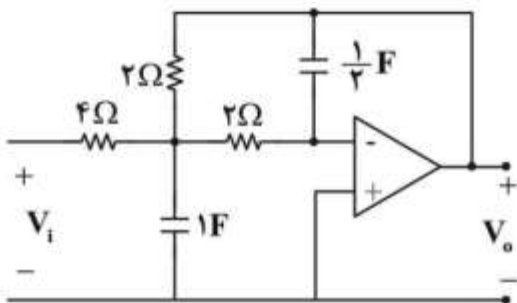
(۳) $e^{-\sqrt{2} t}(A \cos \epsilon t + B \sin \epsilon t)$

۱۰۹- در مدار زیر، امپدانس Z_L حداکثر توان متوسط را دریافت می‌کند. مقدار V_0 چند ولت است؟



$V_s(t) = 200 \cos 10^4 t$	ولت	$\frac{10}{\sqrt{2}}$	(۱)
$i_s(t) = 10 \cos(10^4 t + \frac{\pi}{2})$	آمپر	۱۰	(۲)
$R = 10 \Omega$		$\frac{100}{\sqrt{2}}$	(۳)
$L = 1 \text{ mH}$		۱۰۰	(۴)
$C = 10 \mu\text{F}$			

۱۱۰- مدار زیر با تابع تبدیل شبکه $H(j\omega) = \frac{V_0}{V_i}$ مانند کدام فیلتر رفتار می‌کند؟



- (۱) بالاگذر
- (۲) پایین‌گذر
- (۳) میان‌گذر
- (۴) میان‌نگذر

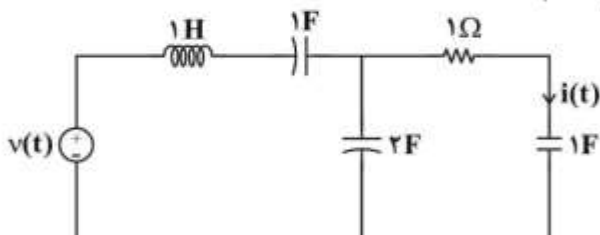
۱۱۱- ماتریس تلاقی مختصر شده برای گراف جهت‌دار یک مدار به صورت زیر است:

	۱	۲	۳	۴	۵	۶	۷
شماره شاخه	۱	۱	۰	۰	۰	۰	۰
	-۱	۰	۱	۰	۰	۰	۱
	۰	-۱	-۱	۰	-۱	۱	۰
	۰	۰	۰	۱	۰	۰	۰

ولتاژ کدام شاخه این مدار قابل محاسبه بر حسب ولتاژ سایر شاخه‌ها نیست؟

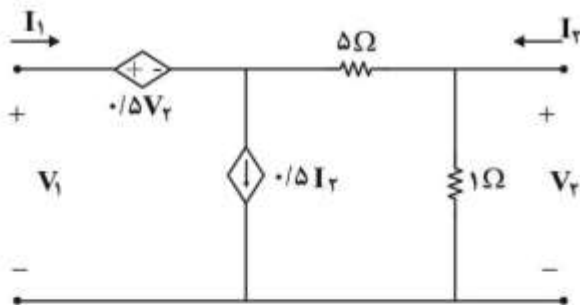
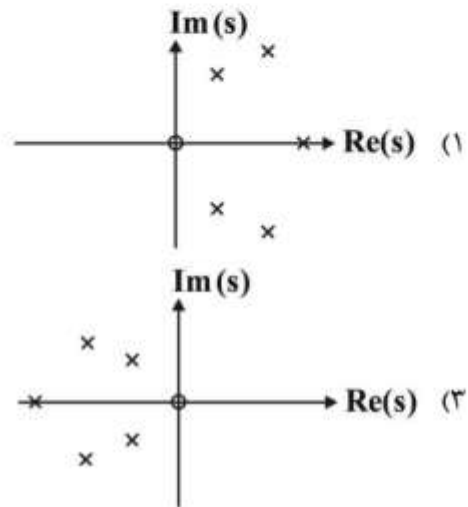
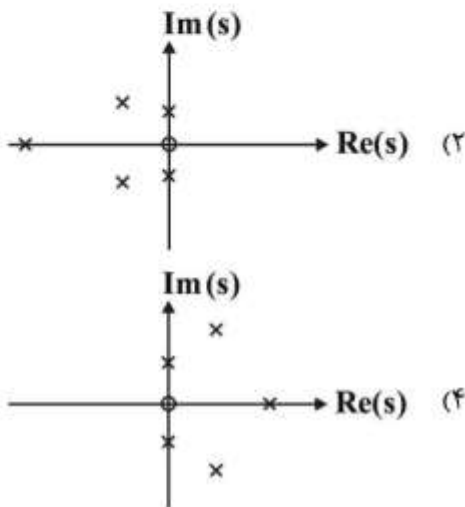
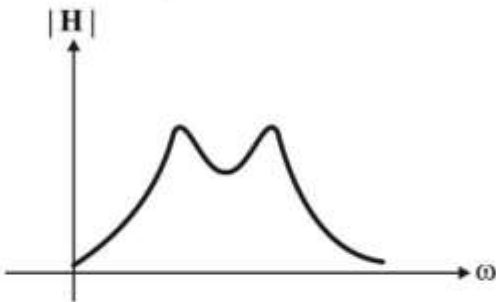
- (۱) شاخه‌های ۲ و ۳
- (۲) شاخه‌های ۵ و ۶
- (۳) شاخه ۴
- (۴) شاخه ۱

۱۱۲- در تابع شبکه $H(s) = \frac{I(s)}{V(s)}$ ، تعداد قطب‌های شبکه برابر کدام است؟



- (۱) سه قطب که هیچ‌کدام در فرکانس صفر نمی‌باشد.
- (۲) سه قطب که حداقل یکی در فرکانس صفر است.
- (۳) چهار قطب که هیچ‌کدام در فرکانس صفر نمی‌باشد.
- (۴) چهار قطب که حداقل یکی در فرکانس صفر است.

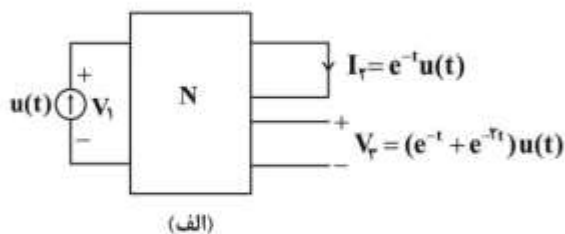
۱۱۳- منحنی اندازه تابع یک شبکه به شکل روبه‌رو است. دیاگرام صفر و قطب مربوط به این تابع، کدام می‌تواند باشد؟



۱۱۴- در مدار دوقطبی زیر، پارامتر هیبرید h_{12} کدام است؟

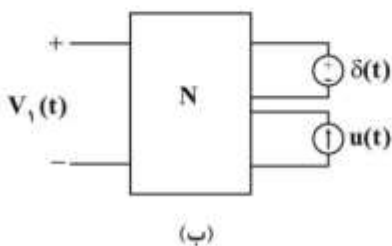
- (۱) $-3/5$
- (۲) -2
- (۳) $1/5$
- (۴) 3

۱۱۵- نتایج یک آزمایش بر روی سه‌قطبی N در شکل (الف) داده شده است (پاسخ‌های حالت صفر). در آزمایش شکل



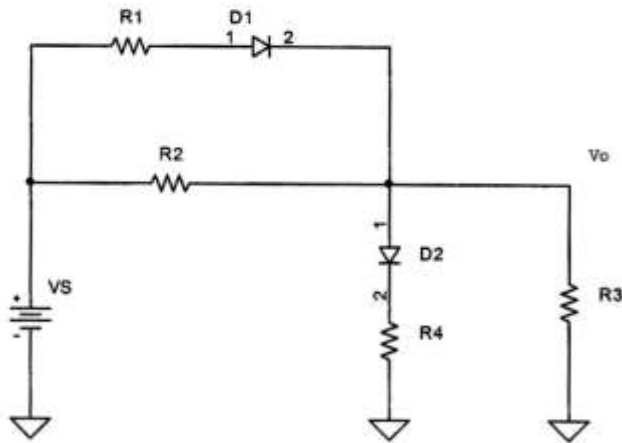
(ب) ولتاژ $V_1(t)$ برای $t > 0$ کدام است؟

- (۱) $e^{-2t} - \delta(t)$
- (۲) $e^{-2t} + \delta(t)$
- (۳) $e^{-t} - e^{-2t} + \delta(t)$
- (۴) $e^{-t} - \delta(t)$



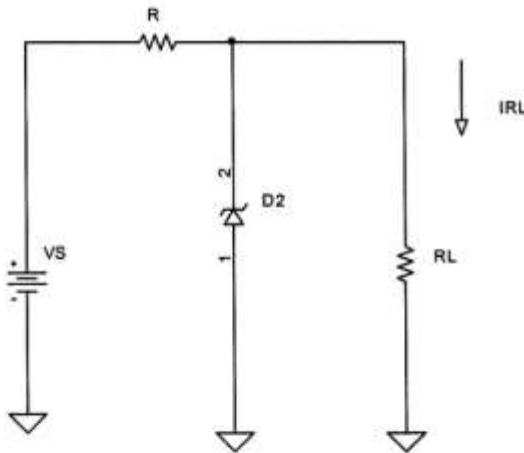
الکترونیک (۲۰۱):

۱۱۶- در مدار زیر، $R_1 = 2k\Omega$ و $R_2 = 4k\Omega$ ، $R_3 = 500\Omega$ ، $R_4 = 1k\Omega$ و برای دیودها: $r_f = 0\Omega$ و $V_f = 0.7V$ است. حداقل ولتاژ V_S (برحسب ولت) برای آنکه هر دو دیود هدایت نمایند، به کدام یک از مقادیر زیر نزدیک تر است؟



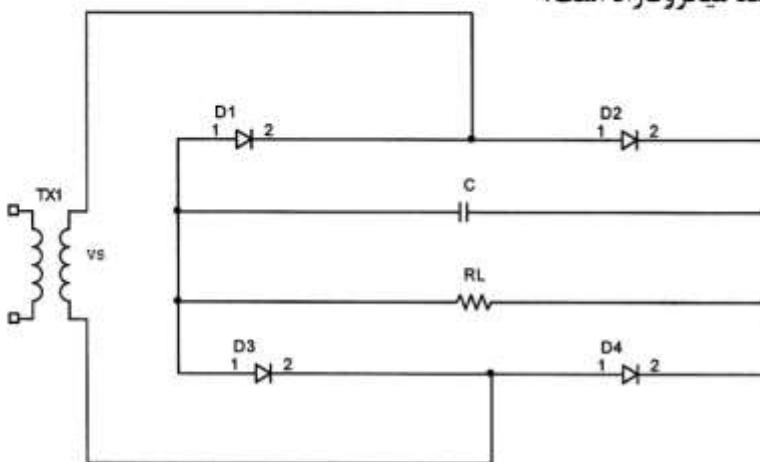
- ۳/۰ (۱)
- ۳/۵ (۲)
- ۴/۰ (۳)
- ۴/۵ (۴)

۱۱۷- در مدار زیر ولتاژ V_S بین $6/8$ الی $7/4$ ولت تغییر می کند و $R = 15\Omega$ است. چنانچه حداقل جریان مورد نیاز زینر 10 میلی آمپر و ظرفیت جریان زینر 100 میلی آمپر باشد، حداقل و حداکثر جریان بار I_{RL} به میلی آمپر کدام است؟ برای زینر $V_Z = 5V$ و $R_Z = 0$ فرض شوند.



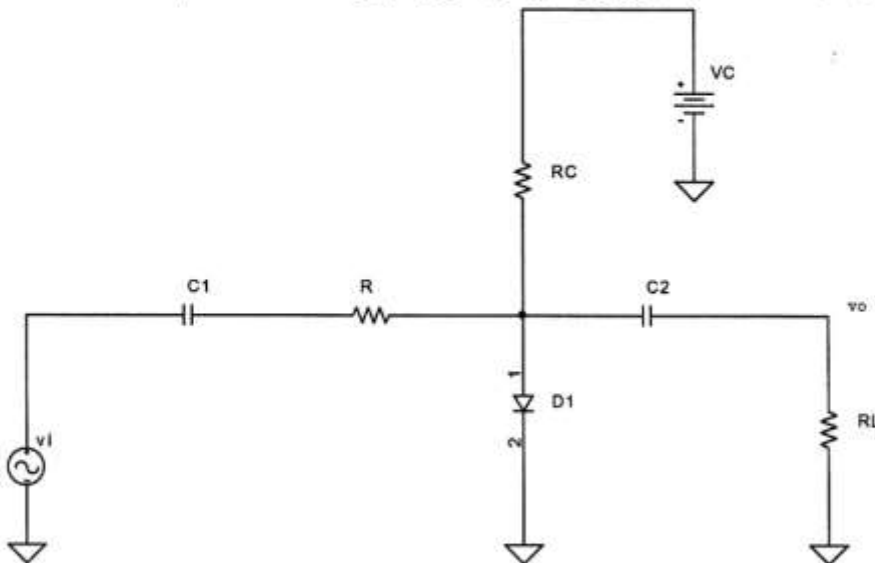
- ۵ الی ۱۳۵ (۱)
- ۱۰ الی ۱۴۰ (۲)
- ۲۰ الی ۱۵۰ (۳)
- ۱۵ الی ۱۴۵ (۴)

۱۱۸- در شکل زیر دامنه ولتاژ ثانویه ترانسفرمر $V_S = 40V$ ، فرکانس برق شهر $f = 50Hz$ ، مقاومت بار $R_L = 2k\Omega$ و ولتاژ روشن دیودها $V_{D(on)} = 0.7V$ است. چنانچه دامنه قله به قله ولتاژ ریبِل (ripple) ولتاژ بار $3V$ باشد، حداقل خازن C مورد نیاز چند میکروفاراد است؟



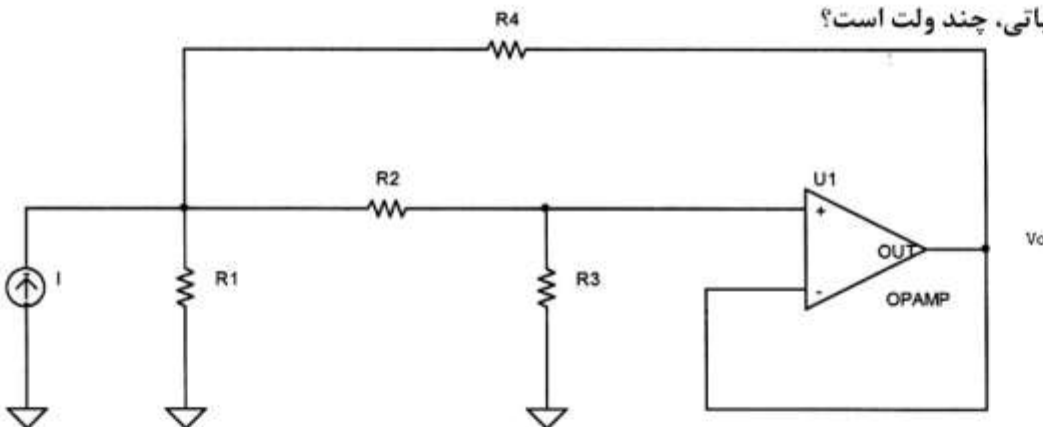
- ۵۴ (۱)
- ۶۴ (۲)
- ۷۴ (۳)
- ۸۴ (۴)

۱۱۹- در مدار زیر $V_C = 1.5V$ ، $R = 200\Omega$ ، $R_L = 200\Omega$ و $RC = 2.5k\Omega$ و برای دیود $\eta = 1$ ، $V_T = 0.25V$ و $V_{D(on)} = 0.6V$ است. با فرض بزرگ بودن خازن‌ها، بهره v_o / v_i ، کدام است؟



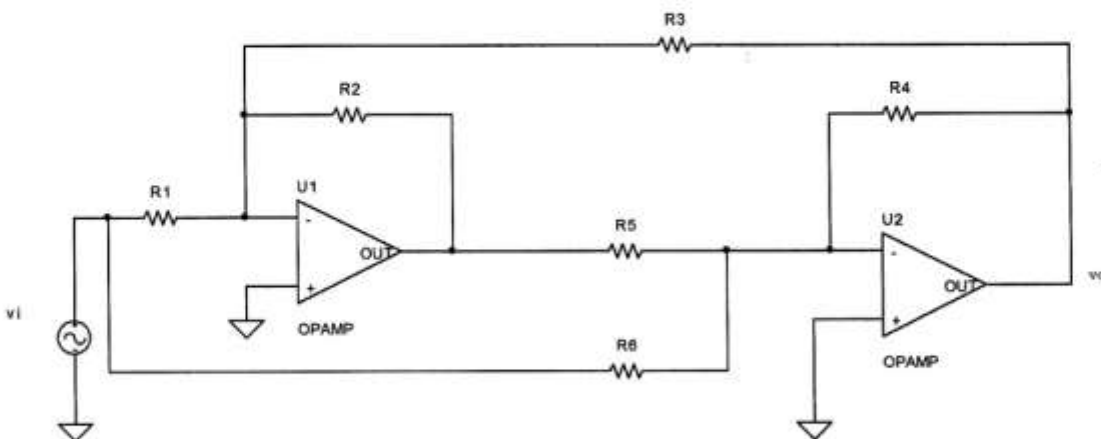
- (۱) ۰/۱
- (۲) ۰/۲
- (۳) ۰/۴
- (۴) ۰/۵

۱۲۰- در شکل زیر $I = 4mA$ ، $R_1 = 2k\Omega$ و $R_2 = 6k\Omega$ ، $R_3 = 6k\Omega$ ، $R_4 = 12k\Omega$ است. ولتاژ V_o در خروجی تقویت‌کننده عملیاتی، چند ولت است؟



- (۱) ۱/۳۶
- (۲) ۲/۳۶
- (۳) ۳/۳۶
- (۴) ۴/۳۶

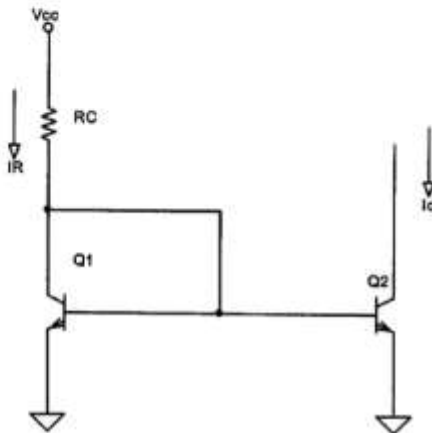
۱۲۱- در مدار زیر که از دو تقویت‌کننده عملیاتی استفاده می‌شود $R_1 = R_3 = R_4 = R_5 = 1k\Omega$ و $R_2 = R_6 = 500\Omega$ است. بهره v_o / v_i این مدار، کدام است؟



- (۱) -۳
- (۲) +۲
- (۳) -۲/۵
- (۴) +۳/۵

۱۲۲- در مدار زیر $V_{cc} = 10V$ ، $RC = 50k\Omega$ ، ترانزیستورها مشابه و $V_{be} = 0.7V$ است. چنانچه بهره‌های جریان β ترانزیستورها به صورت هم‌زمان از ۲۰ تا ۱۸۵ تغییر کند، نسبت تغییرات جریان خروجی این مدار به مقدار

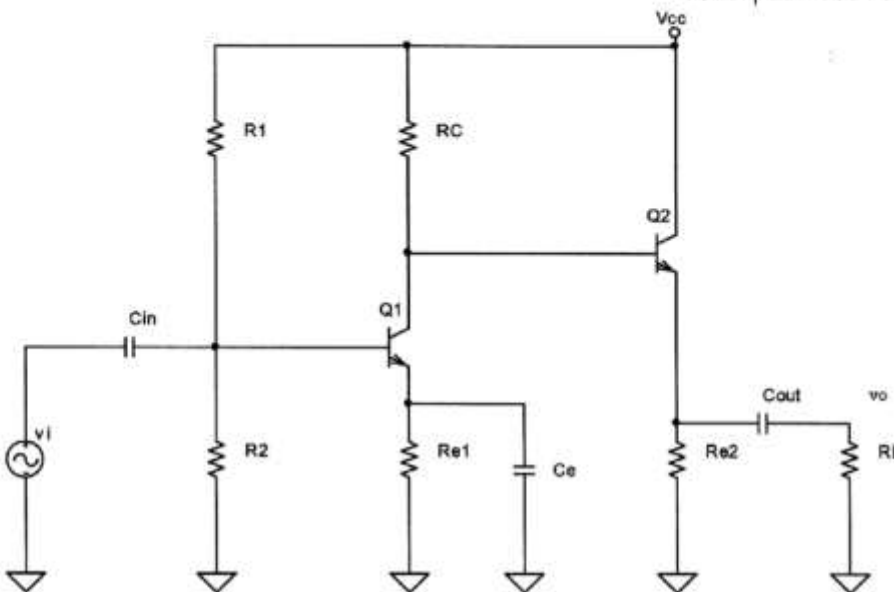
جریان مرجع I_R کدام است؟



- (۱) ۰٫۰۲
- (۲) ۰٫۰۴
- (۳) ۰٫۰۶
- (۴) ۰٫۰۸

۱۲۳- در مدار زیر $RL = 10\Omega$ و $R1 = 22k\Omega$ ، $R2 = 3.3k\Omega$ ، $RC = 1.5k\Omega$ ، $Re1 = 220\Omega$ ، $Re2 = 1.5k\Omega$ است. برای ترانزیستورها $V_{be} = 0.7V$ ، $\beta1 = 200$ و $\beta2 = 100$ در نظر گرفته شود. V_{cc} برابر با ۱۲V است. با

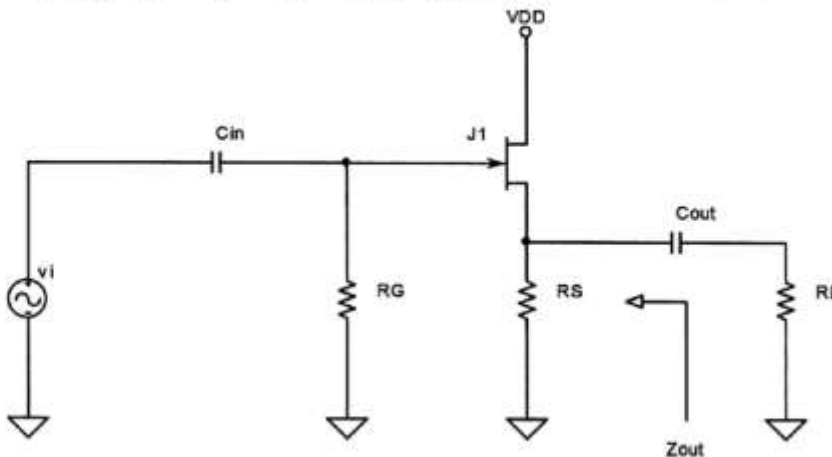
فرض بزرگ بودن خازن‌ها، بهره v_o/v_i کدام است؟



- (۱) ۷۰
- (۲) ۹۰
- (۳) ۱۱۰
- (۴) ۱۳۰

۱۲۴- در مدار زیر $V_{DD} = 12V$ ، $RL = 2.2k\Omega$ ، $RS = 330\Omega$ و $RG = 2M\Omega$ و برای ترانزیستور $V_{GS(off)} = -8V$ و $IDSS = 15mA$ است. با فرض بزرگ بودن خازن‌ها امپدانس خروجی Z_{out}

این مدار چند اهم است؟

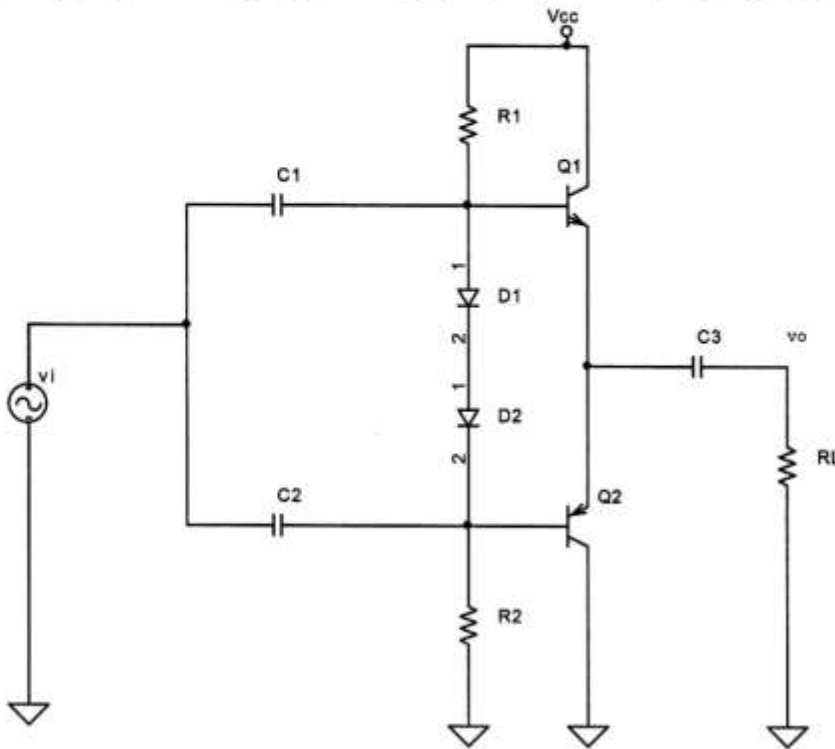


- (۱) ۱۲۷
- (۲) ۱۵۷
- (۳) ۱۷۷
- (۴) ۲۰۷

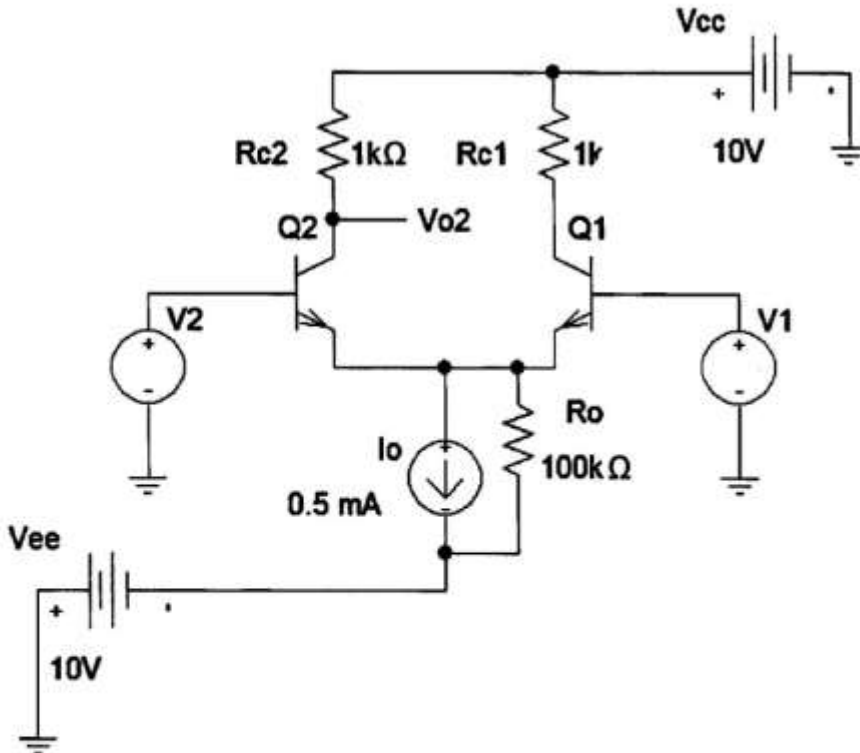
۱۲۵- در مدار زیر $V_{cc} = 24V$ ، $R_L = 8\Omega$ و $R_1 = R_2 = 2.7k\Omega$ است. دامنه ولتاژ ورودی v_i را به گونه‌ای تنظیم می‌کنیم که توان تلف‌شده در ترانزیستورهای قدرت حداکثر شود. در این حالت توان دریافت‌شده از منبع تغذیه

چند وات است؟

- (۱) ۵/۳
- (۲) ۶/۳
- (۳) ۷/۳
- (۴) ۸/۳



۱۲۶- CMRR برای خروجی V_{o2} در شکل زیر نزدیک به کدام یک از گزینه‌های زیر است؟
(Q1 و Q2 مشابه هستند.)



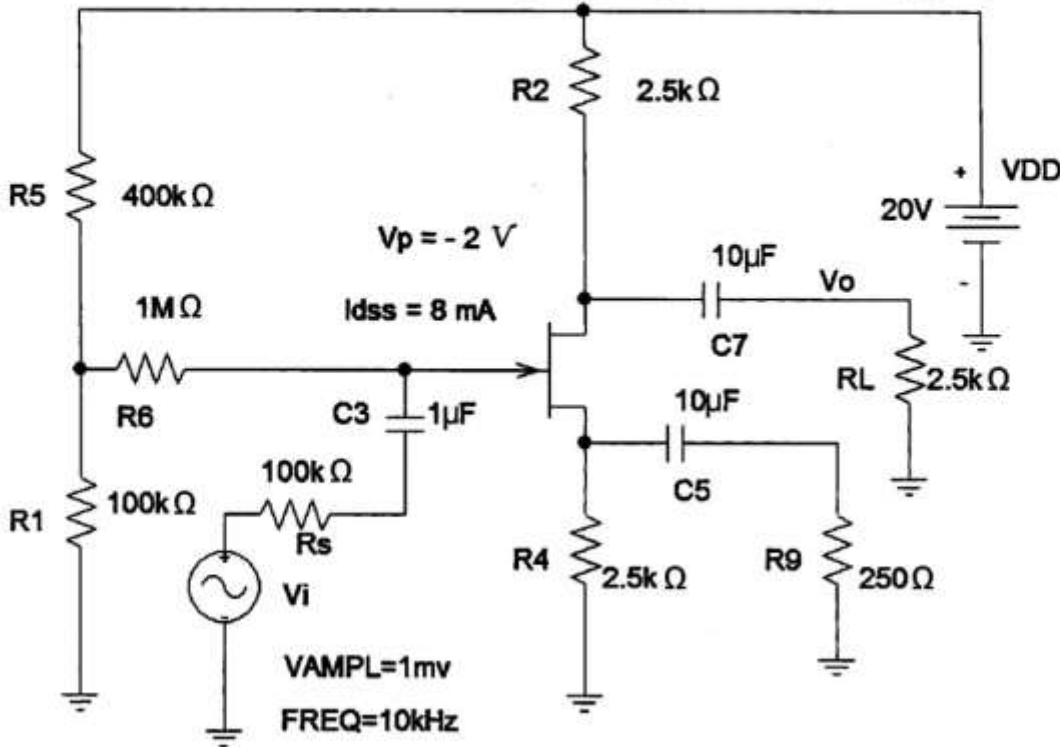
(۴) ۲۵۰۰

(۳) ۲۰۰۰

(۲) ۱۵۰۰

(۱) ۱۰۰۰

۱۲۷- بهره و ولتاژ V_o/V_i در مدار زیر، کدام است؟ (rds بزرگ فرض شود)

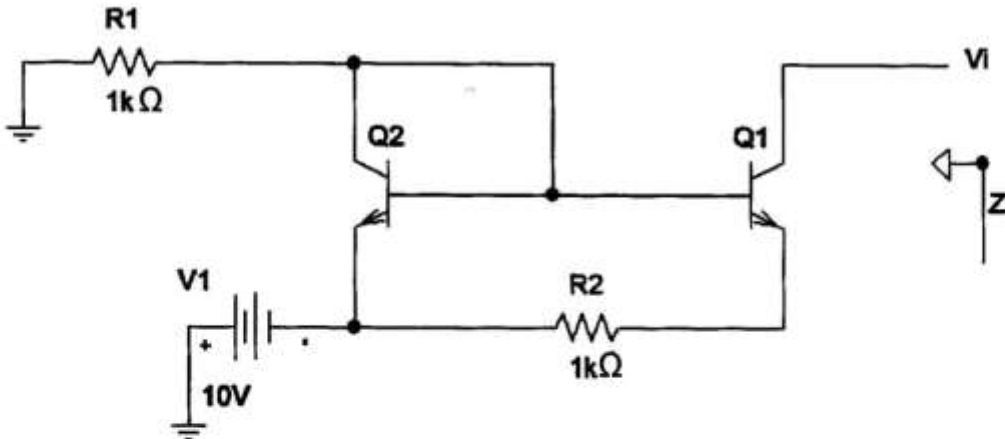


- (۱) $-5/4$
- (۲) $-4/4$
- (۳) $-3/4$
- (۴) $-2/4$

۱۲۸- امیدانس دینامیکی Z_o در شکل زیر، چند مگا اهم است؟

$hie1 = hie2 = 1k$
 $hoe1 = hoe2 = 1/100k$
 $hfe1 = hfe2 = 100$
 $hre1 = hre2 = 0$

- (۱) ۲
- (۲) ۳
- (۳) ۴
- (۴) ۵

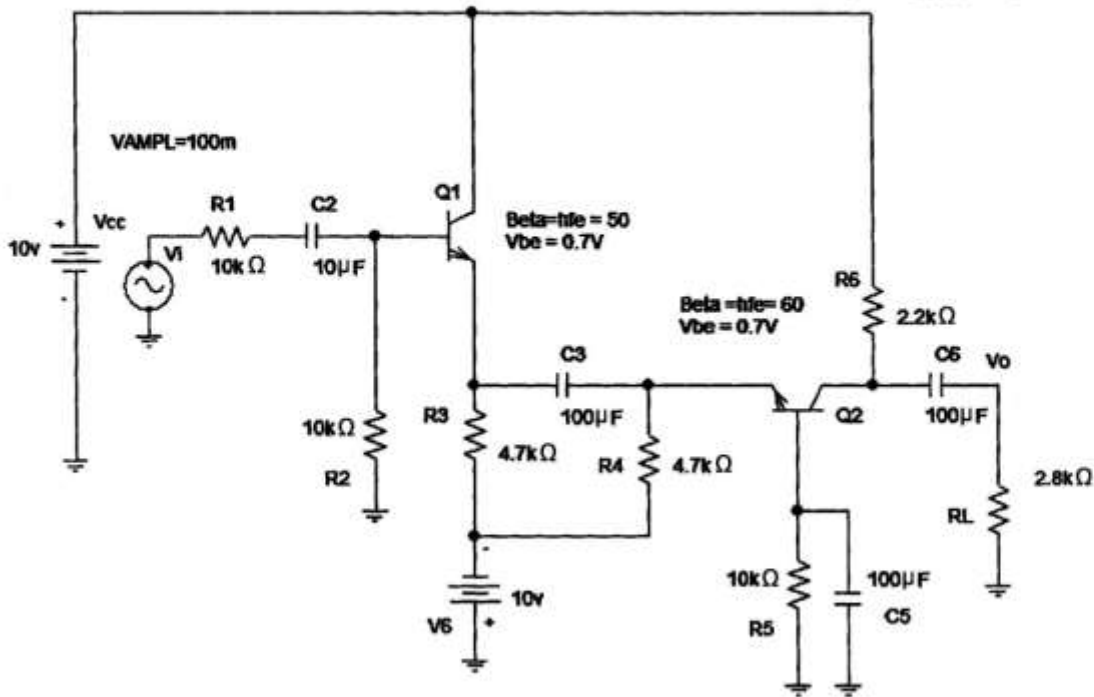


۱۲۹- مشخصات ترانزیستوری که توسط سازنده آن ارائه شده $P_D(max) = 20W$ در $25^\circ C$ بدنه، $P_D(max) = 2.5W$ در $25^\circ C$ محیط و $T_j(max) = 200^\circ C$ است. مقاومت حرارتی بدنه به محیط R_{CA} این

ترانزیستور، چند $^\circ C/W^{-1}$ است؟

- (۱) ۹
- (۲) ۶۱
- (۳) ۷۲
- (۴) ۸۰

۱۳۰- بهره و ولتاژ V_o/V_i در مدار زیر، کدام است؟



- (۱) $3/2$
- (۲) $4/7$
- (۳) $6/8$
- (۴) $7/8$